

State of West Virginia
Department of Environmental Protection - Office of Oil and Gas
Well Operator's Report of Well Work

API 47-009-00208 County BROOKE District BUFFALO
Quad BETHANY Pad Name KATHY MAYHEW BRK PAD Field/Pool Name PANHANDLE FIELD WET
Farm name KATHY LYNN & MICHAEL MAYHEW, ET AL Well Number KATHY MAYHEW BRK 201H
Operator (as registered with the OOG) SWN PRODUCTION COMPANY, LLC
Address PO BOX 12359 City SPRING State TX Zip 77391-2359

As Drilled location NAD 83/UTM Attach an as-drilled plat, profile view, and deviation survey
Top hole Northing 4449168.94 Easting 532116.75
Landing Point of Curve Northing 4449283.59 Easting 531568.45
Bottom Hole Northing 4453710.29 Easting 529602.63

Elevation (ft) 1,281.2' GL Type of Well New Existing Type of Report Interim Final
Permit Type Deviated Horizontal Horizontal 6A Vertical Depth Type Deep Shallow
Type of Operation Convert Deepen Drill Plug Back Redrilling Rework Stimulate
Well Type Brine Disposal CBM Gas Oil Secondary Recovery Solution Mining Storage Other _____
Type of Completion Single Multiple Fluids Produced Brine Gas NGL Oil Other _____
Drilled with Cable Rotary

Drilling Media Surface hole Air Mud Fresh Water Intermediate hole Air Mud Fresh Water Brine
Production hole Air Mud Fresh Water Brine

Mud Type(s) and Additive(s)
SOBM

RECEIVED
Office of Oil and Gas
JAN 28 2020

WV Department of Environmental Protection
Date permit issued 6/5/2019 Date drilling commenced 8/20/2019 Date drilling ceased 9/2/2019
Date completion activities began 10/04/2019 Date completion activities ceased 11/20/2019
Verbal plugging (Y/N) N Date permission granted N/A Granted by N/A

Please note: Operator is required to submit a plugging application within 5 days of verbal permission to plug

Freshwater depth(s) ft 370' Open mine(s) (Y/N) depths N
Salt water depth(s) ft 622' Void(s) encountered (Y/N) depths N
Coal depth(s) ft 454' Cavern(s) encountered (Y/N) depths N
Is coal being mined in area (Y/N) N

C. R. H.
5-11-20

Reviewed by: _____

API 47-009 - 00208 Farm name KATHY LYNN & MICHAEL MAYHEW, ET AL Well number KATHY MAYHEW BRK 201H

CASING STRINGS	Hole Size	Casing Size	Depth	New or Used	Grade wt/ft	Basket Depth(s)	Did cement circulate (Y/ N) * Provide details below*
Conductor	24	20	126	NEW	J-55/94#		Y
Surface	17.5	13.375	529	NEW	J-55/54.50#	364.2; 322.5	Y, 20 BBLS
Coal	SEE SURFACE						
Intermediate 1	12.25	9.625	1798	NEW	J-55/36#		Y, 25 BBLS
Intermediate 2							
Intermediate 3							
Production	8.75/8.50	5.5	22518	NEW	HCP-110/20#		Y,
Tubing		2.875	6509	NEW	P-110/6.50#		N
Packer type and depth set							

Comment Details _____

CEMENT DATA	Class/Type of Cement	Number of Sacks	Slurry wt (ppg)	Yield (ft ³ /sks)	Volume (ft ³)	Cement Top (MD)	WOC (hrs)
Conductor	CLASS A	GROUT TO SURFACE				SURFACE	24
Surface	CLASS A	517	15.60	1.20	620.4	SURFACE	8
Coal	SEE SURFACE						
Intermediate 1	CLASS A	721	15.60	1.19	857.99	SURFACE	8
Intermediate 2							
Intermediate 3							
Production	CLASS A	4,137	15.60	1.19	4,923.03	SURFACE	24
Tubing							

Drillers TD (ft) 22,518' Loggers TD (ft) 22,518'
 Deepest formation penetrated Marcellus Shale Plug back to (ft) N/A
 Plug back procedure N/A

Kick off depth (ft) 5,717'

Check all wireline logs run caliper density deviated/directional induction
 neutron resistivity gamma ray temperature sonic

Well cored Yes No Conventional Sidewall Were cuttings collected Yes No

DESCRIBE THE CENTRALIZER PLACEMENT USED FOR EACH CASING STRING _____

SURFACE: 7 CENTRALIZERS - EVERY THIRD JOINT OF CASING

INTERMEDIATE: 24 CENTRALIZERS - EVERY THIRD JOINT OF CASING

PRODUCTION: 181 CENTRALIZERS - EVERY THIRD JOINT FROM SURFACE TO TOP OF CURVE, THEN EVERY JOINT UNTIL TD

WAS WELL COMPLETED AS SHOT HOLE Yes No DETAILS _____

WAS WELL COMPLETED OPEN HOLE? Yes No DETAILS _____

WERE TRACERS USED Yes No TYPE OF TRACER(S) USED _____

API 47-009 - 00208 Farm name KATHY LYNN & MICHAEL MAYHEW, ET AL Well number KATHY MAYHEW BRK 201H

PERFORATION RECORD

Stage No.	Perforation date	Perforated from MD ft.	Perforated to MD ft.	Number of Perforations	Formation(s)
	SEE	ATTACHMEN ^{ts}	1		

Please insert additional pages as applicable.

STIMULATION INFORMATION PER STAGE

Complete a separate record for each stimulation stage.

Stage No.	Stimulations Date	Ave Pump Rate (BPM)	Ave Treatment Pressure (PSI)	Max Breakdown Pressure (PSI)	ISIP (PSI)	Amount of Proppant (lbs)	Amount of Water (bbls)	Amount of Nitrogen/other (units)
		SEE	ATTACHMEN ^{ts}	2				

RECEIVED
Office of Oil and Gas
JAN 28 2010
Mississippi Department of
Environmental Protection

Please insert additional pages as applicable.

API 47- 009 - 00208 Farm name KATHY LYNN & MICHAEL MAYHEW, ET AL Well number KATHY MAYHEW BRK 201H

<u>PRODUCING FORMATION(S)</u>	<u>DEPTHS</u>		
MARCELLUS	5,951'	TVD	6,360' MD
_____	_____	_____	_____
_____	_____	_____	_____
_____	_____	_____	_____

Please insert additional pages as applicable.

GAS TEST Build up Drawdown Open Flow OIL TEST Flow Pump

SHUT-IN PRESSURE Surface 871 psi Bottom Hole _____ psi DURATION OF TEST _____ hrs

OPEN FLOW Gas 2,685 mcfpd Oil 679 bpd NGL _____ bpd Water 1,848 bpd GAS MEASURED BY Estimated Orifice Pilot

LITHOLOGY/ FORMATION	TOP DEPTH IN FT NAME TVD	BOTTOM DEPTH IN FT TVD	TOP DEPTH IN FT MD	BOTTOM DEPTH IN FT MD	DESCRIBE ROCK TYPE AND RECORD QUANTITY AND TYPE OF FLUID (FRESHWATER, BRINE, OIL, GAS, H ₂ S, ETC)
	0		0		
	SEE	ATTACHMENT	3		

RECEIVED
Office of Oil and Gas
JAN 28 2020
WV Department of
Environmental Protection

Please insert additional pages as applicable.

Drilling Contractor SWN DRILLING COMPANY
Address PO BOX 12359 City SPRING State TX Zip 77391-2359

Logging Company BAKER HUGHES
Address 9110 GROGANS MILL ROAD City THE WOODLANDS State TX Zip 77380

Cementing Company SCHLUMBERGER WELL SERVICES
Address 1080 US-33 City WESTON State WV Zip 26452

Stimulating Company SWN WELL SERVICES
Address PO BOX 12359 City SPRING State TX Zip 77391

Please insert additional pages as applicable.

Completed by BOBBY WILLIS Telephone 832-796-2884
Signature [Signature] Title SENIOR REGULATORY ANALYST Date 1/27/2020

Submission of Hydraulic Fracturing Chemical Disclosure Information Attach copy of FRACFOCUS Registry

Hydraulic Fracturing Fluid Product Component Information Disclosure

Job Start Date:	10/4/2019
Job End Date:	10/27/2019
State:	West Virginia
County:	Brooke
API Number:	47-009-00208-00-00
Operator Name:	Southwestern Energy
Well Name and Number:	Kathy Mayhew BRK 201
Latitude:	40.19229732
Longitude:	-80.62268798
Datum:	NAD83
Federal Well:	NO
Indian Well:	NO
True Vertical Depth:	5,894
Total Base Water Volume (gal):	23,694,096
Total Base Non Water Volume:	0

RECEIVED
Office of Oil and Gas

JAN 28 2020

WV Department of
Environmental Protection



Hydraulic Fracturing Fluid Composition:

Trade Name	Supplier	Purpose	Ingredients	Chemical Abstract Service Number (CAS #)	Maximum Ingredient Concentration in Additive (% by mass)**	Maximum Ingredient Concentration in HF Fluid (% by mass)**	Comments
Econo-CI200	SWN Well Services	Corrosion Inhibitor					
				Listed Below			
SCAL 16486A	Nalco	Scale Inhibitor					
				Listed Below			

BIOC11219A	Nalco	Biocide									
HCL	SWN Well Services	Solvent						Listed Below			
SWN FRW-11LC	SWN Well Services	Friction Reducer						Listed Below			
Ecopol-FEAC	SWN Well Services	Iron Control						Listed Below			
Base Water	Operator	Base Fluid									
Sand	SWN Well Services	Proppant						Listed Below			
								Listed Below			
Items above are Trade Names with the exception of Base Water . Items below are the individual ingredients.											
								7732-18-5	100.00000	85.90175	Density = 8.345
								Water			
								Crystalline Silica, quartz	100.00000	13.58971	
								Water	85.00000	0.39231	
								Hydrochloric Acid	15.00000	0.05726	
								Petroleum Distillates, Hydrotreated	25.00000	0.02303	
								Methanol	60.00000	0.01543	
								Benzyl-(C12-C16 Alky)-Dimethyl-Ammonium	30.00000	0.00772	
								Chloride Glutaraldehyde	10.00000	0.00257	

RECEIVED
 Office of Oil and Gas
 JAN 28 2020
 WV Department of
 Environmental Protection

RECEIVED Office of Oil and Gas									
JAN 28 2010									
U.S. Department of Environmental Protection									
	Ethylene glycol	107-21-1	30.00000	0.00190					
	Amine Triphosphate	Proprietary	30.00000	0.00190					
	Ammonium Chloride	12125-02-9	2.00000	0.00184					
	Alcohols, C12-1, ethoxylated	68551-12-2	1.50000	0.00138					
	Oleic Acid	93-83-4	1.50000	0.00138					
	Diethanolamide	64-19-7	37.50000	0.00076					
	Acetic Acid	67-56-1	80.00000	0.00047					
	Methanol	77-92-9	22.50000	0.00046					
	Citric Acid	68951-67-7	9.67400	0.00006					
	Oxyalkylated fatty acid	61790-12-3	5.02700	0.00003					
	Fatty acids	68527-49-1	4.74600	0.00003					
	Modified thiourea polymer	127-08-2	0.02200	0.00000					
	Potassium acetate	50-00-0	0.00400	0.00000					
	Formaldehyde								

* Total Water Volume sources may include various types of water including fresh water, produced water, and recycled water

** Information is based on the maximum potential for concentration and thus the total may be over 100%

*** If you are calculating a percentage of total ingredients do not add the water volume below the green line to the water volume above the green line

Note: For Field Development Products (products that begin with FDP), MSDS level only information has been provided. Ingredient information for chemicals subject to 29 CFR 1910.1200(i) and Appendix D are obtained from suppliers Material Safety Data Sheets (MSDS)

**KATHY MAYHEW BRK 201H
ATTACHMENT 1
PERF REPORT**

STAGE NUM	Perf Date	Perf Top MD	Perf Bottom MD	# SHOTS PER STG
1	9/29/2019	22,434	22,343	36
2	10/5/2019	22,293	22,127	36
3	10/26/2019	22,100	21,919	36
4	10/6/2019	21,885	21,706	36
5	10/6/2019	21,673	21,494	36
6	10/7/2019	21,457	21,281	36
7	10/7/2019	21,248	21,069	36
8	10/7/2019	21,036	20,857	36
9	10/8/2019	20,823	20,642	36
10	10/9/2019	20,614	20,432	36
11	10/9/2019	20,398	20,219	36
12	10/9/2019	20,186	20,005	36
13	10/10/2019	19,975	19,795	36
14	10/13/2019	19,761	19,582	36
15	10/14/2019	19,549	19,370	36
16	10/14/2019	19,336	19,162	36
17	10/14/2019	19,124	18,945	36
18	10/14/2019	18,909	18,733	36
19	10/15/2019	18,699	18,520	36
20	10/15/2019	18,487	18,310	36
21	10/15/2019	18,274	18,095	36
22	10/15/2019	18,060	17,883	36
23	10/15/2019	17,850	17,671	36
24	10/16/2019	17,637	17,458	36
25	10/16/2019	17,425	17,244	36
26	10/16/2019	17,207	17,033	36
27	10/17/2019	17,000	16,821	36
28	10/17/2019	16,788	16,609	36
29	10/17/2019	16,575	16,396	36
30	10/17/2019	16,363	16,184	36
31	10/18/2019	16,150	15,971	36
32	10/18/2019	15,938	15,759	36
33	10/18/2019	15,724	15,547	36
34	10/18/2019	15,513	15,333	36
35	10/19/2019	15,304	15,122	36
36	10/19/2019	15,093	14,909	36
37	10/19/2019	14,876	14,697	36
38	10/19/2019	14,664	14,485	36
39	10/19/2019	14,451	14,272	36
40	10/20/2019	14,239	14,060	36
41	10/20/2019	14,026	13,847	36
42	10/20/2019	13,814	13,635	36
43	10/20/2019	13,602	13,423	36

RECEIVED
Office of Oil and Gas

JAN 28 2020

WV Department of
Environmental Protection

**KATHY MAYHEW BRK 201H
ATTACHMENT 1
PERF REPORT**

STAGE NUM	Perf Date	Perf Top MD	Perf Bottom MD	# SHOTS PER STG
44	10/21/2019	13,389	13,209	36
45	10/21/2019	13,177	12,998	36
46	10/21/2019	12,964	12,785	36
47	10/21/2019	12,752	12,573	36
48	10/21/2019	12,538	12,361	36
49	10/22/2019	12,327	12,148	36
50	10/22/2019	12,115	11,938	36
51	10/22/2019	11,902	11,723	36
52	10/22/2019	11,688	11,511	36
53	10/22/2019	11,478	11,299	36
54	10/22/2019	11,265	11,086	36
55	10/23/2019	11,053	10,874	36
56	10/23/2019	10,840	10,661	36
57	10/23/2019	10,628	10,449	36
58	10/23/2019	10,416	10,237	36
59	10/23/2019	10,203	10,024	36
60	10/24/2019	9,991	9,812	36
61	10/24/2019	9,778	9,601	36
62	10/24/2019	9,566	9,387	36
63	10/24/2019	9,354	9,175	36
64	10/25/2019	9,141	8,962	36
65	10/25/2019	8,929	8,750	36
66	10/25/2019	8,716	8,537	36
67	10/25/2019	8,499	8,325	36
68	10/25/2019	8,290	8,116	30
69	10/26/2019	8,079	7,900	36
70	10/26/2019	7,867	7,688	36
71	10/26/2019	7,654	7,475	36
72	10/26/2019	7,442	7,263	36
73	10/26/2019	7,230	7,051	36
74	10/27/2019	7,017	6,838	36
75	10/27/2019	6,805	6,631	36
76	10/27/2019	6,594	6,413	36

RECEIVED
Office of Oil and Gas

JAN 28 2020

WV Department of
Environmental Protection

KATHY MAYHEW BRK 201H
ATTACHMENT 2
STIM REPORT

STAGE NUM	Stim Date	Ave Pump Rate (BPM)	Ave Treatment	Max Breakdown	ISIP (PSI)	Amount of Proppant (lbs)	Amount of water bbls	Amount of nitrogen/othe
1	10/4/2019	50	7,918	9,205	3,393	241,792	9,199	0
2	10/5/2019	77	8,117	6,155	3,911	421,014	9,137	0
3	10/6/2019	86	8,142	5,385	4,291	422,022	8,451	0
4	10/6/2019	79	7,538	2,149	3,926	419,295	8,368	0
5	10/6/2019	91	8,074	5,129	4,316	420,829	8,489	0
6	10/7/2019	87	8,033	4,978	4,120	421,410	8,436	0
7	10/7/2019	91	8,098	5,898	4,316	417,253	9,235	0
8	10/8/2019	91	8,215	5,403	4,282	417,765	8,647	0
9	10/9/2019	86	8,336	4,713	4,113	419,882	8,156	0
10	10/9/2019	90	7,908	5,286	4,069	421,495	8,516	0
11	10/9/2019	92	8,024	4,738	4,278	420,657	7,869	0
12	10/10/2019	85	8,159	4,620	4,206	418,848	8,119	0
13	10/10/2019	19	6,083	5,608	6,475	0	4,402	0
14	10/13/2019	80	8,248	7,201	4,210	411,580	7,142	0
15	10/14/2019	86	7,951	5,552	4,123	423,770	7,988	0
16	10/14/2019	87	7,965	5,181	4,172	420,384	7,883	0
17	10/14/2019	90	8,290	4,989	4,725	414,372	7,169	0
18	10/15/2019	91	8,435	5,390	4,541	419,194	7,339	0
19	10/15/2019	86	8,229	5,149	4,101	414,426	7,175	0
20	10/15/2019	89	7,873	5,721	4,237	417,260	7,492	0
21	10/15/2019	83	8,145	5,197	4,497	412,177	7,515	0
22	10/15/2019	94	8,187	4,591	4,073	416,975	7,148	0
23	10/16/2019	90	8,241	4,966	4,185	420,745	7,155	0
24	10/16/2019	86	7,105	5,204	4,044	421,311	8,031	0
25	10/16/2019	93	7,985	5,144	4,131	419,073	7,900	0
26	10/17/2019	96	7,979	5,505	4,245	420,858	7,354	0
27	10/17/2019	89	7,760	5,346	4,157	421,386	7,370	0
28	10/17/2019	89	7,905	5,546	4,103	416,176	8,111	0
29	10/17/2019	96	7,745	5,481	4,658	419,732	7,945	0
30	10/18/2019	96	7,236	5,526	4,279	420,999	7,318	0
31	10/18/2019	90	7,627	5,436	4,160	419,598	6,987	0
32	10/18/2019	91	7,715	5,120	4,072	414,710	7,391	0
33	10/18/2019	95	7,653	5,543	3,906	413,458	7,475	0
34	10/18/2019	92	8,020	5,307	4,295	419,907	7,412	0
35	10/19/2019	95	7,801	5,245	4,160	420,110	7,516	0
36	10/19/2019	83	8,055	5,118	4,129	411,776	7,290	0
37	10/19/2019	92	7,386	5,180	4,213	423,568	7,328	0
38	10/19/2019	83	8,086	5,580	4,279	421,948	7,352	0
39	10/19/2019	97	7,434	5,189	4,397	419,675	7,214	0
40	10/20/2019	96	7,728	4,839	4,439	419,961	7,221	0
41	10/20/2019	92	7,258	5,120	4,177	420,327	7,196	0
42	10/20/2019	88	7,436	5,142	4,474	422,373	7,279	0
43	10/20/2019	95	7,315	5,120	4,386	419,769	7,258	0
44	10/21/2019	76	7,448	5,018	4,238	421,393	7,447	0
45	10/21/2019	90	6,832	5,201	4,142	421,446	6,777	0
46	10/21/2019	89	6,908	5,178	4,170	422,703	7,008	0
47	10/21/2019	87	7,392	5,126	4,235	420,260	6,926	0
48	10/21/2019	97	7,108	4,832	4,382	421,086	7,038	0
49	10/22/2019	96	7,204	5,320	4,203	422,060	7,059	0
50	10/22/2019	90	6,826	5,021	4,137	420,083	7,140	0
51	10/22/2019	93	6,627	5,114	4,133	416,527	7,361	0
52	10/22/2019	90	6,785	5,173	4,176	420,432	7,128	0
53	10/22/2019	97	6,976	4,895	4,488	410,783	7,167	0

RECEIVED
Office of Oil and Gas

JAN 28 2020

WV Department of
Environmental Protection

KATHY MAYHEW BRK 201H

ATTACHMENT 2

STIM REPORT

STAGE NUM	Stim Date	Ave Pump Rate (BPM)	Ave Treatment	Max Breakdown	ISIP (PSI)	Amount of Proppant (lbs)	Amount of water bbls	Amount of nitrogen/othe
54	10/23/2019	96	6,885	4,873	4,444	419,875	7,216	0
55	10/23/2019	86	7,574	5,035	4,013	421,568	7,115	0
56	10/23/2019	90	6,875	5,426	4,168	420,660	7,158	0
57	10/23/2019	91	6,620	5,230	4,214	417,040	7,163	0
58	10/23/2019	93	6,840	4,774	4,340	420,567	6,928	0
59	10/23/2019	93	6,954	5,785	4,541	421,833	6,735	0
60	10/24/2019	95	6,984	5,265	4,561	421,833	7,372	0
61	10/24/2019	92	6,598	5,312	4,308	421,737	7,130	0
62	10/24/2019	90	6,720	5,416	4,201	419,456	7,113	0
63	10/24/2019	59	7,569	5,654	4,468	423,284	8,164	0
64	10/25/2019	95	6,930	5,408	4,468	411,850	7,064	0
65	10/25/2019	91	6,286	5,292	4,380	420,244	7,101	0
66	10/25/2019	93	6,401	5,301	4,272	418,062	7,218	0
67	10/25/2019	94	6,373	5,164	4,579	424,361	6,686	0
68	10/26/2019	93	7,049	5,324	4,314	419,825	7,301	0
69	10/26/2019	96	6,487	5,430	4,303	423,355	7,266	0
70	10/26/2019	91	6,523	5,562	4,170	420,640	7,316	0
71	10/26/2019	92	6,849	5,438	4,150	417,612	7,317	0
72	10/26/2019	94	6,650	5,275	4,516	419,333	7,172	0
73	10/26/2019	99	6,890	5,176	4,423	424,824	7,230	0
74	10/27/2019	97	7,028	5,351	4,553	418,498	6,990	0
75	10/27/2019	96	6,230	5,341	4,348	419,896	7,469	0
76	10/27/2019	97	6,462	5,861	4,450	417,582	7,235	0

RECEIVED
Office of Oil and Gas

JAN 28 2020

West Virginia Department of
Environmental Protection



Well Name: Kathy Mayhew BRK 201H

470090002080000

LITHOLOGY/FORMATION	TOP DEPTH, MD (FT)	TOP DEPTH, TVD (FT)	BOTTOM DEPTH, MD (FT)	BOTTOM DEPTH, TVD (FT)	QUANTITY AND TYPE OF FLUID
Base of Fresh Water	0.00	0.00	370.00	370.00	
Pittsburgh Coal	454.00	454.00	459.00	459.00	
Top of Salt Water	622.00	622.00	NA	NA	
Pottsville (ss)	622.00	622.00	745.00	745.00	
Raven Cliff (ss)	940.00	939.00	1111.00	1110.00	
Maxton (ss)	1212.00	1210.00	1457.00	1455.00	
Big Lime (ls)	1457.00	1455.00	1596.00	1594.00	
Big Injun (ss)	1596.00	1594.00	1751.00	1749.00	
Berea (siltstone)	2075.00	2036.00	2190.00	2147.00	
Rhinestreet (shale)	5670.00	5452.00	5926.00	5687.00	
Cashagua (shale)	5926.00	5687.00	5988.00	5738.00	
Middlesex (shale)	5988.00	5738.00	6069.00	5799.00	
Burket (shale)	6069.00	5799.00	6091.00	5814.00	
Tully (ls)	6091.00	5814.00	6177.00	5869.00	
Mahantango (shale)	6177.00	5869.00	6360.00	5951.00	
Marcellus (shale)	6360.00	5951.00	NA	NA	GAS

Department of
Environmental Protection

2020 8 26 NAJ

RECEIVED
Office of Oil and Gas

LATITUDE: 40°15'00" BOTTOM HOLE (2000' SCALE)

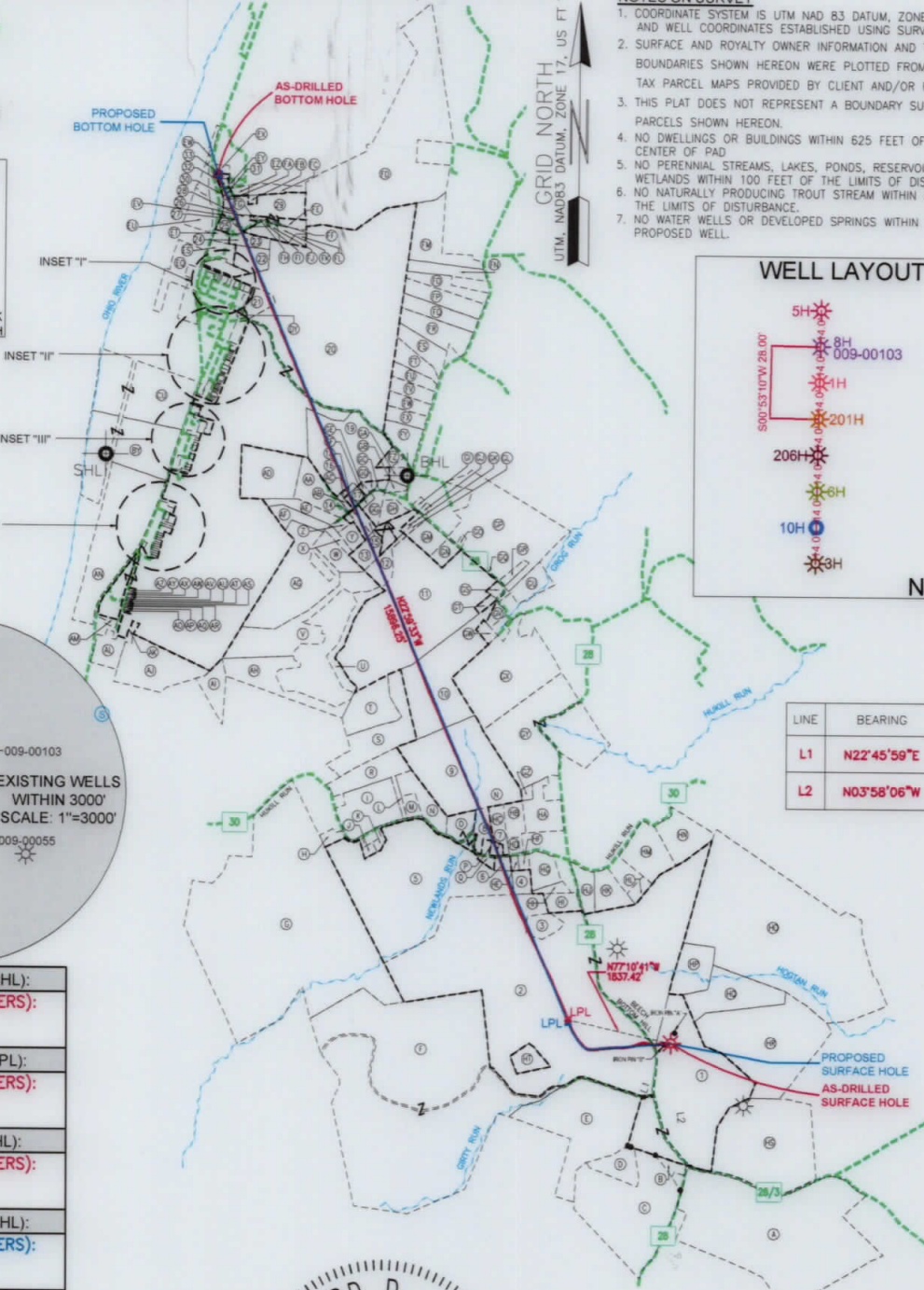
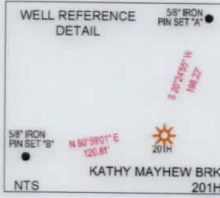
7548'

LATITUDE: 40°12'30" SURFACE HOLE (2000' SCALE)

11052'

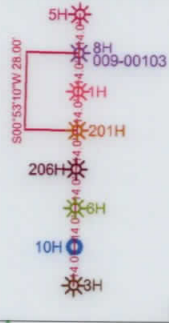


68011 Vineyard Road
St. Clairsville, Ohio 43950
740-695-6100

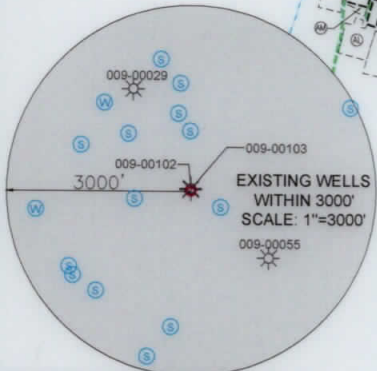


- NOTES ON SURVEY**
1. COORDINATE SYSTEM IS UTM NAD 83 DATUM, ZONE 17, U.S. FOOT AND WELL COORDINATES ESTABLISHED USING SURVEY GRADE GPS.
 2. SURFACE AND ROYALTY OWNER INFORMATION AND THEIR BOUNDARIES SHOWN HEREON WERE PLOTTED FROM DEEDS AND/OR TAX PARCEL MAPS PROVIDED BY CLIENT AND/OR FIELD LOCATIONS.
 3. THIS PLAT DOES NOT REPRESENT A BOUNDARY SURVEY OF THE PARCELS SHOWN HEREON.
 4. NO DWELLINGS OR BUILDINGS WITHIN 625 FEET OF PROPOSED CENTER OF PAD
 5. NO PERENNIAL STREAMS, LAKES, PONDS, RESERVOIRS OR WETLANDS WITHIN 100 FEET OF THE LIMITS OF DISTURBANCE.
 6. NO NATURALLY PRODUCING TROUT STREAM WITHIN 300 FEET OF THE LIMITS OF DISTURBANCE.
 7. NO WATER WELLS OR DEVELOPED SPRINGS WITHIN 250 FEET OF PROPOSED WELL.

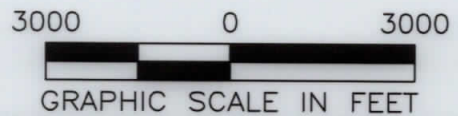
WELL LAYOUT



LINE	BEARING	DISTANCE
L1	N22°45'59"E	1932.50'
L2	N03°58'06"W	2551.48'



SURFACE HOLE LOCATION (SHL): UTM (NAD83, ZONE 17, METERS): NORTHING: 4449168.94 EASTING: 532116.75
LANDING POINT LOCATION (LPL): UTM (NAD83, ZONE 17, METERS): NORTHING: 4449283.59 EASTING: 531568.45
BOTTOM HOLE LOCATION (BHL): UTM (NAD83, ZONE 17, METERS): NORTHING: 4453710.29 EASTING: 529602.63
SURFACE HOLE LOCATION (SHL): UTM (NAD83, ZONE 17, METERS): NORTHING: 4449168.94 EASTING: 532116.75
LANDING POINT LOCATION (LPL): UTM (NAD83, ZONE 17, METERS): NORTHING: 4449267.71 EASTING: 531567.65
BOTTOM HOLE LOCATION (BHL): UTM (NAD83, ZONE 17, METERS): NORTHING: 4453711.46 EASTING: 529604.77



I, THE UNDERSIGNED, HEREBY CERTIFY THAT THIS PLAT IS CORRECT TO THE BEST OF MY KNOWLEDGE AND BELIEF AND SHOWS ALL THE INFORMATION REQUIRED BY LAW AND REGULATIONS ISSUED AND PRESCRIBED BY THE DEPARTMENT OF ENVIRONMENTAL PROTECTION.

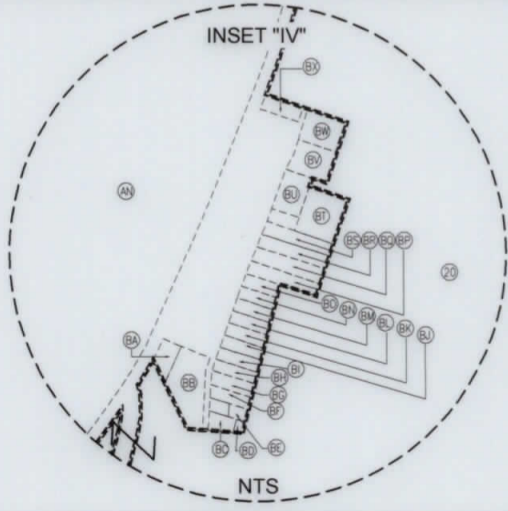
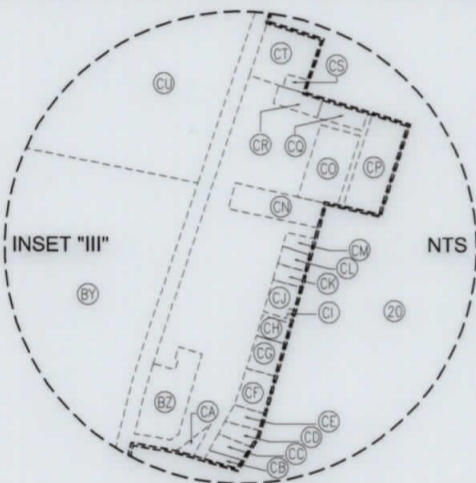
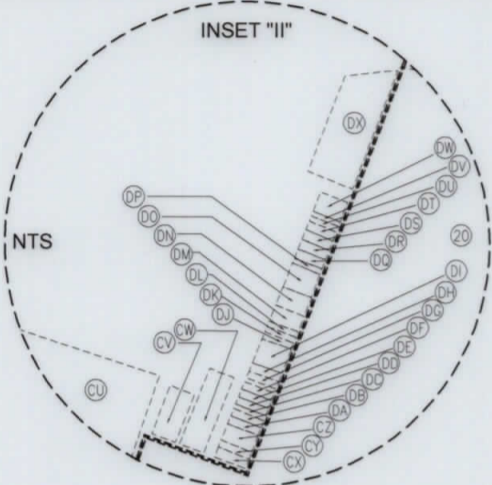
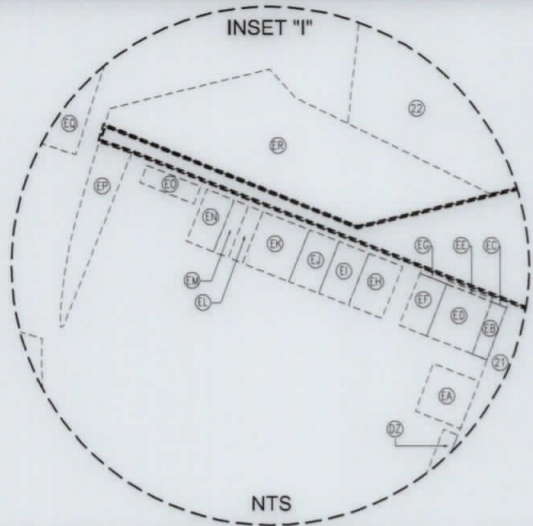
P.S. 2275



(+) DENOTES LOCATION OF WELL ON UNITED STATES TOPOGRAPHIC MAPS	MINIMUM DEGREE OF ACCURACY: 1/200	OPERATOR'S WELL #: KATHY MAYHEW BRK 201H
WVDEP OFFICE OF OIL & GAS 601 57TH STREET CHARLESTON, WV 25034	PROVEN SURVEY SOURCE OF GRADE GPS ELEVATION: (NAVD 88, US FT)	API WELL #: 47 STATE 009 COUNTY 00208 PERMIT
WELL TYPE: OIL <input type="checkbox"/> WASTE DISPOSAL <input type="checkbox"/> PRODUCTION <input checked="" type="checkbox"/> DEEP <input type="checkbox"/> GAS <input checked="" type="checkbox"/> LIQUID INJECTION <input type="checkbox"/> STORAGE <input type="checkbox"/> SHALLOW <input checked="" type="checkbox"/>	WATERSHED: UPPER OHIO SOUTH	ELEVATION: 1,281.2'
DISTRICT: BUFFALO COUNTY: BROOKE	SURFACE OWNER: KATHY LYNN & JAMES MAYHEW, ET AL	QUADRANGLE: BETHANY, WV & TILTONSVILLE, OH
OIL & GAS ROYALTY OWNER: KATHY LYNN & JAMES MAYHEW, ET AL	ACREAGE: ±84.74	ACREAGE: ±84.74
DRILL <input checked="" type="checkbox"/> DRILL DEEPER <input type="checkbox"/> REDRILL <input type="checkbox"/> FRACTURE OR STIMULATE <input type="checkbox"/> PLUG OFF OLD FORMATION <input type="checkbox"/> PERFORATE NEW FORMATION <input type="checkbox"/>	CONVERT <input type="checkbox"/> PLUG & ABANDON <input type="checkbox"/> CLEAN OUT & REPLUG <input type="checkbox"/> OTHER CHANGE <input checked="" type="checkbox"/> (SPECIFY) AS-DRILLED	TARGET FORMATION: MARCELLUS ESTIMATED DEPTH: 5,990' TVD 22,518' TMD

WELL OPERATOR: SWN PRODUCTION COMPANY, LLC ADDRESS: 1300 FORT PIERPONT DRIVE, SUITE 201 CITY: MORGANTOWN STATE: WV ZIP CODE: 26508	DESIGNATED AGENT: BRITTANY WOODY ADDRESS: 1300 FORT PIERPONT DRIVE, SUITE 201 CITY: MORGANTOWN STATE: WV ZIP CODE: 26508
--	--

LEGEND: ● EXISTING BOTTOM HOLE * EXISTING / PRODUCING WELLHEAD LPL EXISTING LANDING POINT LOCATION ○ PROPOSED SURFACE HOLE / BOTTOM HOLE LPL PROPOSED LANDING POINT LOCATION — ACCESS ROAD - - - PUBLIC ROAD FLOOD PLAIN — LEASE BOUNDARY — ASDRILLED PATH — PROPOSED PATH	REVISIONS: DATE: 01-15-2020 API NO: 47-009-00208 DRAWN BY: R. GRIMES SCALE: 1" = 3000' DRAWING NO: 2018-341 WELL LOCATION PLAT
--	---



WELL BORE TABLE FOR SURFACE / ROYALTY OWNERS		
TRACT	SURFACE OWNER (S) / ROYALTY OWNER (R)	TAX PARCEL
1	KATHY LYNN & JAMES MAYHEW, ET AL (S/R)	03-B42-0027.0000
TRACT	SURFACE OWNER	TAX PARCEL
2	JAY GLEN COLLINS	03-B41-0080.0000
3	JOSEPH P., SR. & ROBIN M. SCRIP	03-B41-0080.0002
4	SANDRA W. BUTLER	03-B41-0071.0000
5	WILLIAM & DAWNA MILLER	03-B41-0061.0000
6	SANDRA BUTLER	03-B41-0068.0000
7	ROBERT LEE & DELMA LOU HUFFMAN	03-B41-0067.0000
8	CARL & JUDITH SPENCER	03-B41-0065.0000
9	ERNEST F. & JOANNE CAPP	03-B41-0064.0000
10	MARK PHILLIPS, GAIL ATKINSON & ET AL	03-B36.0107.0000
11	WINDSOR POWER HOUSE COAL COMPANY	03-B36-0104.0000
12	WINDSOR POWER HOUSE COAL COMPANY	03-B36L-0036.0000
13	FLOYD R. & DORIS M. LOUGHRIE	03-B36L-0032.0000
14	WINDSOR POWER HOUSE COAL COMPANY	03-B36L-0025.0000
15	WINDSOR POWER HOUSE COAL COMPANY	03-B36L-0026.0000
16	LESTER & KATHERINE WALLACE	03-B36L-0009.0000
17	NICHOLAS S. MINDA (L/E: NORA J. MINDA)	03-B36L-0006.0000
18	NICHOLAS S. MINDA (L/E: NORA J. MINDA)	03-B36L-0007.0000
19	LESTER & KATHERINE WALLACE	03-B36G-0001.0000
20	BUSINESS DEVELOPMENT CORP OF THE NORTHERN PANHANDLE	01-BB36-0023.0001
21	THE VILLAGE OF BEECH BOTTOM	01-B36B-0017.0000
22	HEALTHWAYS, INC.	01-B36B-0121.0000
23	LARRY WILLIAM COUCH (L/E: JEAN COUCH)	01-B36B-0124.0000
24	EMASES PROPERTIES, LLC	01-B36B-0123.0000
25	EMASES PROPERTIES, LLC	01-BB31-0009.0000
26	EDWARD A. CONERY	01-BB31-0013.0000
27	SYLVIA C. BENNETT	01-BB31-0012.0000
28	GARY LEE & WENDY FAITH BENNETT	01-BB31-0011.0000
29	OTIS M., JR. & EDNA JO BAKER	01-BB31-0019.0000
30	WILLIAM E. & SUSAN A. MALSON	01-BB31-0022.0000
31	WILLIAM E. & SUSAN A. MALSON	01-BB31-0023.0000
32	DONALD E. COREY, II	01-BB31-0026.0000
33	LEON W. FALCON, CRAIG A. FALCON & CARL J. FALCON	01-BB31-0043.0000

ADJOINING OWNERS TABLE		
TRACT	SURFACE OWNER	TAX PARCEL
A	JOSEPH S. & JANE M. BUREK	03-B47-0019.0000
B	JAMES LAMONT	03-B47-0001.0000
C	BETSY D. TUSTIN	03-B47-0002.0001
D	DALE T. & MARY R. WOOD	03-B46-0046.0000
E	MARY WOOD	03-B41-0084.0000
F	BARRY L. & PATRICIA A. GREATHOUSE	03-B41-0082.0000
G	ROBERT J. MILLER, JR. & ET AL	03-B41-0047.0000
H	KARL DOUGLAS STEPHENS	03-B41-0054.0002
I	WILLIAM & DAWNA MILLER	03-B41-0061.0002
J	KEVIN S. WEEKLEY	03-B41-0056.0000
K	MICHAEL PAUL ALLEN	03-B41-0061.0003
L	ERNEST & JOANN PAULINE CAPP	03-B41-0061.0001
M	ERNEST W. & MARIANNE CAPP	03-B41-0062.0000
N	ERNEST & JOANN P. CAPP	03-B41-0063.0000
O	EMILY J. HUFFNER	03-B41-0065.0001
P	CARL E. & JUDITH SPENCER	03-B41-0066.0000
Q	SANDRA BUTLER	03-B41-0061.0004
R	ERNEST & JOANN PAULINE CAPP	03-B41-0053.0000
S	ERNEST F. & JOANNE CAPP	03-B41-0052.0000
T	WINDSOR POWER HOUSE COAL COMPANY	03-B41-0049.0000
U	WINDSOR POWER HOUSE COAL COMPANY	03-B36-0103.0000
V	WINDSOR POWER HOUSE COAL COMPANY	03-B36-0101.0000
W	WINDSOR POWER HOUSE COAL COMPANY	03-B36L-0021.0000
X	WINDSOR POWER HOUSE COAL COMPANY	03-B36L-0022.0000
Y	WINDSOR POWER HOUSE COAL COMPANY	03-B36L-0023.0000
Z	WINDSOR POWER HOUSE COAL COMPANY	03-B36L-0024.0000
AA	TAMMY R. & RANDOLPH L. CLARK	03-B36L-0011.0000
AB	BARBARA J. SWIGER	03-B36L-0010.0000
AC	LESTER & KATHERINE WALLACE	03-B36L-0008.0000
AD	JEFFREY M. & KRISTINA L. BARR	03-B36L-0011.0001
AE	AMANDA HUFF	03-B36L-0017.0000
AF	CONNIE WAGNER	03-B36L-0015.0000
AG	BRIAN D. & CASEY K. RICHARDSON	03-B36L-0021.0001
AH	WINDSOR POWER HOUSE COAL COMPANY	03-B36-0102.0000
AI	WINDSOR POWER HOUSE COAL COMPANY	03-B36-0100.0000
AJ	WINDSOR POWER HOUSE COAL COMPANY	03-B36-0091.0000
AK	WINDSOR POWER HOUSE COAL COMPANY	01-BB36-0022.0000
AL	WINDSOR POWER HOUSE COAL COMPANY	01-BB36-0025.0000
AM	RALPH & MARY ANN PLANTS	01-BB36-0004.0000
AN	BUSINESS DEVELOPMENT CORP OF THE NORTHERN PANHANDLE	01-BB36-0001.0000
AO	PAUL & GENEVIEVE CUNNINGHAM	01-BB36-0017.0000
AP	PAUL & MARY G. CUNNINGHAM	01-BB36-0016.0000
AQ	FRANKLIN MILLER	01-BB36-0015.0000
AR	FRANKLIN MILLER	01-BB36-0014.0000
AS	FRANKLIN MILLER	01-BB36-0013.0000
AT	FRANKLIN MILLER	01-BB36-0012.0000
AU	FRANKLIN & CONNIE J. MILLER	01-BB36-0011.0000
AV	FRANKLIN & CONNIE J. MILLER	01-BB36-0010.0000
AW	CHERYL E. SMITH & LINDA CURIA (L/E: ROBERT & JOANN SMITH)	01-BB36-0009.0000
AX	STEVEN ANDREW & DEBBIE LYNN MURDOCK	01-BB36-0008.0000
AY	DANIEL L. & CATHY J. JOHNSTON	01-BB36-0007.0000
AZ	LELAND J. & TRACY A. DICKINSON	01-BB36-0006.0000
BA	CHRISTOPHER DEAN	01-B36K-0030.0000
BB	CHARLES G. & CHRISTINE L. HOOD	01-B36K-0031.0000

REVISIONS:

COMPANY:

SWN
Production Company, LLC

SWN *R-V+*
Production Company™

OPERATOR'S: KATHY MAYHEW BRK
WELL #: 201H

DATE: 01-15-2020
API NO: 47-009-00208
DRAWN BY: R. GRIMES

DISTRICT: BUFFALO

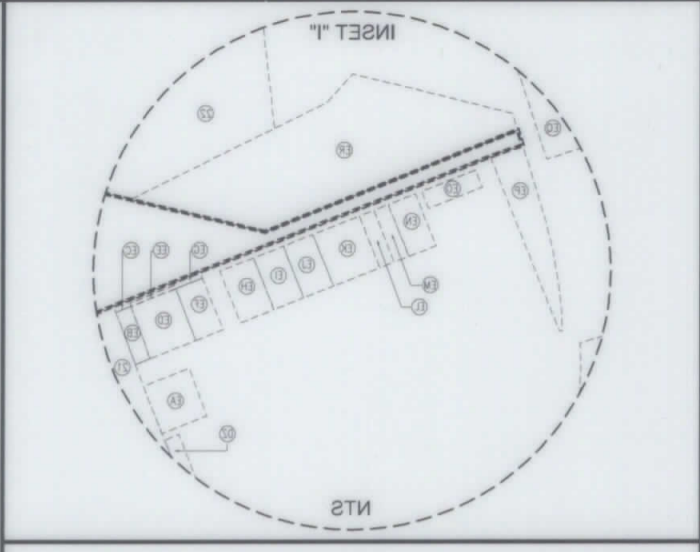
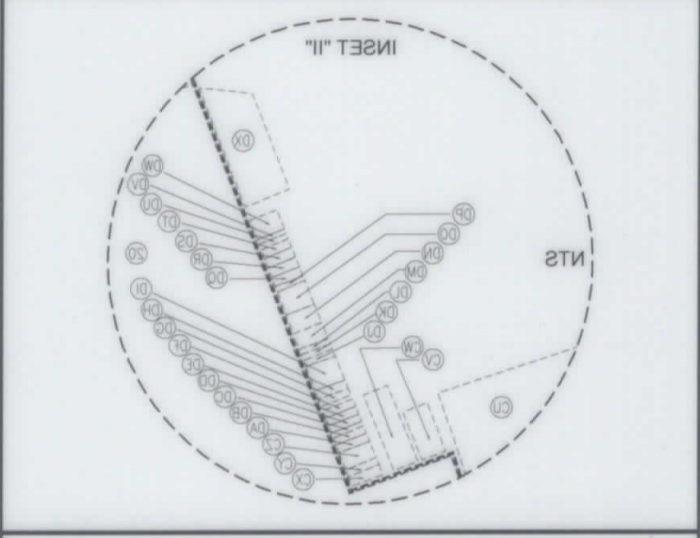
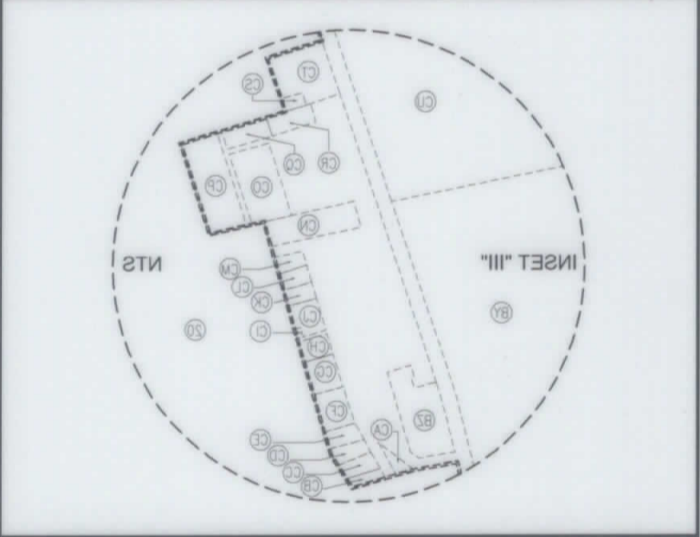
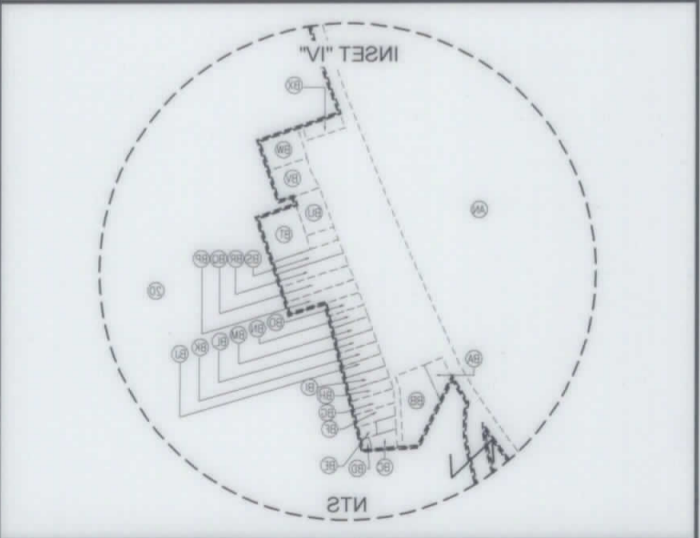
COUNTY: BROOKE

STATE: WV

SCALE: N/A
DRAWING NO: 2018-341
WELL LOCATION PLAT

PROPERTY NUMBER 2501166090
PAD ID 3001156092

WELL LOCATION PLAN	DRAWING NO: 2018-341	SCALE: N/A	DRAWN BY: R. GRIMES	API NO: 43-009-00208	DATE: 01-15-2020
BUFFALO	DISTRICT:	WELL #:	OPERATOR'S:	KATHY MAYHEW BRK	
BROOKE	COUNTY:	STATE:	201H		
COMPANY:			Production Company, LLC		
REVISIONS:			Production Company, LLC		



TRACT	SURFACE OWNER	TAX PARCEL
BB	CHARLES C & CHRISTINE J HOOD	01-838K-0020.0000
BA	CHRISTOPHER DEAN	01-838K-0020.0000
AZ	LELAND J & TRACY A DICKINSON	01-838B-0008.0000
AY	DANIEL J & CATHY J JOHNSTON	01-838B-0007.0000
AX	STEVEN ANDREW & DEBBIE LYNN MURDOCK	01-838B-0008.0000
AW	CHERYL E SMITH & LINDA CURIA (J.E. ROBERT & JOANN SMITH)	01-838B-0008.0000
AV	FRANKLIN & CONNIE J MILLER	01-838B-0010.0000
AU	FRANKLIN & CONNIE J MILLER	01-838B-0011.0000
AT	FRANKLIN MILLER	01-838B-0012.0000
AS	FRANKLIN MILLER	01-838B-0013.0000
AR	FRANKLIN MILLER	01-838B-0014.0000
AD	FRANKLIN MILLER	01-838B-0015.0000
AP	PAUL & MARY G CUNNINGHAM	01-838B-0016.0000
AO	PAUL & DENNEVE CUNNINGHAM	01-838B-0017.0000
AN	BUSINESS DEVELOPMENT CORP OF THE NORTHERN PANHANDLE	01-838B-0001.0000
AM	RALPH & MARY ANN PLANTS	01-838B-0004.0000
AL	WINDSOR POWER HOUSE COAL COMPANY	01-838B-0025.0000
AK	WINDSOR POWER HOUSE COAL COMPANY	01-838B-0023.0000
AJ	WINDSOR POWER HOUSE COAL COMPANY	01-838B-0021.0000
AI	WINDSOR POWER HOUSE COAL COMPANY	01-838B-0100.0000
AH	WINDSOR POWER HOUSE COAL COMPANY	01-838B-0103.0000
AG	BRIAN D & CASEY K RICHARDSON	01-838B-0021.0001
AF	CONNIE WAGNER	01-838B-0012.0000
AE	AMANDA HURT	01-838B-0017.0000
AD	JEFFREY M & KRISTINA J BARR	01-838B-0011.0001
AC	LESTER & KATHERINE WALLACE	01-838B-0008.0000
AB	BARBARA J SWICER	01-838B-0010.0000
AA	TAMMY R & RANDOLPH J CLARK	01-838B-0011.0000
Z	WINDSOR POWER HOUSE COAL COMPANY	01-838B-0024.0000
Y	WINDSOR POWER HOUSE COAL COMPANY	01-838B-0023.0000
X	WINDSOR POWER HOUSE COAL COMPANY	01-838B-0023.0000
W	WINDSOR POWER HOUSE COAL COMPANY	01-838B-0021.0000
V	WINDSOR POWER HOUSE COAL COMPANY	01-838B-0101.0000
U	WINDSOR POWER HOUSE COAL COMPANY	01-838B-0103.0000
T	WINDSOR POWER HOUSE COAL COMPANY	01-838B-0049.0000
S	ERNEST F & JOANNE CARP	01-841-0025.0000
R	ERNEST & JOANN PAULINE CARP	01-841-0023.0000
Q	SANDRA BUTLER	01-841-0061.0004
P	CARL E & JUDITH SPENCER	01-841-0068.0000
O	EMILY J HUFNER	01-841-0065.0001
N	ERNEST & JOANN P CARP	01-841-0083.0000
M	ERNEST W & MARVAINE CARP	01-841-0082.0000
L	ERNEST & JOANN PAULINE CARP	01-841-0081.0001
K	MICHAEL PAUL ALLEN	01-841-0081.0003
J	KEVIN E WENZLEY	01-841-0028.0000
I	WILLIAM & DAWN MILLER	01-841-0061.0003
H	KARL DOUGLAS STEPHENS	01-841-0024.0003
G	ROBERT J MILLER, JR & ET AL	01-841-0047.0000
F	BARRY J & PATRICIA A GREATHOUSE	01-841-0083.0000
E	MARY WOOD	01-841-0084.0000
D	DALE T & MARY R WOOD	01-848-0048.0000
C	BETSY D TUTTIN	01-847-0003.0001
B	JAMES LAMONT	01-847-0001.0000
A	JOSEPH S & JANE M BURK	01-847-0019.0000

ADJOINING OWNERS TABLE

TRACT	SURFACE OWNER	TAX PARCEL
33	LEON W FALCON, CRAIG A FALCON & CARL J FALCON	01-8831-0043.0000
32	DONALD E COREY, II	01-8831-0026.0000
31	WILLIAM E & SUSAN A MALSON	01-8831-0023.0000
30	WILLIAM E & SUSAN A MALSON	01-8831-0023.0000
29	OTIS M, JR & EDNA JO BAKER	01-8831-0019.0000
28	GARY LEE & WENDY FAITH BENNETT	01-8831-0011.0000
27	SYLVIA C BENNETT	01-8831-0015.0000
26	EDWARD A CONERY	01-8831-0013.0000
25	EMAGES PROPERTIES, LLC	01-8831-0009.0000
24	EMAGES PROPERTIES, LLC	01-838B-0123.0000
23	LARRY WILLIAM COUCH (J.E. LEAN COUCH)	01-838B-0124.0000
22	HEALTHWAYS, INC	01-838B-0121.0000
21	THE VILLAGE OF BECH BOTTOM	01-838B-0017.0000
20	BUSINESS DEVELOPMENT CORP OF THE NORTHERN PANHANDLE	01-883B-0023.0001
19	LESTER & KATHERINE WALLACE	01-838C-0001.0000
18	NICHOLAS S MINDA (J.E. NORA J MINDA)	01-838L-0007.0000
17	NICHOLAS S MINDA (J.E. NORA J MINDA)	01-838L-0008.0000
16	LESTER & KATHERINE WALLACE	01-838L-0009.0000
15	WINDSOR POWER HOUSE COAL COMPANY	01-838L-0028.0000
14	WINDSOR POWER HOUSE COAL COMPANY	01-838L-0025.0000
13	FLOYD R & DORIS M DOUGHERT	01-838L-0023.0000
12	WINDSOR POWER HOUSE COAL COMPANY	01-838L-0028.0000
11	WINDSOR POWER HOUSE COAL COMPANY	01-838L-0104.0000
10	MARK PHILLIPS, GAIL ATKINSON & ET AL	01-838L-0107.0000
9	ERNEST F & JOANNE CARP	01-841-0084.0000
8	CARL & JUDITH SPENCER	01-841-0082.0000
7	ROBERT LEE & DELMAM LOU HUFFMAN	01-841-0087.0000
6	SANDRA BUTLER	01-841-0088.0000
5	WILLIAM & DAWN MILLER	01-841-0081.0000
4	SANDRA W BUTLER	01-841-0071.0000
3	JOSEPH P, SR & ROBIN M SCRIP	01-841-0080.0003
2	JAY GLEN COLLINS	01-841-0080.0000
1	KATHY LYNN & JAMES MAYHEW, ET AL (2/R)	01-845-0023.0000

WELL BORE TABLE FOR SURFACE / ROYALTY OWNERS

ADJOINING OWNERS TABLE		
TRACT	SURFACE OWNER	TAX PARCEL
BC	CHARLES G. & CHRISTINE L. HOOD	01-B36K-0050.0003
BD	JAMES D. MEADOWS	01-B36K-0050.0001
BE	JAMES D. MEADOWS	01-B36K-0050.0002
BF	MARK L. & SHARON KAY JORDAN	01-B36K-0050.0000
BG	MARK & SHARON KAY JORDAN	01-B36K-0049.0000
BH	JOHN & VIOLET E. CORSO	01-B36K-0048.0000
BI	JOHN & VIOLET E. CORSO	01-B36K-0047.0000
BJ	JOHN & VIOLET E. CORSO	01-B36K-0046.0000
BK	AYLSSA R. NEGRI	01-B36K-0045.0000
BL	AYLSSA NEGRI	01-B36K-0044.0000
BM	JOHN MILLER	01-B36K-0043.0000
BN	DONALD & ROSEMARIE MEADOWS	01-B36K-0042.0000
BO	MORRIS BLEAU	01-B36K-0041.0000
BP	MORRIS W. BLEAU	01-B36K-0040.0000
BQ	MORRIS BLEAU	01-B36K-0039.0000
BR	CARL B. LINDSEY	01-B36K-0038.0000
BS	LINDA DARLIN SPENCER	01-B36K-0037.0000
BT	MARISSA J. & ROBERT B. FORSHEY	01-B36K-0036.0000
BU	DONALD E. & PATRICIA A. GILBERT	01-B36K-0034.0000
BV	MARISSA J. FORSHEY	01-B36K-0033.0000
BW	MARISSA J. FORSHEY	01-B36K-0032.0000
BX	WANDA S. JONES	01-B36K-0014.0000
BY	BUSINESS DEVELOPMENT CORP OF THE NORTHERN PANHANDLE	01-B36K-0013.0000
BZ	DENNIS RUSCHEL	01-B36K-0002.0000
CA	THE VILLAGE OF BEECH BOTTOM	01-B36K-0003.0000
CB	DOLORES VIRGINIA COEN	01-B36K-0012.0000
CC	THE VILLAGE OF BEECH BOTTOM	01-B36K-0011.0000
CD	CURTIS D. & TINA L. OSSMAN	01-B36K-0010.0000
CE	WILLIAM JONES	01-B36K-0009.0000
CF	WILLIAM JONES	01-B36K-0008.0000
CG	NICHOLAS RYNIANEWEC	01-B36F-0096.0000
CH	GARY EDWARD & CONSTANCE L. COOPER	01-B36F-0095.0000
CI	UNKNOWN OWNER	01-B36F-0094.0000
CJ	WILLIAM E. & DEBRA L. LEONARD	01-B36F-0093.0000
CK	TARA A. SUTER	01-B36F-0092.0000
CL	TARA D. SUTER	01-B36F-0091.0000
CM	JOHN ESKEY	01-B36F-0090.0000
CN	AMY N. FREY	01-B36F-0089.0000
CO	BRUCE & DEBBI SELMON	01-B36F-0088.0000
CP	BRUCE & DEBBI SELMON	01-B36F-0085.0000
CQ	TERRY LYNN LILLY	01-B36F-0084.0000
CR	GEORGE W. & CHARLOTTE BARNHART	01-B36F-0081.0000
CS	GEORGE W. & CHARLOTTE BARNHART	01-B36F-0079.0000
CT	C & P TELEPHONE COMPANY OF WEST VIRGINIA	01-B36F-0078.0000
CU	BUSINESS DEVELOPMENT CORP OF THE NORTHERN PANHANDLE	01-B36F-0077.0000
CV	MARK T. SVETIC	01-B36F-0025.0000
CW	JAC FRED WV, LLC (A NORTH CAROLINA LLC)	03-B36F-0026.0000
CX	MICHAEL EDWARD & EMMA FEDCZAK	01-B36F-0076.0000
CY	MICHAEL EDWARD & EMMA FEDCZAK	01-B36F-0075.0000
CZ	SHELBY L. CASTO	01-B36F-0074.0000
DA	SHELBY L. CASTO	01-B36F-0073.0000
DB	PHYLLIS MARKER	01-B36F-0072.0000
DC	GLENN T. & CAROLYN MOORE	01-B36F-0071.0000
DD	CAROLYN K. MOORE	01-B36F-0070.0000
DE	JEFFREY & CHERYL WEEKLEY	01-B36F-0069.0000
DF	JEFFREY L. STOLLAR	01-B36F-0068.0000
DG	JUNE E. MORRELL	01-B36F-0067.0000
DH	JUNE E. MORRELL	01-B36F-0066.0000
DI	KENNETH R. ROWAN	01-B36F-0065.0000
DJ	ALLEN KEITH & CAROL YAHRLING	01-B36F-0064.0000
DK	JUNE E. MORRELL	01-B36F-0063.0000
DL	EDWARD A. POLAND	01-B36F-0062.0000
DM	LELAND J. & TRACEY A. DICKINSON	01-B36F-0061.0000
DN	THE VILLAGE OF BEECH BOTTOM	01-B36F-0060.0000
DO	JOYCE L. PAINTER	01-B36F-0059.0000
DP	JANET L. RICHARDSON	01-B36F-0058.0000
DD	JANET L. RICHARDSON	01-B36F-0057.0000
DR	JANET L. RICHARDSON	01-B36F-0056.0000
DS	JANET L. RICHARDSON	01-B36F-0055.0000
DT	JANET L. RICHARDSON	01-B36F-0054.0000
DJ	MONONGAHELA POWER COMPANY	01-B36F-0053.0000
DV	LARRY W. GRIMES	01-B36F-0052.0000
DW	LARRY W. GRIMES	01-B36F-0051.0000
DX	BOARD OF EDUCATION	01-B36B-0106.0000
DY	CLINTON W. & LORRAINE DEWITT	01-B36B-0061.0000
DZ	RONNIE L. OTTO	01-B36B-0060.0000
EA	DONALD L. LYNCH	01-B36B-0018.0000
EB	THE VILLAGE OF BEECH BOTTOM	01-B36B-0016.0000
EC	THE VILLAGE OF BEECH BOTTOM	ALLEY A
ED	JUSTIN & AMANDA SMART	01-B36B-0015.0000
EE	JUSTIN & AMANDA SMART	01-B36B-0013.0000
EF	GEORGE M. & JUDY LEWIS	01-B36B-0014.0000
EG	GEORGE M. & JUDY LEWIS	01-B36B-0012.0000
EH	BELINDA DAUGHERTY & ET AL	01-B36B-0011.0000
EI	BARBARA MCCUTCHAN	01-B36B-0010.0000
EJ	WILLIAM B., JR. & ELIZABETH N. CAIN	01-B36B-0009.0000
EK	SHEILA ANN LAZEAR, ROBERT S. LAZEAR & ET AL	01-B36B-0008.0000
EL	SHEILA ANN LAZEAR, ROBERT S. LAZEAR & ET AL	01-B36B-0007.0000
EM	JOHN C. & KELLY A. RICHIE	01-B36B-0006.0000
EN	JOHN C. & KELLY A. RICHIE	01-B36B-0005.0000
EO	PATRICK J. DALBO	01-B36B-0002.0000
EP	THE VILLAGE OF BEECH BOTTOM	01-B36B-0001.0000
EQ	BROWNLEE LAND VENTURES, LP	01-B36B-0115.0000
ER	JOYCE A. SMITH	01-B36B-0120.0000

ADJOINING OWNERS TABLE		
TRACT	SURFACE OWNER	TAX PARCEL
ES	HEALTHWAYS, INC.	01-B36B-0121.0000
ET	JEFFREY A. & AMY J. GIBSON	01-B36B-0122.0000
EU	ROSSO ENTERPRISE, LLC (A WEST VIRGINIA CORPORATION)	01-BB31-0008.0001
EV	GARY LEE & WENDY FAITH BENNETT	01-BB31-0010.0000
EW	WHEELING LAND DEVELOPMENT CORPORATION	01-BB31-0006.0000
EX	LEON W. FALCON, CRAIG A. FALCON & CARL J. FALCON	01-BB31-0044.0000
EY	THE VILLAGE OF BEECH BOTTOM	01-BB31-0027.0000
EZ	KEVIN A. & PATRICIA A. SCHANE	01-BB31-0024.0000
FA	KEVIN A. & PATRICIA A. SHANE	01-BB31-0020.0000
FB	LISA LANCASTER	01-BB31-0021.0000
FC	ALBERT T. & SHEILA PELL	01-BB31-0025.0000
FD	BERNARD J. LOMBARD, III	03-B31-0081.0000
FE	UNKNOWN OWNER	03-B31-0074.0000
FF	JOYCE A. CAPELLE	01-BB31-0018.0000
FG	LOUIS W. MILLER	01-BB31-0014.0000
FH	LOUIS J. & ARLINE F. MILLER	01-BB31-0016.0000
FI	LOUIS J. & ARLINE F. MILLER	01-BB31-0017.0000
FJ	EDWARD A. CONERY	01-B36B-0125.0000
FK	LOUIS & ARLINE MILLER	03-B36-0005.0000
FL	LOUIS & ARLINE MILLER	03-B36-0006.0000
FM	STEPHEN A. FODOR	03-B36-0176.0000
FN	JOHN R. HOFFMAN & ALICE J. BUCHANAN	03-B36-0175.0000
FO	PAUL D. & KIMBERLY D. LEONARD	03-B36-0173.0000
FP	BRANNON P. & EMILY M. LEONARD	03-B36-0172.0000
FQ	BRANNON P. & EMILY M. LEONARD	03-B36-0171.0000
FR	HARLEY J. LEMASTERS	03-B36-0170.0000
FS	HARLEY J. LEMASTERS	03-B36-0047.0000
FT	HARLEY LEMASTERS	03-B36-0046.0000
FU	HARLEY LEMASTERS	03-B36-0045.0000
FV	HARLEY LEMASTERS	03-B36-0044.0000
FW	HARLEY LEMASTERS	03-B36-0043.0000
FX	HARLEY J. LEMASTERS	03-B36-0042.0000
FY	HARLEY J. LEMASTERS	03-B36-0041.0000
FZ	JOHN BADO	03-B36-0002.0000
GA	JOHN BADO	03-B36-0001.0000
GB	HUBERT ESTES & ERMA HEADEN	03-B36L-0002.0000
GC	LESTER & KATHERINE WALLACE	03-B36L-0003.0000
GD	LESTER & KATHERINE WALLACE	03-B36L-0004.0000
GE	LESTER & KATHERINE WALLACE	03-B36L-0005.0000
GF	WINDSOR POWER HOUSE COAL COMPANY	03-B36L-0027.0000
GG	WINDSOR POWER HOUSE COAL COMPANY	03-B36L-0028.0000
GH	FLOYD R. & DORIS M. LOUGHRIE	03-B36L-0030.0000
GI	ANTHONY ALLEN WHITEHEAD	03-B36L-0044.0000
GJ	CHRISTOPHER & MAUREEN GOLLICK	03-B36L-0043.0000
GK	KEITH L. HAMILTON	03-B36L-0034.0000
GL	KEITH L. HAMILTON	03-B36L-0035.0000
GM	KEITH HAMILTON	03-B36L-0037.0000
GN	FLOYD R. & DORIS M. LOUGHRIE	03-B36L-0038.0000
GO	TAMMY S. MASSEY	03-B36L-0039.0000
GP	BRIAN L. TESLOVICH	03-B36-0145.0000
GQ	COLUMBIA GAS COMPANY	03-B36-0144.0000
GR	LYNN COULTER, DAVID COULTER & ET AL	03-B36-0143.0000
GS	BEECH BOTTOM VOLUNTEER FIRE DEPARTMENT	03-B36-0105.0000
GT	TREVOR SEAN RICHMAN	03-B36-0106.0000
GU	MARK A. & MELODY J. ADAMS	03-B36-0142.0000
GV	FREDERICK B. & JULIE M. DAVIS	03-B36-0108.0000
GW	DAVID MCCLURE	03-B36-0110.0000
GX	CAROL L. DUFFY	03-B36-0113.0000
GY	LORETTA JOAN BASIL	03-B41-0099.0000
GZ	ERNEST F. & JOANNE P. CAPP	03-B41-0098.0000
HA	ELIZABETH ELLEN FLUHARTY	03-B41-0095.0000
HB	DANIEL R. GORBY	03-B41-0061.0006
HC	COREY CONLEY	03-B41-0061.0005
HD	SANDRA W. BUTLER	03-B41-0061.0009
HE	SANDRA BUTLER	03-B41-0069.0000
HF	RONALD C. BUTLER, CHRISTINA BUTLER & JAMES R. BUTLER	03-B41-0070.0000
HG	SANDRA W. BUTLER	03-B41-0072.0000
HH	SANDRA W. BUTLER	03-B41-0078.0000
HI	JAY G. COLLINS	03-B41-0079.0000
HJ	JAY G. COLLINS, II	03-B41-0085.0000
HK	HENRY MIKELS & BONNIE J. BURKETT	03-B41-0086.0001
HL	JASON D. & MARY E. WHITE	03-B41-0086.0000
HM	ROBERT D., II & LESLIE C. HILDEBRAND	03-B42-0063.0000
HN	FRANK G. & KELLY L. AINSCOUGH	03-B42-0071.0000
HO	HENRY HEINZEROTH	03-B42-0032.0000
HP	APPALACHIA MIDSTREAM SERVICES, LLC	03-B42-0030.0000
HQ	APPALACHIA MIDSTREAM SERVICES, LLC	03-B42-0031.0000
HR	APPALACHIA MIDSTREAM SERVICES, LLC	03-B42-0029.0000
HS	ELIZABETH ELLEN FLUHARTY	03-B47-0018.0000
HT	MARK & TRINA PROVENZANO	03-B41-0080.0001

REVISIONS:

COMPANY:



OPERATOR'S

KATHY MAYHEW BRK

DATE: 01-15-2020

WELL #:

201H

API NO: 47-009-00208

DISTRICT:
BUFFALO

COUNTY:
BROOKE

STATE:
WV

DRAWN BY: R. GRIMES
SCALE: N/A
DRAWING NO: 2018-341
WELL LOCATION PLAT

WELL LOCATION PLAT	DRAWING NO: 2018-341	SCALE: N/A	DRAWN BY: R. GRIMES	API NO: 43-009-00208	DATE: 01-12-2020
<p>COMPANY: Production Company, L.L.C.</p> <p>OPERATOR: KATHY MAYHEW BRK</p> <p>WELL #: 201H</p> <p>DISTRICT: BUFFALO</p> <p>COUNTY: BROOKE</p> <p>STATE: WV</p>					

TRACT	SURFACE OWNER	TAX PARCEL
HT	MARK & TRINA PROVENZANO	03-841-0080.0001
HS	ELIZABETH ELLEN FLUHARTY	03-843-0018.0000
HR	APPALACHIA MIDSTREAM SERVICES, LLC	03-843-0028.0000
HO	APPALACHIA MIDSTREAM SERVICES, LLC	03-843-0031.0000
HP	APPALACHIA MIDSTREAM SERVICES, LLC	03-843-0030.0000
HO	HENRY HEINZROTH	03-843-0023.0000
HI	FRANK C & KELLY J ANSCOUGH	03-843-0071.0000
HM	ROBERT D II & LESLIE C HILDBRAND	03-843-0083.0000
HJ	JASON D & MARY E WHITE	03-841-0088.0000
HK	HENRY MIKELZ & BONNIE J BURKETT	03-841-0086.0001
HL	JAY C COLLINS II	03-841-0082.0000
HI	JAY C COLLINS	03-841-0078.0000
HH	SANDRA W BUTLER	03-841-0078.0000
HG	SANDRA W BUTLER	03-841-0073.0000
HF	RONALD C BUTLER, CHRISTINA BUTLER & JAMES R BUTLER	03-841-0070.0000
HE	SANDRA BUTLER	03-841-0068.0000
HD	SANDRA W BUTLER	03-841-0061.0008
HC	COREY CONLEY	03-841-0061.0005
HB	DANIEL R DORBY	03-841-0081.0006
HA	ELIZABETH ELLEN FLUHARTY	03-841-0062.0000
GZ	ERNEST F & JOANNE P CARP	03-841-0068.0000
GY	LORETTA JOAN BASIL	03-841-0088.0000
GX	CAROL J DUFFY	03-841-0112.0000
GW	DAVID MCCURE	03-838-0110.0000
GV	FREDERICK B & JULIE M DAVIS	03-838-0108.0000
GU	MARK A & MELDY J ADAMS	03-838-0143.0000
GT	TREVOR SEAN RICHMAN	03-838-0106.0000
GS	BEECH BOTTOM VOLUNTEER FIRE DEPARTMENT	03-838-0102.0000
GR	LYNN COLTLER, DAVID COLTLER & ET AL	03-838-0143.0000
GO	COLUMBIA GAS COMPANY	03-838-0144.0000
GP	BRIAN J TETLOWICH	03-838-0142.0000
GN	TAMMY S MASSEY	03-838-0038.0000
GM	FLOYD R & DORIS M LOUGHRAN	03-838-0037.0000
GL	KEITH L HAMILTON	03-838-0032.0000
GK	KEITH L HAMILTON	03-838-0024.0000
GJ	CHRISTOPHER & MAUREEN GOLICK	03-838-0043.0000
GI	ANTHONY ALLEN WHITTHEAD	03-838-0044.0000
GH	FLOYD R & DORIS M LOUGHRAN	03-838-0030.0000
GF	WINDSOR POWER HOUSE COAL COMPANY	03-838-0028.0000
GE	LESTER & KATHERINE WALLACE	03-838-0002.0000
GD	LESTER & KATHERINE WALLACE	03-838-0004.0000
GC	LESTER & KATHERINE WALLACE	03-838-0003.0000
GB	HUBERT ESTES & ERMA HEADEN	03-838-0002.0000
GA	JOHN BADO	03-838-0001.0000
FZ	JOHN BADO	03-838-0002.0000
FY	HARLEY J LEMASTERS	03-838-0041.0000
FX	HARLEY J LEMASTERS	03-838-0045.0000
FV	HARLEY LEMASTERS	03-838-0043.0000
FU	HARLEY LEMASTERS	03-838-0044.0000
FT	HARLEY LEMASTERS	03-838-0046.0000
FS	HARLEY J LEMASTERS	03-838-0047.0000
FR	HARLEY J LEMASTERS	03-838-0120.0000
FQ	BRAINON P & EMILY M LEONARD	03-838-0121.0000
FP	BRAINON P & EMILY M LEONARD	03-838-0122.0000
FOD	PAUL D & KIMBERLY D LEONARD	03-838-0123.0000
FN	JOHN R HOFFMAN & ALICE J BUCHANAN	03-838-0125.0000
FM	STEPHEN A FODOR	03-838-0126.0000
FL	LOUIS & ARLINE MILLER	03-838-0006.0000
FK	LOUIS & ARLINE MILLER	03-838-0002.0000
FJ	EDWARD A CONEY	03-838-0125.0000
FI	LOUIS J & ARLINE F MILLER	03-838-0017.0000
FH	LOUIS J & ARLINE F MILLER	03-838-0016.0000
FG	LOUIS W MILLER	03-838-0014.0000
FE	JOYCE A CAPLLE	03-838-0018.0000
FF	UNKNOWN OWNER	03-838-0014.0000
FD	BERNARD J LOMBARD III	03-838-0081.0000
FC	ALBERT T & SHEILA PELL	03-838-0022.0000
FB	LISA LANCASTER	03-838-0021.0000
FA	KEVIN A & PATRICIA A SHANE	03-838-0020.0000
EZ	KEVIN A & PATRICIA A SHANE	03-838-0024.0000
EY	THE VILLAGE OF BEECH BOTTOM	03-838-0023.0000
EX	LEON W FALCON, CRAIG A FALCON & CARL J FALCON	03-838-0044.0000
EW	WHEELING LAND DEVELOPMENT CORPORATION	03-838-0008.0000
EV	GARY LEE & WENDY FAITH BENNETT	03-838-0010.0000
EU	ROSSO ENTERPRISE, LLC (A WEST VIRGINIA CORPORATION)	03-838-0008.0001
ET	JEFFREY A & AMY J GIBSON	03-838-0122.0000
ES	HEALTHWAYS, INC	03-838-0121.0000

TRACT	SURFACE OWNER	TAX PARCEL
ER	JOYCE A SMITH	01-838-0120.0000
EP	THE VILLAGE OF BEECH BOTTOM	01-838-0001.0000
EO	PATRICK J DALBO	01-838-0002.0000
EN	JOHN C & KELLY A RICHE	01-838-0005.0000
EM	JOHN C & KELLY A RICHE	01-838-0006.0000
EL	SHEILA ANN LAZEAR, ROBERT S LAZEAR & ET AL	01-838-0007.0000
EK	SHEILA ANN LAZEAR, ROBERT S LAZEAR & ET AL	01-838-0008.0000
EJ	WILLIAM B JR & ELIZABETH N DAIN	01-838-0008.0000
EI	BARBARA MCCUTCHAN	01-838-0010.0000
EH	BELINDA DAUGHERTY & ET AL	01-838-0011.0000
EG	GEORGE M & JUDY LEWIS	01-838-0012.0000
EF	GEORGE M & JUDY LEWIS	01-838-0014.0000
EE	JUSTIN & AMANDA SMART	01-838-0012.0000
ED	JUSTIN & AMANDA SMART	01-838-0013.0000
EC	THE VILLAGE OF BEECH BOTTOM	01-838-0016.0000
EJ	ALLEY A	01-838-0016.0000
EA	DONALD J LYNCH	01-838-0018.0000
EB	THE VILLAGE OF BEECH BOTTOM	01-838-0018.0000
EA	RONNIE J OTTO	01-838-0060.0000
DZ	CUNTON W & LORRAINE DEWITT	01-838-0081.0000
DY	BOARD OF EDUCATION	01-838-0106.0000
DW	LARRY W GRIMES	01-838-0021.0000
DV	LARRY W GRIMES	01-838-0022.0000
DU	MONSIEUR A POWER COMPANY	01-838-0023.0000
DT	JANET L RICHARDSON	01-838-0024.0000
DS	JANET L RICHARDSON	01-838-0025.0000
DR	JANET L RICHARDSON	01-838-0026.0000
DP	JANET L RICHARDSON	01-838-0027.0000
DD	JANET L RICHARDSON	01-838-0028.0000
DC	PHYLIS MARKER	01-838-0023.0000
DA	SHELBY L CASTO	01-838-0073.0000
CZ	SHELBY L CASTO	01-838-0074.0000
CY	MICHAEL EDWARD & EMMA FEDCSAK	01-838-0072.0000
CX	MICHAEL EDWARD & EMMA FEDCSAK	01-838-0075.0000
CW	JAC FRED W, LLC (A NORTH CAROLINA LLC)	03-838-0028.0000
CV	MARK T SVETIC	01-838-0025.0000
CU	BUSINESS DEVELOPMENT CORP OF THE NORTHERN PANHANDLE	01-838-0073.0000
CT	C & P TELEPHONE COMPANY OF WEST VIRGINIA	01-838-0078.0000
CS	GEORGE W & CHARLOTTE BARNHART	01-838-0079.0000
CR	GEORGE W & CHARLOTTE BARNHART	01-838-0081.0000
CO	TERRY LYNN LILLY	01-838-0084.0000
CP	BRUCE & DEBBI SELMON	01-838-0082.0000
CO	BRUCE & DEBBI SELMON	01-838-0088.0000
CM	AMY N FREY	01-838-0089.0000
CL	TARA D SUTER	01-838-0081.0000
CK	TARA A SUTER	01-838-0082.0000
CA	WILLIAM E & DEBRA J LEONARD	01-838-0083.0000
CI	UNKNOWN OWNER	01-838-0084.0000
CH	GARY EDWARD & CONSTANCE J COOPER	01-838-0082.0000
CG	NICHOLAS RYHAIWEC	01-838-0086.0000
CF	WILLIAM JONES	01-838-0008.0000
CE	WILLIAM JONES	01-838-0009.0000
CD	CURTIS D & TIM J OSSMAN	01-838-0010.0000
CC	THE VILLAGE OF BEECH BOTTOM	01-838-0011.0000
CB	DOLORIS VIRGINIA COEN	01-838-0012.0000
CA	THE VILLAGE OF BEECH BOTTOM	01-838-0013.0000
BZ	DENNIS RUSCHLE	01-838-0002.0000
BY	BUSINESS DEVELOPMENT CORP OF THE NORTHERN PANHANDLE	01-838-0013.0000
BX	WANDA S JONES	01-838-0014.0000
BW	MARISSA J FORSHEY	01-838-0023.0000
BV	MARISSA J FORSHEY	01-838-0022.0000
BU	DONALD E & PATRICIA A GILBERT	01-838-0034.0000
BT	MARISSA J & ROBERT B FORSHEY	01-838-0036.0000
BS	LINDA DARLIN SPECER	01-838-0037.0000
BR	CARL B LINDSEY	01-838-0038.0000
BQ	MORRIS BLEAU	01-838-0039.0000
BP	MORRIS W BLEAU	01-838-0040.0000
BK	MORRIS BLEAU	01-838-0041.0000
BN	DONALD & ROSEMARIE MEADOWS	01-838-0042.0000
BM	JOHN MILLER	01-838-0043.0000
BL	YAZSA NEGRI	01-838-0044.0000
BK	YAZSA R NEGRI	01-838-0045.0000
BJ	JOHN & VIOL E CORSO	01-838-0046.0000
BI	JOHN & VIOL E CORSO	01-838-0047.0000
BH	JOHN & VIOL E CORSO	01-838-0048.0000
BA	MARK & SHARON KAY JORDAN	01-838-0049.0000
BB	MARK L & SHARON KAY JORDAN	01-838-0050.0000
BA	JAMES D MEADOWS	01-838-0050.0002
BB	JAMES D MEADOWS	01-838-0050.0001
BC	CHARLES G & CHRISTINE L HOOD	01-838-0050.0003



DATE: 01-12-2020
 API NO: 43-009-00208
 DRAWN BY: R. GRIMES
 SCALE: N/A
 DRAWING NO: 2018-341
 WELL LOCATION PLAT



COMPANY: **Production Company, L.L.C.**
 OPERATOR: **KATHY MAYHEW BRK**
 WELL #: **201H**
 DISTRICT: **BUFFALO**
 COUNTY: **BROOKE**
 STATE: **WV**

REVISIONS: