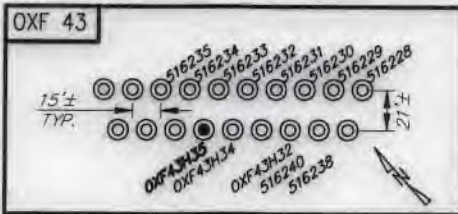
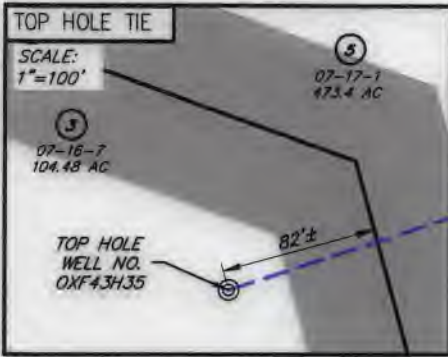


OXF43H35
OXF43
EQT Production Company

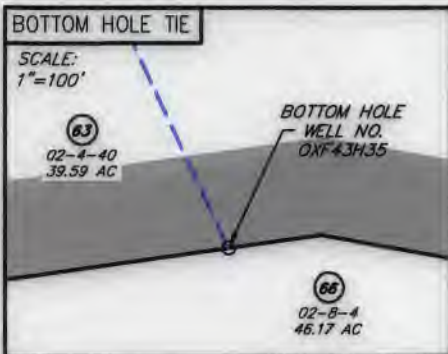


OXF43H35 Well Point Coordinates

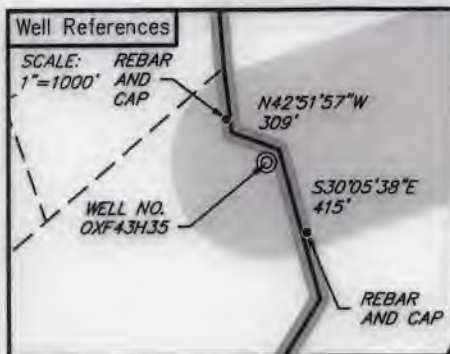
Top Hole Coordinates		
NAD 27 S.P.C. (Ft.)	N: 241,952.509	E: 1,633,346.353
NAD 27 GEO	LAT: 39.157057	LONG: 80.793003
NAD 83 UTM 17N (M)	N 4,334,235.6	E: 517,899.6
NAD 83 S.P.C. (Ft.)	N 241,987.8	E: 1,601,905.5
Landing Point Coordinates		
NAD 27 S.P.C. (Ft.)	N: 242,259.011	E: 1,636,026.302
NAD 27 GEO	LAT: 39.158004	LONG: 80.783569
NAD 83 UTM 17N (M)	N 4,334,342.6	E: 518,714.4
NAD 83 S.P.C. (Ft.)	N 242,294.4	E: 1,604,585.5
Bottom Hole Coordinates		
NAD 27 S.P.C. (Ft.)	N: 232,100.223	E: 1,640,822.484
NAD 27 GEO	LAT: 39.130302	LONG: 80.766152
NAD 83 UTM 17N (M)	N 4,331,272.2	E: 520,227.2
NAD 83 S.P.C. (Ft.)	N 232,135.8	E: 1,609,381.8



NO.	SURFACE OWNER
3	CATHY JEAN WETZEL, ET AL
5	RANDY E. & WILLIAM LEE HUFF
7	WM & RANDY HUFF DECEDENTS
8	ARNOLD DALE ALAN & BRYAN ALAN & DAVID LYNN GEE
49	JENNINGS T. STARCHER
50	JENNINGS T. STARCHER
51	JOHN E. & DEBRA L. RUPPERT
52	JAMES H. & JENNIE FOSTER
57	JANNETTE CONLEY
60	JANNETTE CONLEY
62	WILLIAM A. & SANDRA (MATHENY) ARMENTROUT
63	ROSS LEVINE



NO.	ADJACENT OWNER
47	LUCIUS M. TALLMAN, ET UX
48	MICHAEL & MARY ANN RUPPERT
53	JOHN E. & DEBRA L. RUPPERT
54	JOHN E. & DEBRA L. RUPPERT
55	MICHAEL R. RUPPERT JR. TRUST & VANESSA GAE MORGAN
56	MICHAEL & MARY ANN RUPPERT
61	MICHAEL & MARY ANN RUPPERT
66	RONALD G. & VERONICA N. CLAYPOOL



LEGEND

- ☆ EXISTING OIL/GAS WELL
- ⊙ WATER FEATURE
- ⊙ WELL HEAD TOP HOLE
- ▲ WELL LANDING POINT
- WELL BOTTOM HOLE
- REBAR FOUND
- DRILLED LATERAL LINE
- PERMITTED LATERAL LINE
- LEASE BOUNDARY
- PROPERTY LINE
- STREAM
- 500' LATERAL COLLECTION BUFFER



I, THE UNDERSIGNED, HEREBY CERTIFY THAT THIS PLAT IS CORRECT TO THE BEST OF MY KNOWLEDGE AND BELIEF AND SHOWS ALL THE INFORMATION REQUIRED BY LAW AND REGULATIONS ISSUED AND PRESCRIBED BY THE DEPARTMENT OF ENVIRONMENTAL PROTECTION.

[Signature]



FILE NO.: EES-60635
DRAWING NO.: OXF43_Well Plat
SCALE: 1" = 2000'
MINIMUM DEGREE OF ACCURACY: ±3'
PROVEN SOURCE OF ELEVATION: GPS

STATE OF WEST VIRGINIA
DEPARTMENT OF ENVIRONMENTAL PROTECTION
OFFICE OF OIL AND GAS

DATE: DECEMBER 15, 20 19
OPERATORS: OXF43H35
WELL NO.: OXF43H35
API WELL NO.: M60
47 017 06886
STATE COUNTY PERMIT

WELL TYPE: OIL GAS LIQUID INJECTION WASTE DISPOSAL (IF GAS) PRODUCTION: STORAGE DEEP SHALLOW
LOCATION, ELEVATION: 1229' (As-Built Pad) WATERSHED: Middle Fork Hughes River QUADRANGLE: OXFORD
DISTRICT: SOUTH WEST / COVE COUNTY: DODDRIDGE
SURFACE OWNER: Cathy Jean Wetzel, ET AL ACREAGE: 104.48± AC
ROYALTY OWNER: Franklin Maxwell Heirs L. P. LEASE NO.: 107429 ACREAGE: 255± AC
PROPOSED WORK: DRILL CONVERT DRILL DEEPER FRACTURE OR STIMULATE PLUG OFF OLD FORMATION
 PERFORATE NEW FORMATION OTHER PHYSICAL CHANGE IN WELL (SPECIFY) _____
 PLUG AND ABANDON CLEAN OUT AND REPLUG TARGET FORMATION: MARCELLUS ESTIMATED DEPTH: 6,647'

WELL OPERATOR: EQT Production Company
ADDRESS: 400 Woodcliff Drive
Canonsburg, PA 15317

DESIGNATED AGENT: Joseph C. Mallow
ADDRESS: 115 Professional Pl. P.O. Box 280
Bridgeport, WV 26330