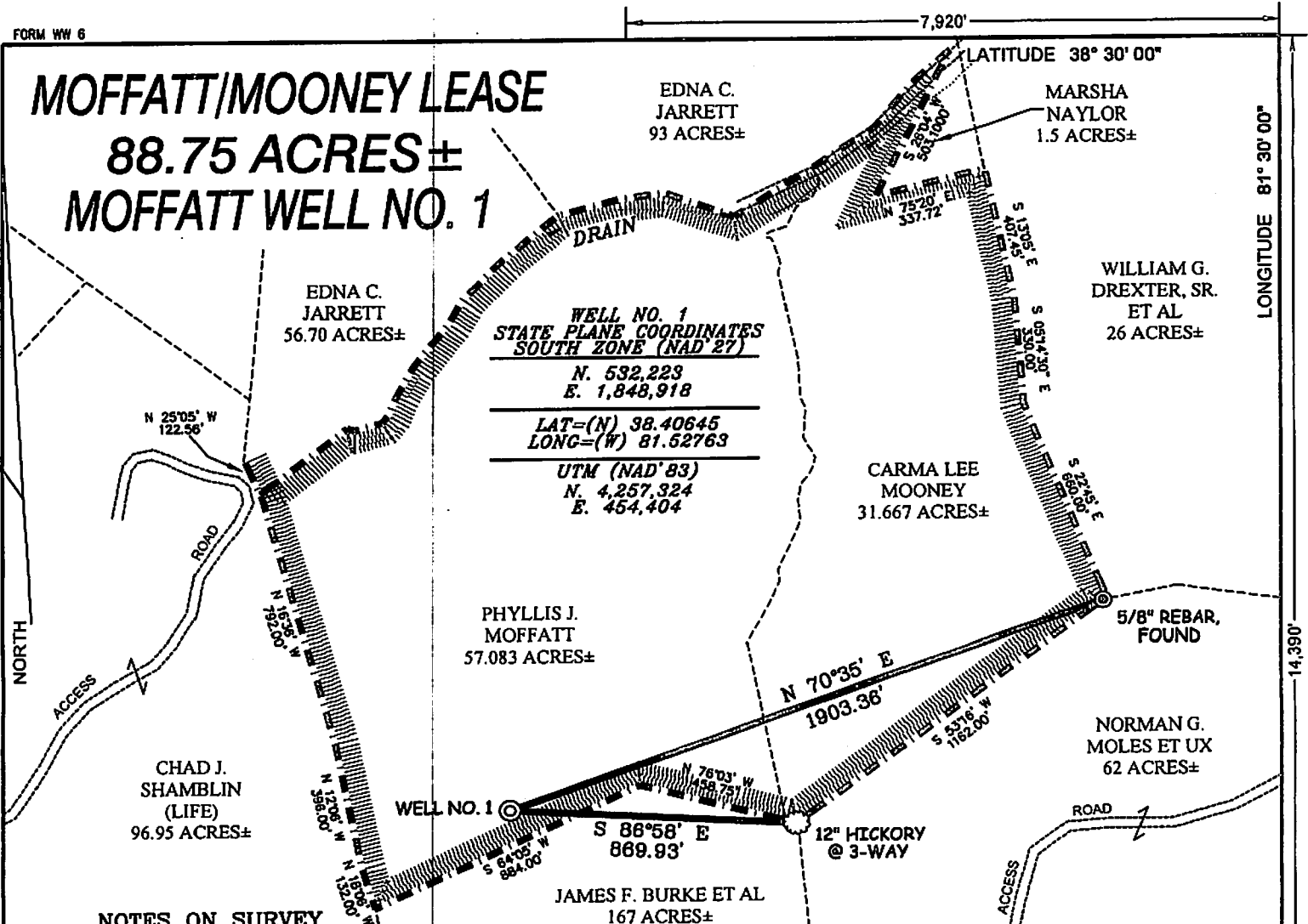


# MOFFATT/MOONEY LEASE

## 88.75 ACRES ±

### MOFFATT WELL NO. 1



**WELL NO. 1**  
**STATE PLANE COORDINATES**  
**SOUTH ZONE (NAD'27)**  
 N. 532,223  
 E. 1,848,918

---

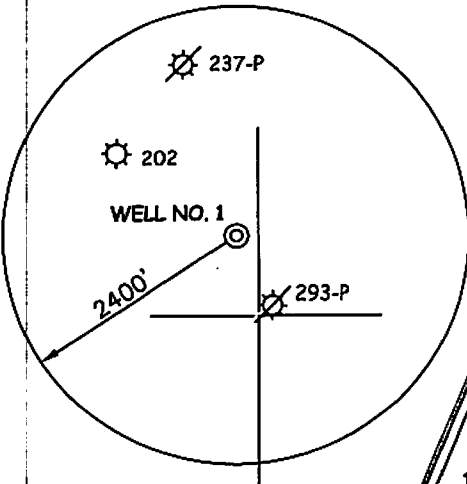
LAT=(N) 38.40645  
 LONG=(W) 81.52763

---

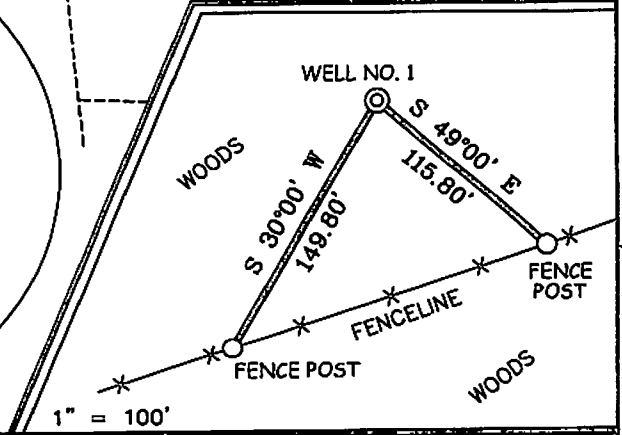
UTM (NAD'83)  
 N. 4,257,324  
 E. 454,404

**NOTES ON SURVEY**

1. TIES TO WELLS AND CORNERS ARE BASED ON GRID NORTH FOR THE WV STATE PLANE COORDINATE SYSTEM SOUTH ZONE NAD '27.
2. TIES TO REFERENCES ARE BASED ON MAGNETIC NORTH 5/19/11.
3. LEASE BOUNDARY SHOWN HEREON TAKEN FROM KANAWHA COUNTY DEED BOOK ??? PAGE ???.
4. SURFACE OWNER AND ADJOINER INFORMATION TAKEN FROM THE ASSESSOR AND COUNTY CLERK RECORDS OF KANAWHA COUNTY IN JULY, 2011.
5. WELL LAT./LONG. (NAD'27) ESTABLISHED BY DGPS(SUBMETER MAPPING GRADE).



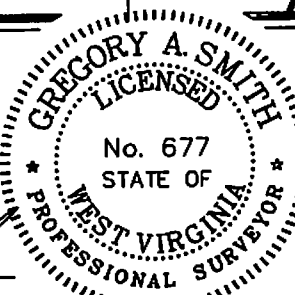
**REFERENCES**



I THE UNDERSIGNED, HEREBY CERTIFY THAT THIS PLAT IS CORRECT TO THE BEST OF MY KNOWLEDGE AND BELIEF AND SHOWS ALL THE INFORMATION REQUIRED BY LAW AND THE REGULATIONS ISSUED AND PRESCRIBED BY THE DIVISION OF ENVIRONMENTAL PROTECTION.

P.S. 677


*Gregory A. Smith*



(+) DENOTES LOCATION OF WELL ON UNITED STATES TOPOGRAPHIC MAPS.  
 DATE JUNE 06, 20 11  
 OPERATORS WELL NO. MOFFATT #1  
 API WELL NO. 47 - 039 - 06301  
 STATE COUNTY PERMIT

MINIMUM DEGREE OF ACCURACY 1/200 FILE NO. 7648P1A (362-32)  
 PROVEN SOURCE OF ELEVATION DGPS (SUBMETER MAPPING GRADE) SCALE 1" = 500'

STATE OF WEST VIRGINIA  
 DIVISION OF ENVIRONMENTAL PROTECTION  
 OFFICE OF OIL AND GAS



WELL TYPE: OIL  GAS  LIQUID WASTE IF INJECTION DISPOSAL "GAS" PRODUCTION  STORAGE DEEP SHALLOW

LOCATION: ELEVATION 1,039' WATERSHED TRIBUTARY OF AARONS FORK  
 DISTRICT ELK COUNTY KANAWHA QUADRANGLE BIG CHIMNEY 7.5'  
 SURFACE OWNER PHYLLIS J. MOFFATT ACREAGE 31.667±  
 ROYALTY OWNER CARMA LEE MOONEY & PHILLIS J. MOFFATT LEASE ACREAGE 88.75±  
 PROPOSED WORK: DRILL  CONVERT  DRILL DEEPER  REDRILL  FRACTURE OR STIMULATE  PLUG OFF OLD FORMATION  PERFORATE NEW FORMATION  PLUG AND ABANDON  CLEAN OUT AND REPLUG  OTHER   
 PHYSICAL CHANGE IN WELL (SPECIFY) \_\_\_\_\_ TARGET FORMATION LOWER HURON  
 ESTIMATED DEPTH 4,500'

WELL OPERATOR SCHULTZ RUN GAS COMPANY DESIGNATED AGENT PETE PAULEY  
 ADDRESS 300 CAPITOL ST. SUIT 1500 ADDRESS 300 CAPITOL ST. SUIT 1500  
CHARLESTON, WV 25301 CHARLESTON, WV 25301

COUNTY NAME PERMIT