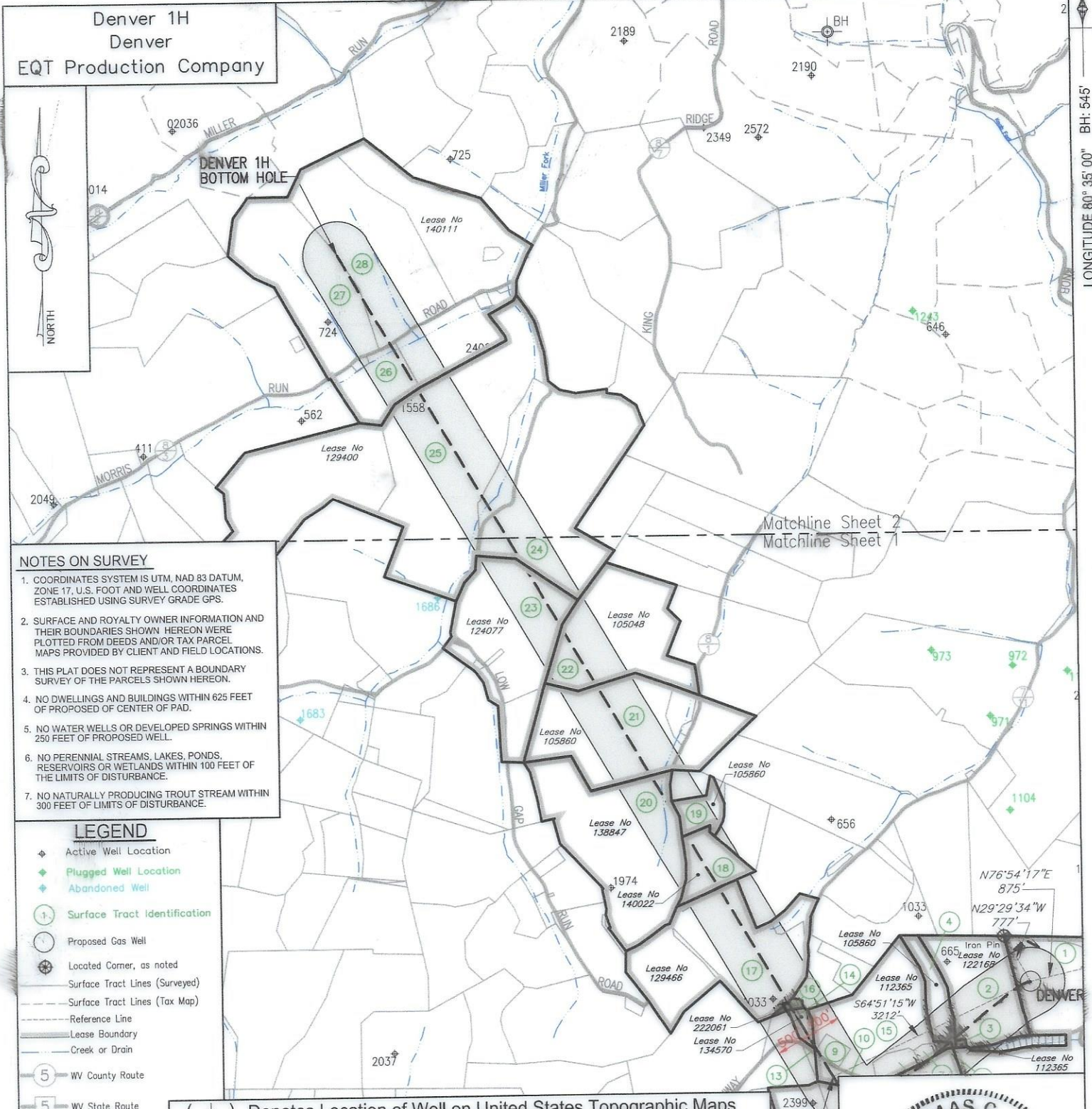


Denver 1H  
Denver  
EQT Production Company



**NOTES ON SURVEY**

1. COORDINATES SYSTEM IS UTM, NAD 83 DATUM, ZONE 17, U.S. FOOT AND WELL COORDINATES ESTABLISHED USING SURVEY GRADE GPS.
2. SURFACE AND ROYALTY OWNER INFORMATION AND THEIR BOUNDARIES SHOWN HEREON WERE PLOTTED FROM DEEDS AND/OR TAX PARCEL MAPS PROVIDED BY CLIENT AND FIELD LOCATIONS.
3. THIS PLAT DOES NOT REPRESENT A BOUNDARY SURVEY OF THE PARCELS SHOWN HEREON.
4. NO DWELLINGS AND BUILDINGS WITHIN 625 FEET OF PROPOSED OF CENTER OF PAD.
5. NO WATER WELLS OR DEVELOPED SPRINGS WITHIN 250 FEET OF PROPOSED WELL.
6. NO PERENNIAL STREAMS, LAKES, PONDS, RESERVOIRS OR WETLANDS WITHIN 100 FEET OF THE LIMITS OF DISTURBANCE.
7. NO NATURALLY PRODUCING TROUT STREAM WITHIN 300 FEET OF LIMITS OF DISTURBANCE.

**LEGEND**

- ◆ Active Well Location
- ◆ Plugged Well Location
- ◆ Abandoned Well
- ① Surface Tract Identification
- Proposed Gas Well
- ⊕ Located Corner, as noted
- Surface Tract Lines (Surveyed)
- - - Surface Tract Lines (Tax Map)
- - - Reference Line
- Lease Boundary
- Creek or Drain
- ⑤ WV County Route
- ⑤ WV State Route

( ⊕ ) Denotes Location of Well on United States Topographic Maps



I, the undersigned, hereby certify that this plat is correct to the best of my knowledge and belief and shows all the information required by law and the regulations issued and prescribed by the Department of Environmental Protection.

*Thomas C. Smit*

L. L. S. 687



SEAL

FILE NO: \_\_\_\_\_  
 DRAWING NO: \_\_\_\_\_  
 SCALE: 1" = 2000'  
 MINIMUM DEGREE OF ACCURACY: 1:2500  
 PROVEN SOURCE OF ELEVATION: NGS CORS Station

STATE OF WEST VIRGINIA  
 DEPARTMENT OF ENVIRONMENTAL PROTECTION  
 OIL AND GAS DIVISION

DATE: MAY 02 20 23  
 OPERATORS WELL NO: Denver 1H  
 API WELL NO  
 47 - 103 - 03513  
 STATE COUNTY PERMIT

WELL TYPE:  OIL  GAS  LIQUID INJECTION  WASTE DISPOSAL  
 (IF GAS) PRODUCTION:  STORAGE  DEEP  SHALLOW

LOCATION ELEVATION: 1,351' WATERSHED: LOWER WEST VIRGINIA FORK FISH CREEK QUADRANGLE: LITTLETON  
 DISTRICT: Center COUNTY: Wetzel

SURFACE OWNER: EQT Production Company ACREAGE: 147.39 ±  
 ROYALTY OWNER: Bounty Minerals, LLC, et al. LEASE NO: 124506 ACREAGE: 128 ±

PROPOSED WORK:  DRILL  CONVERT  DRILL DEEPER  FRACTURE OR STIMULATE  PLUG OFF OLD FORMATION  
 PERFORATE NEW FORMATION  OTHER PHYSICAL CHANGE IN WELL (SPECIFY)

PLUG AND ABANDON  CLEAN OUT AND REPLUG TARGET FORMATION: Marcellus ESTIMATED DEPTH: 7,471'

WELL OPERATOR: EQT Production Company DESIGNATED AGENT: Joseph C Mallow  
 ADDRESS: 400 Woodcliff Drive ADDRESS: 427 Midstate Drive  
 Canonsburg, PA 15317 Clarksburg, WV 26301

06/16/2023



Denver 1H  
Denver  
EQT Production Company



Matchline Sheet 2  
Matchline Sheet 1

**NOTES ON SURVEY**

1. COORDINATES SYSTEM IS UTM, NAD 83 DATUM, ZONE 17, U.S. FOOT AND WELL COORDINATES ESTABLISHED USING SURVEY GRADE GPS.
2. SURFACE AND ROYALTY OWNER INFORMATION AND THEIR BOUNDARIES SHOWN HEREON WERE PLOTTED FROM DEEDS AND/OR TAX PARCEL MAPS PROVIDED BY CLIENT AND FIELD LOCATIONS.
3. THIS PLAT DOES NOT REPRESENT A BOUNDARY SURVEY OF THE PARCELS SHOWN HEREON.
4. NO DWELLINGS AND BUILDINGS WITHIN 625 FEET OF PROPOSED OF CENTER OF PAD.
5. NO WATER WELLS OR DEVELOPED SPRINGS WITHIN 250 FEET OF PROPOSED WELL.
6. NO PERENNIAL STREAMS, LAKES, PONDS, RESERVOIRS OR WETLANDS WITHIN 100 FEET OF THE LIMITS OF DISTURBANCE.
7. NO NATURALLY PRODUCING TROUT STREAM WITHIN 300 FEET OF LIMITS OF DISTURBANCE.

**LEGEND**

- ⊕ Active Well Location
- ◆ Plugged Well Location
- ⊖ Abandoned Well
- ① Surface Tract Identification
- Proposed Gas Well
- ⊗ Located Corner, as noted
- Surface Tract Lines (Surveyed)
- - - Surface Tract Lines (Tax Map)
- - - Reference Line
- ▬ Lease Boundary
- Creek or Drain
- ⑤ WV County Route
- ⑤ WV State Route

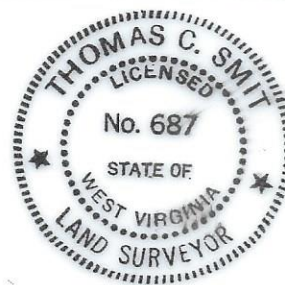
( ⊕ ) Denotes Location of Well on United States Topographic Maps



I, the undersigned, hereby certify that this plat is correct to the best of my knowledge and belief and shows all the information required by law and the regulations issued and prescribed by the Department of Environmental Protection.

*Thomas C. Smit*

L. L. S. 687



SEAL

FILE NO:

DRAWING NO:

SCALE: 1" = 2000'

MINIMUM DEGREE OF ACCURACY:  
1:2500

PROVEN SOURCE OF ELEVATION:  
NGS CORS Station

STATE OF WEST VIRGINIA  
DEPARTMENT OF ENVIRONMENTAL PROTECTION  
OIL AND GAS DIVISION



DATE: MAY 02 20 23

OPERATORS WELL NO: Denver 1H

API WELL NO

47 - 103 - 03513

STATE COUNTY PERMIT

WELL TYPE:  OIL  GAS  LIQUID INJECTION  WASTE DISPOSAL  
(IF GAS) PRODUCTION:  STORAGE  DEEP  SHALLOW

LOCATION ELEVATION: 1,351' WATERSHED: LOWER WEST VIRGINIA FORK FISH CREEK QUADRANGLE: LITTLETON  
DISTRICT: Center COUNTY: Wetzel

SURFACE OWNER: EQT Production Company ACRES: 117.99±  
ROYALTY OWNER: Bounty Minerals, LLC, et al. LEASE NO: 124506 ACREAGE: 128±

PROPOSED WORK:  DRILL  CONVERT  DRILL DEEPER  FRACTURE OR STIMULATE  PLUG OFF OLD FORMATION  
 PERFORATE NEW FORMATION  OTHER PHYSICAL CHANGE IN WELL (SPECIFY)  
 PLUG AND ABANDON  CLEAN OUT AND REPLUG TARGET FORMATION: Marcellus ESTIMATED DEPTH: 7,471'

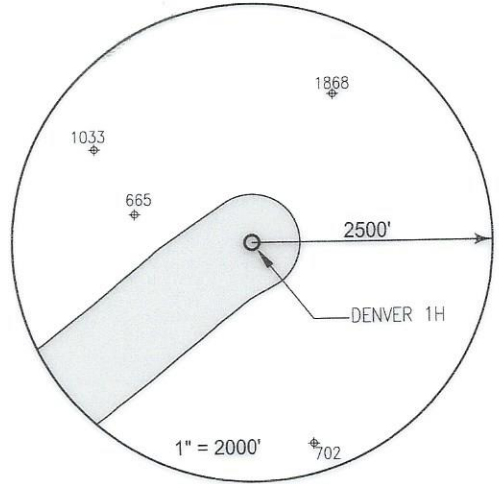
WELL OPERATOR: EQT Production Company DESIGNATED AGENT: Joseph C Mallow  
ADDRESS: 400 Woodcliff Drive ADDRESS: 427 Midstate Drive  
Canonsburg, PA 15317 Clarksburg, WV 26301

06/16/2023



Denver 1H  
Denver  
EQT Production Company

Tract ID.	Tax Map No.	Parcel No.	County	District	Surface Tract Owner	Acres
1	16	38.0	Wetzel	Center	EQT Production Company	117.39
2	15	41.0	Wetzel	Center	Margo Coman	39.00
3	15	49.0	Wetzel	Center	Margo Coman	0.42
4	15	40.0	Wetzel	Center	Donald D. & Desiree J. Shreve	31.25
5	15	63.0	Wetzel	Center	Lora J. Whiteman	22.50
6	15	39.2	Wetzel	Center	Donald D. & Desiree J. Shreve	0.77
7	15	39.3	Wetzel	Center	Garold C. & Debra L. Postliethwait	1.49
8	15	39.0	Wetzel	Center	Brian K. Titus	5.50
9	15	39.5	Wetzel	Center	Brian K. Titus	3.00
10	15	39.1	Wetzel	Center	David R. & Lana S. White	5.22
11	15	62.0	Wetzel	Center	Lora J. Whiteman	60.76
12	15	62.1	Wetzel	Center	David R. & Lana S. White	4.99
13	15	48.0	Wetzel	Center	Margo Coman	2.40
14	15	36.0	Wetzel	Center	Randy C. & Windy A. Huggins	2.60
15	15	39.4	Wetzel	Center	Randy C. & Windy A. Huggins	48.77
16	15	37.0	Wetzel	Center	Low Gap Community Church	0.34
17	15	34.0	Wetzel	Center	George E. Richard E Firmstone & Emerson Zelmere	48.87
18	15	23.0	Wetzel	Center	Eugene C. Sole & Thomas E. Sole	17.80
19	15	4.0	Wetzel	Center	Ray S. Sapp & Charles Roberts	7.70
20	15	21.0	Wetzel	Center	Ray S. Sapp	89.29
21	15	4.7	Wetzel	Center	Bary L. & Rita A. Clark	67.50
22	11	36.0	Wetzel	Center	Arnold Elmus Hartley	67.50
23	11	31.0	Wetzel	Center	Georgia M. & Gerald F. Rice	61.41
24	11	20.0	Wetzel	Center	Green Dot Farm Inc	108.00
25	11	16.0	Wetzel	Center	Green Dot Farm Inc	158.00
26	11	15.0	Wetzel	Center	Green Dot Farm Inc	132.00
27	11	1.0	Wetzel	Center	Hubert Morris & Billy Morris	43.00
28	11	2.0	Wetzel	Center	EQT Production Company	82.00



Lease	Owner	Acres
124506	Bounty Minerals, LLC, et al.	128 ac
122168	Ridgetop Royalties, LLC	40 ac
105860	Stone Hill Mineral Holdings, LLC	1,694.69 ac
112365	Ridgetop Royalties, LLC, et al.	59.66 ac
104573	Amie N. Ely and Daniel B. Whiteman	94.06 ac
215759	David R. White and Lana S. White, JTRCS	4.995 ac
134570	Patricia L. Kennedy, et al.	3.14 ac
222061	Dale Ioe	0.375 ac
129466	Alisa Faye Sundy, et al.	84 ac
140022	Forrest O. Miller, et al.	91.36 ac
138847	Ray S. Sapp	97 ac
105048	Stone Hill Minerals Holdings, LLC, et al.	67.5 ac
124077	SW2 Minerals, LLC, et al.	72.5 ac
129400	Timothy J. Ashcraft, et al.	398 ac
140111	TH Exploration II, LLC, et al.	233 ac

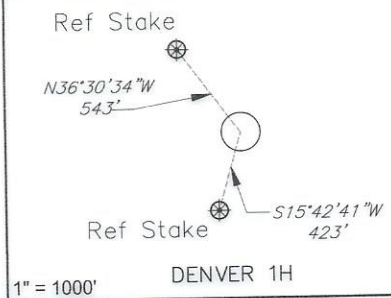
**Notes:**  
DENVER 1H Top Hole coordinates are  
NAD 27 N: 415,406.653 E: 1,701,457.507  
NAD 27 Lat: 39.635696 Long: -80.560051  
NAD 83 UTM N: 4,387,425.983 E: 537,769.153

DENVER 1H Landing Point coordinates are  
NAD 27 N: 414,041.721 E: 1,698,549.689  
NAD 27 Lat: 39.631854 Long: -80.570317  
NAD 83 UTM N: 4,386,995.323 E: 536,890.166

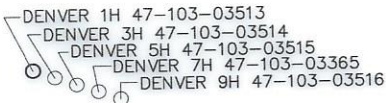
DENVER 1H Bottom Hole coordinates are  
NAD 27 N: 426,236.348 E: 1,691,467.211  
NAD 27 Lat: 39.665097 Long: -80.595990  
NAD 83 UTM N: 4,390,674.466 E: 534,670.486

West Virginia Coordinates system of 1927 (North Zone)  
based upon Differential GPS Measurements  
Plat orientation, Corner and well ties are based upon  
the grid north meridian  
Well location references are based upon the grid north  
meridian.  
UTM coordinates are NAD83, Zone 17, Meters.

**Well References**



**DENVER PAD**



I, the undersigned, hereby certify that this plat is correct to the best of my knowledge and belief and shows all the information required by law and the regulations issued and prescribed by the Department of Environmental Protection.

*L. L. S. 687*  
L. L. S. 687



SEAL

FILE NO: \_\_\_\_\_  
DRAWING NO: \_\_\_\_\_  
SCALE: 1" = 1000'  
MINIMUM DEGREE OF ACCURACY: 1:2500  
PROVEN SOURCE OF ELEVATION: NGS CORS Station



DATE: MAY 02 20 23  
OPERATORS WELL NO: Denver 1H  
API WELL NO: 47 - 103 - 03513  
STATE COUNTY PERMIT

WELL TYPE:  OIL  GAS  LIQUID INJECTION  WASTE DISPOSAL  
(IF GAS) PRODUCTION:  STORAGE  DEEP  SHALLOW

LOCATION ELEVATION: 1,351' WATERSHED: LOWER WEST VIRGINIA FORK FISH CREEK QUADRANGLE: LITTLETON  
DISTRICT: Center COUNTY: Wetzel

SURFACE OWNER: EQT Production Company ACREAGE: 128 ±  
ROYALTY OWNER: Bounty Minerals, LLC, et al. LEASE NO: 124506 ACREAGE: 128 ±

PROPOSED WORK:  DRILL  CONVERT  DRILL DEEPER  FRACTURE OR STIMULATE  PLUG OFF OLD FORMATION  
 PERFORATE NEW FORMATION  OTHER PHYSICAL CHANGE IN WELL (SPECIFY) \_\_\_\_\_  
 PLUG AND ABANDON  CLEAN OUT AND REPLUG TARGET FORMATION: Marcellus ESTIMATED DEPTH: 7,471'

WELL OPERATOR: EQT Production Company DESIGNATED AGENT: Joseph C Mallow  
ADDRESS: 400 Woodcliff Drive ADDRESS: 427 Midstate Drive  
Canonsburg, PA 15317 Clarksburg, WV 26301

06/16/2023