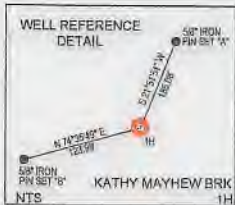


LATITUDE: 40°15'00" BOTTOM HOLE (2000' SCALE)

7316'



68011 Vineyard Road
St. Clairsville, Ohio 43950
740-695-6100



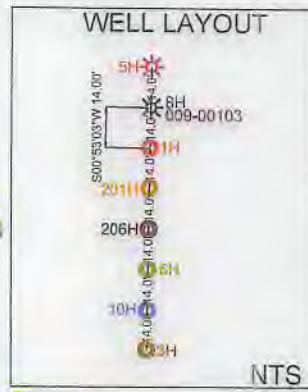
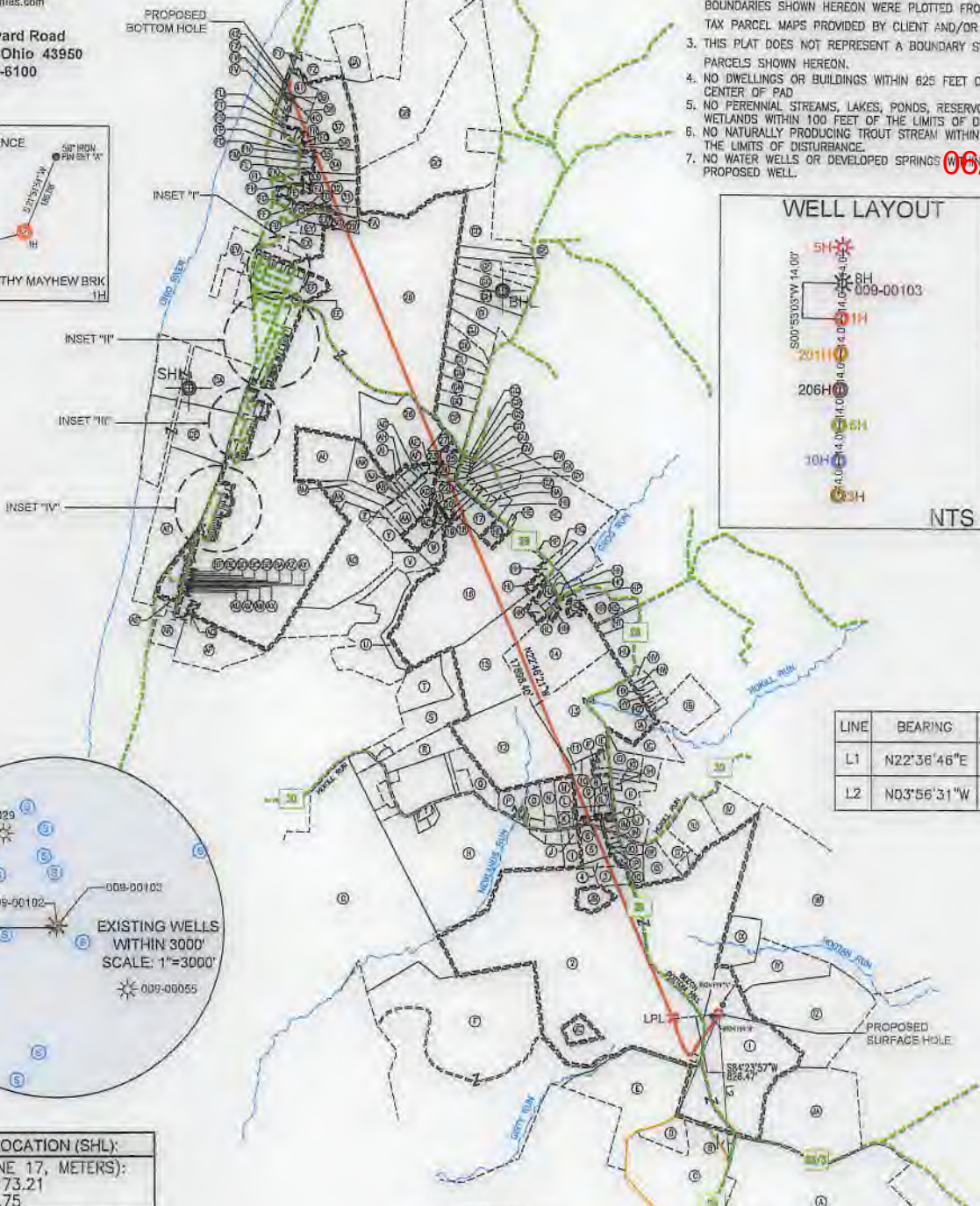
LATITUDE: 40°12'30" SURFACE HOLE (2000' SCALE)

11053'

NOTES ON SURVEY

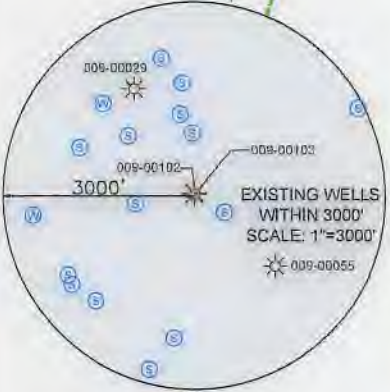
1. COORDINATE SYSTEM IS UTM NAD 83 DATUM, ZONE 17, U.S. FOOT AND WELL COORDINATES ESTABLISHED USING SURVEY GRADE GPS.
2. SURFACE AND ROYALTY OWNER INFORMATION AND THEIR BOUNDARIES SHOWN HEREON WERE PLOTTED FROM DEEDS AND/OR TAX PARCEL MAPS PROVIDED BY CLIENT AND/OR FIELD LOCATIONS.
3. THIS PLAT DOES NOT REPRESENT A BOUNDARY SURVEY OF THE PARCELS SHOWN HEREON.
4. NO DWELLINGS OR BUILDINGS WITHIN 625 FEET OF PROPOSED CENTER OF PAD
5. NO PERENNIAL STREAMS, LAKES, PONDS, RESERVOIRS OR WETLANDS WITHIN 100 FEET OF THE LIMITS OF DISTURBANCE.
6. NO NATURALLY PRODUCING TROUT STREAM WITHIN 300 FEET OF THE LIMITS OF DISTURBANCE.
7. NO WATER WELLS OR DEVELOPED SPRINGS WITHIN 300 FEET OF PROPOSED WELL.

06/07/2019



GRID NORTH
UTM, NAD83 DATUM, ZONE 17, US FT

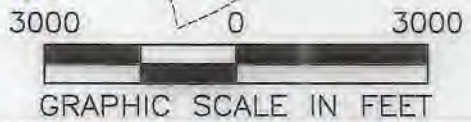
LINE	BEARING	DISTANCE
L1	N22°36'46"E	1945.50'
L2	N03°56'31"W	2565.43'



SURFACE HOLE LOCATION (SHL):
UTM (NAD83, ZONE 17, METERS):
NORTHING: 4449173.21
EASTING: 532116.75

LANDING POINT LOCATION (LPL):
UTM (NAD83, ZONE 17, METERS):
NORTHING: 4449144.43
EASTING: 531866.60

BOTTOM HOLE LOCATION (BHL):
UTM (NAD83, ZONE 17, METERS):
NORTHING: 4454136.65
EASTING: 529671.83

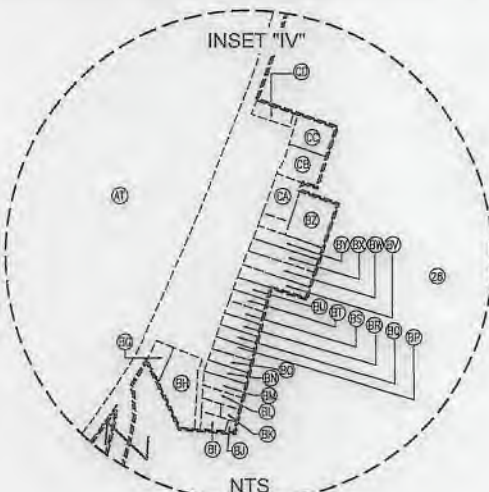
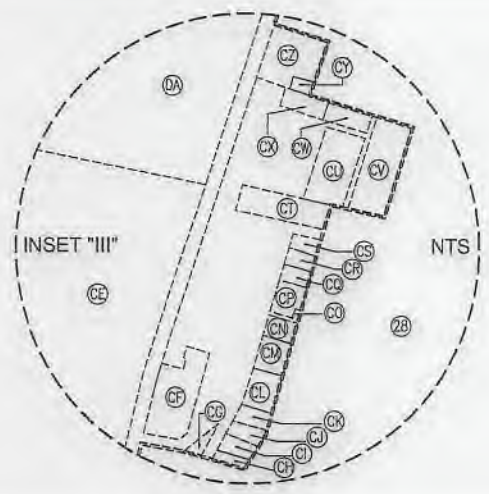
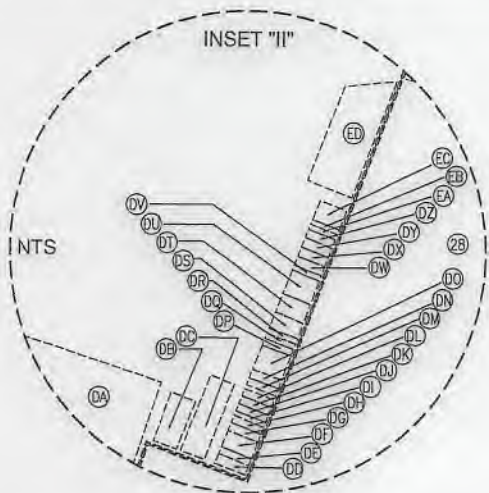
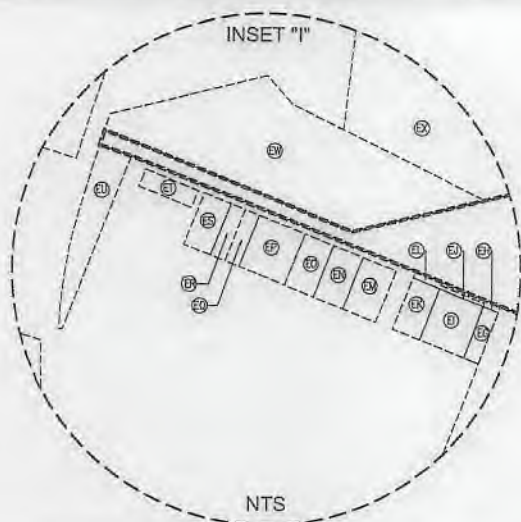


I, THE UNDERSIGNED, HEREBY CERTIFY THAT THIS PLAT IS CORRECT TO THE BEST OF MY KNOWLEDGE AND BELIEF AND SHOWS ALL THE INFORMATION REQUIRED BY LAW AND REGULATIONS ISSUED AND PRESCRIBED BY THE DEPARTMENT OF ENVIRONMENTAL PROTECTION.

P.S. 2275 *David L. Jensen* 4/26/2019

SWN Production Company, LLC **SWN** Production Company™



<p>(+) DENOTES LOCATION OF WELL ON UNITED STATES TOPOGRAPHIC MAPS</p> <p>WVDEP OFFICE OF OIL & GAS 601 57TH STREET CHARLESTON, WV 25034</p>	<p>MINIMUM DEGREE OF ACCURACY: 1/200</p> <p>PROVEN SURVEY SOURCE OF ELEVATION: SURVEY GRADE GPS (NAVD 88, US FT)</p>	<p>KATHY MAYHEW BRK</p> <p>OPERATOR'S WELL #: 1H</p> <p>API WELL #: 47 009 00203 STATE COUNTY PERMIT</p>						
	<p>WELL TYPE: OIL <input type="checkbox"/> WASTE DISPOSAL <input type="checkbox"/> PRODUCTION <input checked="" type="checkbox"/> DEEP <input type="checkbox"/> GAS <input checked="" type="checkbox"/> LIQUID INJECTION <input type="checkbox"/> STORAGE <input type="checkbox"/> SHALLOW <input checked="" type="checkbox"/></p> <p>WATERSHED: UPPER OHIO SOUTH ELEVATION: 1,281.2'</p> <p>DISTRICT: BUFFALO COUNTY: BROOKE QUADRANGLE: BETHANY, WV & TILTONSVILLE, OH</p> <p>SURFACE OWNER: KATHY LYNN & JAMES MAYHEW, ET AL ACREAGE: ±84.74</p> <p>OIL & GAS ROYALTY OWNER: KATHY LYNN & JAMES MAYHEW, ET AL ACREAGE: ±84.74</p> <p>DRILL <input checked="" type="checkbox"/> DRILL DEEPER <input type="checkbox"/> REDRILL <input type="checkbox"/> FRACTURE OR STIMULATE <input checked="" type="checkbox"/> PLUG OFF OLD FORMATION <input type="checkbox"/> PERFORATE NEW FORMATION <input type="checkbox"/></p> <p>CONVERT <input type="checkbox"/> PLUG & ABANDON <input type="checkbox"/> CLEAN OUT & REPLUG <input type="checkbox"/> OTHER CHANGE <input type="checkbox"/> (SPECIFY)</p> <p>TARGET FORMATION: MARCELLUS ESTIMATED DEPTH: 6,020' TVD 24,444' TMD</p>	<p>WELL OPERATOR: SWN PRODUCTION COMPANY, LLC ADDRESS: 1300 FORT PIERPONT DRIVE, SUITE 201 CITY: MORGANTOWN STATE: WV ZIP CODE: 26508</p> <p>DESIGNATED AGENT: BRITTANY WOODY ADDRESS: 1300 FORT PIERPONT DRIVE, SUITE 201 CITY: MORGANTOWN STATE: WV ZIP CODE: 26508</p>						
<p>LEGEND:</p> <ul style="list-style-type: none"> PROPOSED SURFACE HOLE / BOTTOM HOLE EXISTING / PRODUCING WELLHEAD LPL LANDING POINT LOCATION EXISTING WATER WELL EXISTING SPRING PUBLIC ROAD SURVEYED BOUNDARY LEASE BOUNDARY PROPOSED PATH 	<p>REVISIONS:</p> <table border="1"> <tr> <td>DATE: 04-26-2019</td> </tr> <tr> <td>API NO: 47-009-00203</td> </tr> <tr> <td>DRAWN BY: D. REED</td> </tr> <tr> <td>SCALE: 1" = 3000'</td> </tr> <tr> <td>DRAWING NO: 2018-341</td> </tr> <tr> <td>WELL LOCATION PLAT</td> </tr> </table>	DATE: 04-26-2019	API NO: 47-009-00203	DRAWN BY: D. REED	SCALE: 1" = 3000'	DRAWING NO: 2018-341	WELL LOCATION PLAT	
DATE: 04-26-2019								
API NO: 47-009-00203								
DRAWN BY: D. REED								
SCALE: 1" = 3000'								
DRAWING NO: 2018-341								
WELL LOCATION PLAT								



WELL BORE TABLE FOR SURFACE / ROYALTY OWNERS		
TRACT	SURFACE OWNER (S) / ROYALTY OWNER (R)	TAX PARCEL
1	KATHY LYNN & JAMES MAYHEW, ET AL (S/R)	03-B42-27
2	JAY GLEN COLLINS	03-B41-80
3	JAY GLEN COLLINS	03-B41-79
4	SANDRA W. BUTLER	03-B41-78
5	SANDRA W. BUTLER	03-B41-72
6	RUTH A. HERCULES	03-B41-88
7	GARY MORRIS	03-B41-90
8	RUTH A. HERCULES	03-B41-91
9	CHARLES J. SUTER & D. LA VAUGHN	03-B41-94
10	ELIZABETH ELLEN FLUHARTY	03-B41-95
11	ERNEST F. & JOANNE P. CAPP	03-B41-98
12	ERNEST F. & JOANNE P. CAPP	03-B41-64
13	LORETTA JOAN BASIL	03-B41-99
14	CAROL L. DUFFY	03-B36-113
15	MARK PHILLIPS, ET AL	03-B36-107
16	WINDSOR POWER HOUSE COAL COMPANY	03-B36-104
17	KEITH HAMILTON	03-B36L-37
18	KEITH L. HAMILTON	03-B36L-35
19	KEITH L. HAMILTON	03-B36L-34
20	FLOYD R. & DORIS M. LOUGHRIE	03-B36L-32
21	FLOYD R. & DORIS M. LOUGHRIE	03-B36L-30
22	DAVID W. DEWITT	03-B36L-31
23	HUBERT ESTES & ERMA HEADEN	03-B36L-29
24	HUBERT ESTES & ERMA HEADEN	03-B36L-02
25	JOHN BADO	03-B36L-01
26	LESTER & KATHERINE WALLACE	03-B36G-01
27	JOHN BADO	03-B36G-02
28	BUSINESS DEVELOPMENT CORP OF THE NORTHERN PANHANDLE	01-BB36-23.1
29	LOUIS & ARLINE MILLER	03-B36-06
30	LOUIS & ARLINE MILLER	03-B36-05
31	UNKNOWN	03-B31-74
32	OTIS M., JR & EDNA JO BAKER	01-BB31-19
33	ALBERT T. & SHEILA PELL	01-BB31-25
34	CARL P. & MARGARET NIELSON	03-B31-58
35	GLADYS VIRGINIA CROW	01-BB31-32
36	HAROLD THOMAS CROW	01-BB31-33
37	CARL P. & MARGARET NIELSEN	01-B31-58
38	ALADDIN SIGNS, INC	01-BB31-54
39	PAUL T. BILLIARD	01-BB31-53
40	PAUL T. BILLIARD	01-BB31-52
41	ALADDIN SIGNS, INC	01-BB31-55
42	STATE ROUTE #2	RIGHT OF WAY

06/07/2019

ADJOINING OWNERS TABLE		
TRACT	SURFACE OWNER	TAX PARCEL
A	JOSEPH S. & JANE M. BUREK	03-B47-19
B	JAMES LAMONT	03-B47-1
C	BETSY D. TUSTIN	03-B47-2-1
D	DALE T. & MARY R. WOOD	03-B46-46
E	MARY WOOD	03-B41-84
F	BARRY L. & PATRICIA A. GREATHOUSE	03-B41-82
G	ROBERT J. MILLER, JR., LINDA MILLER & ET AL	03-B41-47
H	WILLIAM & DAWNA MILLER	03-B41-61
I	SANDRA W. BUTLER	03-B41-71
J	RONALD C. BUTLER, ET AL	03-B41-70
K	FRANK & KELLEY AINSCOUGH	03-B41-89
L	FRANK & KELLEY AINSCOUGH	03-B41-61-7
M	DANIEL R. GORBY	03-B41-61-6
N	COREY CONLEY	03-B41-61-5
O	CARL & JUDITH SPENCER	03-B41-65
P	EMILY J. HUFFNER	03-B41-65-1
Q	ERNEST & JOANN P. CAPP	03-B41-63
R	ERNEST & JOANN PAULINE CAPP	03-B41-53
S	ERNEST F. & JOANNE CAPP	03-B41-52
T	WINDSOR POWER HOUSE COAL COMPANY	03-B41-49
U	WINDSOR POWER HOUSE COAL COMPANY	03-B36-103
V	WINDSOR POWER HOUSE COAL COMPANY	03-B36-101
W	WINDSOR POWER HOUSE COAL COMPANY	03-B36L-36
X	WINDSOR POWER HOUSE COAL COMPANY	03-B36L-33
Y	WINDSOR POWER HOUSE COAL COMPANY	03-B36L-21
Z	WINDSOR POWER HOUSE COAL COMPANY	03-B36L-22
AA	WINDSOR POWER HOUSE COAL COMPANY	03-B36L-23
AB	WINDSOR POWER HOUSE COAL COMPANY	03-B36L-25
AC	WINDSOR POWER HOUSE COAL COMPANY	03-B36L-26
AD	WINDSOR POWER HOUSE COAL COMPANY	03-B36L-28
AE	LESTER & KATHERINE WALLACE	03-B36L-03
AF	LESTER & KATHERINE WALLACE	03-B36L-04
AG	LESTER & KATHERINE WALLACE	03-B36L-05
AH	NICHOLAS S. MINDA (L/E: NORA J. MINDA)	03-B36L-07
AI	LESTER & KATHERINE WALLACE	03-B36L-08

REVISIONS:	COMPANY:	 	
	OPERATOR'S	KATHY MAYHEW BRK	
	WELL #:	1H	
	DISTRICT:	COUNTY:	STATE:
	BUFFALO	BROOKE	WV
			DATE: 04-26-2019
			API NO: 47-009-00203
			DRAWN BY: D. REED
			SCALE: N/A
			DRAWING NO: 2018-341
			WELL LOCATION PLAT


ADJOINING OWNERS TABLE		
TRACT	SURFACE OWNER	TAX PARCEL
AJ	BARBARA J. SWIGER	03-B36L-10
AK	TAMMY R. & RANDOLPH L. CLARK	03-B36L-11
AL	KRISTINA L. & JEFFREY M. BARR	03-B36L-11.1
AM	AMANDA HUFF	03-B36L-17
AN	CONNIE WAGNER	03-B36L-15
AO	BRIAN D. & CASEY K. RICHARDSON	03-B36L-21.1
AP	WINDSOR POWER HOUSE COAL COMPANY	03-B36-91
AQ	WINDSOR POWER HOUSE COAL COMPANY	03-BB36-22
AR	WINDSOR POWER HOUSE COAL COMPANY	03-BB36-25
AS	RALPH & MARY ANN PLANTS	03-BB36-04
AT	BUSINESS DEVELOPMENT CORP OF THE NORTHERN PANHANDLE	03-BB36-01
AU	PAUL & GENEVIEVE CUNNINGHAM	01-BB36-17
AV	PAUL & MARY G. CUNNINGHAM	01-BB36-16
AW	FRANKLIN MILLER	01-BB36-15
AX	FRANKLIN MILLER	01-9B36-14
AY	FRANKLIN MILLER	01-BB36-13
AZ	FRANKLIN MILLER	01-BB36-12
BA	FRANKLIN & CONNIE J. MILLER	01-BB36-11
BB	FRANKLIN & CONNIE J. MILLER	01-BB36-10
BC	CHERYL E. SMITH & LINDA CURIA (L/E: ROBERT & JOANN SMITH)	01-BB36-09
BD	STEVEN ANDREW & DEBBIE LYNN MURDOCK	01-BB36-08
BE	DANIEL L. & CATHY J. JOHNSTON	01-BB36-07
BF	LELAND J. & TRACY A. DICKINSON	01-BB36-06
BG	CHRISTOPHER DEAN	01-B36K-30
BH	CHARLES G. & CHRISTINE L. HOOD	01-B36K-31
BI	CHARLES G. & CHRISTINE L. HOOD	01-B36K-50.3
BJ	JAMES D. MEADOWS	01-B36K-50.1
BK	JAMES D. MEADOWS	01-B36K-50.2
BL	MARK L. & SHARON KAY JORDAN	01-B36K-50
BM	MARK L. & SHARON KAY JORDAN	01-B36K-49
BN	JOHN & VIOLET E. CORSO	01-B36K-48
BO	JOHN & VIOLET E. CORSO	01-B36K-47
BP	JOHN & VIOLET E. CORSO	01-B36K-46
BQ	AYLSSA R. NEGRI	01-B36K-45
BR	AYLSSA NEGRI	01-B36K-44
BS	JOHN MILLER	01-B36K-43
BT	DONALD & ROSEMARIE MEADOWS	01-B36K-42
BU	MORRIS BLEAU	01-B36K-41
BV	MORRIS W. BLEAU	01-B36K-40
BW	MORRIS BLEAU	01-B36K-39
BX	CARL B. LINDSEY	01-B36K-38
BY	LINDA DARLIN SPENCER	01-B36K-37
BZ	MARISSA J. & ROBERT B. FORSHEY	01-B36K-36
CA	DONALD E. & PATRICIA A. GILBERT	01-B36K-34
CB	MARISSA J. FORSHEY	01-B36K-33
CC	MARISSA J. FORSHEY	01-B36K-32
CD	WANDA S. JONES	01-B36K-14
CE	BUSINESS DEVELOPMENT CORP OF THE NORTHERN PANHANDLE	01-B36K-13
CF	DENNIS RUSCHIEL	01-B36K-02
CG	VILLAGE OF BEECH BOTTOM	01-B36K-03
CH	DOLORES VIRGINIA COEN	01-B36K-12
CI	VILLAGE OF BEECH BOTTOM	01-B36K-11
CJ	CURTIS D. & TINA L. OSSMAN	01-B36K-10
CK	WILLIAM JONES	01-B36K-09
CL	WILLIAM JONES	01-B36K-08
CM	NICHOLAS RYNAWEC	01-B36F-96
CN	GARY EDWARD & CONSTANCE L. COOPER	01-B36F-95
CO	UNKNOWN	01-B36F-94
CP	WILLIAM E. & DEBRA L. LEONARD	01-B36F-93
CQ	TARA D. SUTER	01-B36F-92
CR	TARA D. SUTER	01-B36F-91
CS	JOHN ESKEY	01-B36F-90
CT	AMY N. FREY	01-B36F-89
CU	BRUCE & DEBBI SELMON	01-B36F-86
CV	BRUCE & DEBBI SELMON	01-B36F-85
CW	TERRY LYNN LILLY	01-B36F-84
CX	GEORGE W. & CHARLOTTE BARNHART	01-B36F-81
CY	GEORGE W. & CHARLOTTE BARNHART	01-B36F-79
CZ	C & P TELEPHONE COMPANY OF WEST VIRGINIA	01-B36F-78
DA	MARK T. SVETIC	01-B36F-77
DB	BUSINESS DEVELOPMENT CORP OF THE NORTHERN PANHANDLE	01-B36F-25
DC	JAC FRED WY, LLC (A NORTH CAROLINA LLC)	01-B36F-26
DD	MICHAEL EDWARD & EMMA FEDCZAK	01-B36F-76
DE	MICHAEL EDWARD & EMMA FEDCZAK	01-B36F-75
DF	SHELBY L. CASTO	01-B36F-74
DG	SHELBY L. CASTO	01-B36F-73
DH	PHYLLIS MARKER	01-B36F-72
DI	GLENN T. & CAROLYN MOORE	01-B36F-71
DJ	CAROLYN K. MOORE	01-B36F-70
DK	JEFFREY & CHERYL WEEKLEY	01-B36F-69
DL	JEFFREY L. STOLLAR	01-B36F-68
DM	JUNE E. MORRELL	01-B36F-67
DN	JUNE E. MORRELL	01-B36F-66
DO	KENNETH R. ROWAN	01-B36F-65
DP	ALLEN KEITH & CAROLE YARRLING	01-B36F-64
DQ	JUNE E. MORRELL	01-B36F-63
DR	EDWARD A. POLAND	01-B36F-62
DS	LELAND J. & TRACEY A. DICKINSON	01-B36F-61
DT	THE VILLAGE OF BEECH BOTTOM	01-B36F-60
DU	JOYCE L. PAINTER	01-B36F-59
DV	JANET L. RICHARDSON	01-B36F-58
DW	JANET L. RICHARDSON	01-B36F-57
DX	JANET L. RICHARDSON	01-B36F-56
DY	JANET L. RICHARDSON	01-B36F-55
DZ	JANET L. RICHARDSON	01-B36F-54
EA	MONONGAHELA POWER COMPANY	01-B36F-53

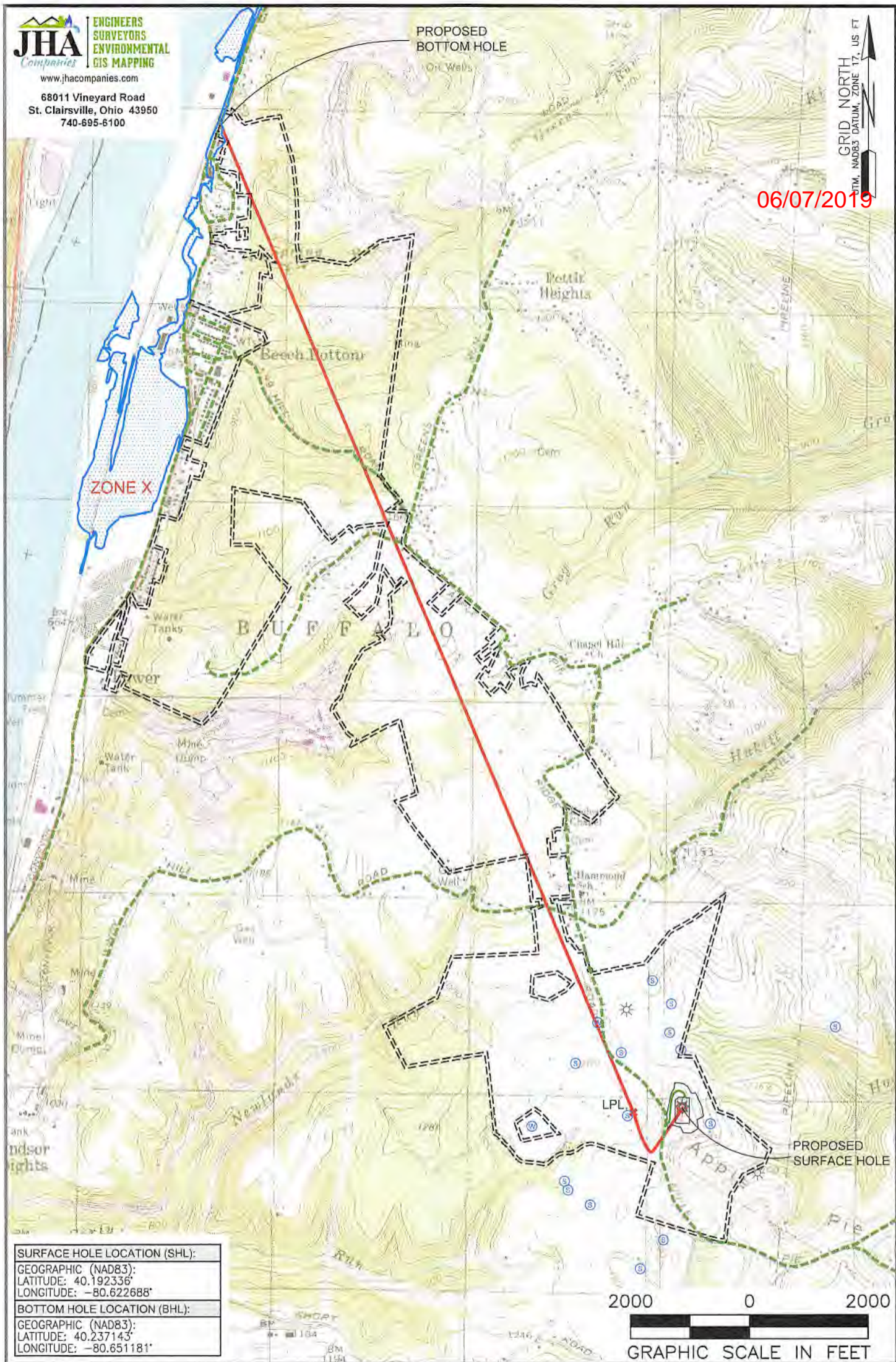
ADJOINING OWNERS TABLE		
TRACT	SURFACE OWNER	TAX PARCEL
EB	LARRY W. GRIMES	01-B36F-52
EC	LARRY W. GRIMES	01-B36F-51
ED	BOARD OF EDUCATION	01-B36B-106
EE	CLINTON W. & LORRAINE DEWITT	01-B36B-61
EF	THE VILLAGE OF BEECH BOTTOM	01-B36B-17
EG	THE VILLAGE OF BEECH BOTTOM	01-B36B-16
EH	THE VILLAGE OF BEECH BOTTOM ALLEY A	01-B36B-15
EI	JUSTIN & AMANDA SMART	01-B36B-14
EJ	JUSTIN & AMANDA SMART	01-B36B-13
EK	GEORGE M. & JUDY LEWIS	01-B36B-12
EL	GEORGE M. & JUDY LEWIS	01-B36B-11
EM	BELINDA DAUGHERTY & ET AL	01-B36B-10
EN	BARBARA MCCUTCHAN	01-B36B-09
EO	WILLIAM B., JR. & ELIZABETH N. CAIN	01-B36B-08
EP	SHEILA ANN LAZEAR, ROBERT S. LAZEAR & ET AL	01-B36B-07
EQ	SHEILA ANN LAZEAR, ROBERT S. LAZEAR & ET AL	01-B36B-06
ER	JOHN C. & KELLY A. RICHIE	01-B36B-05
ES	JOHN C. & KELLY A. RICHIE	01-B36B-04
ET	PATRICK J. DALBO	01-B36B-03
EU	THE VILLAGE OF BEECH BOTTOM	01-B36B-02
EV	BROWNLEE LAND VENTURES, LP	01-B36B-01
EW	JOYCE A. SMITH	01-B36B-115
EX	HEALTHWAYS, INC.	01-B36B-120
EY	LARRY WILLIAM COUCH (L/E: JEAN COUCH)	01-B36B-124
EZ	EDWARD A. CONERY	01-B36B-125
FA	JOYCE A. CAPELLE	01-BB31-18
FB	LOUIS J. & ARLINE F. MILLER	01-BB31-17
FC	LOUIS J. & ARLINE F. MILLER	01-BB31-16
FD	LOUIS W. MILLER	01-BB31-14
FE	EDWARD A. CONERY	01-BB31-13
FF	SYLVIA C. BENNETT	01-BB31-12
FG	GARY LEE & WENDY FAITH BENNETT	01-BB31-11
FH	WILLIAM E. & SUSAN A. MALSON	01-BB31-22
FI	KEVIN A. & PATRICIA A. SHANE	01-BB31-20
FJ	LISA LANCASTER	01-BB31-21
FK	KEVIN A. & PATRICIA A. SCHANE	01-BB31-24
FL	DONALD A. HATCH & SHAWN A. TENNANT	01-BB31-29
FM	WALTER R. & MARJORIE T. TAYLOR	01-BB31-30
FN	CARL P. & MARGARET NIELSEN	01-BB31-31
FO	GLADYS VIRGINIA CROW	01-BB31-39
FP	LOUIS W. MILLER	01-BB31-38
FQ	BERNARD J. LOMBARD, III	01-BB31-34
FR	GEORGE T. & GEARDLINE CASTO	01-BB31-35
FS	NED H., JR. & MARY FISHER	01-BB31-36
FT	NED H., JR. & MARY FISHER	01-BB31-36.1
FU	HANS FISHER	01-BB31-37
FV	PAUL T. BILLIARD	01-BB31-49
FW	PAUL T. BILLIARD	01-BB31-51
FX	WHEELING LAND DEVELOPMENT CORPORATION	01-BB31-56
FY	BERNARD J. LOMBARD, III	01-BB31-57
FZ	JAMES B. & CYNTHIA S. MCLEAN	01-BB31-59
GA	JASON JARRETT KOKOSINSKI	01-BB31-64
GB	BERNARD J. LOMBARD, III	03-B31-82
GC	BERNARD J. LOMBARD, III	03-B31-81
GD	STEPHEN A. FODOR	03-B36-176
GE	JOHN R. HOFFMAN & ALICE J. BUCHANAN	03-B36-175
GF	PAUL D. & KIMBERLY D. LEONARD	03-B36-173
GG	BRANNON P. & EMILY M. LEONARD	03-B36-172
GH	BRANNON P. & EMILY M. LEONARD	03-B36-171
GI	HARLEY J. LEMASTERS	03-B36-170
GJ	HARLEY J. LEMASTERS	03-B36-47
GK	HARLEY LEMASTERS	03-B36G-46
GL	HARLEY LEMASTERS	03-B36G-45
GM	HARLEY LEMASTERS	03-B36G-44
GN	HARLEY LEMASTERS	03-B36G-43
GO	HARLEY J. LEMASTERS	03-B36G-42
GP	HARLEY J. LEMASTERS	03-B36G-41
GQ	HARLEY LEMASTERS	03-B36G-63
GR	ALBERTA JUNE HEADEN	03-B36L-50
GS	ALBERTA JUNE HEADEN & JUNE ALBERTA (L/E)	03-B36L-49
GT	ALBERTA JUNE HEADEN	03-B36L-48
GU	ALBERTA JUNE HEADEN	03-B36L-47
GV	ALBERTA JUNE HEADEN	03-B36L-46
GW	ELEANOR CANDIDA EVANS	03-B36L-45
GX	ANTHONY ALLEN WHITEHEAD	03-B36L-44
GY	CHRISTOPHER & MAUREEN GOLLICK	03-B36L-43
GZ	THOMAS & SUSAN DONATHAN	03-B36L-42
HA	BILLIE D. KINS	03-B36L-41
HB	DANNY L. & THERESA E. STILLION	03-B36L-40
HC	BRIAN L. TESLOVICH	03-B36-145
HD	FLOYD R. & DORIS M. LOUGHRIE	03-B36L-38
HE	TAMMY S. MASSEY	03-B36L-39
HF	COLUMBIA GAS COMPANY	03-B36-144
HG	LYNN COULTER, DAVID COULTER & ET AL	03-B36-143
HH	BEECH BOTTOM VOLUNTEER FIRE DEPARTMENT	03-B36-105
HI	TREVOR SEAN RICHMAN	03-B36-106
HJ	FREDERICK B. & JULIE M. DAVIS	03-B36-108
HK	DAVID MCCLURE	03-B36-110
HL	MEMORI HOME & GARDENS, LLC	03-B36-111
HM	ROBERT & GEORGIA FATHERINGHAM	03-B36-109
HN	MARK A. & MELODY J. ADAMS	03-B36-139
HO	SCOTTY B. & AMY L. COEN	03-B36-138
HP	MARK LLOYD & JOANN VAN HORN	03-B36-114
HQ	ALFRED B., JR. & CATHY COEN	03-B36-112
HR	DONNA HARMS & CAROLYN L. BARNES	03-B36-115
HS	DONNA HARMS & CAROLYN BARNES	03-B36-116

ADJOINING OWNERS TABLE		
TRACT	SURFACE OWNER	TAX PARCEL
HT	JEFFREY ALAN FERRY & ET AL	03-B36-117
HU	MARK LLOYD & JOANN VAN HORN	03-B36-118
HV	MAXINE GEORGE & JOHN GEORGE, JR.	03-B41-100
HW	ERVAN R. COWAN, RICHARD COWAN, DIANE DIGHT & JODY TENNANT	03-B41-101
HX	WILLIAM J. & SANDRA L. COCHRAN	03-B41-102
HY	WAYNE J. & KASSI JO SMITH	03-B41-103
HZ	WAYNE J. & KASSI JO SMITH	03-B41-104
IA	ROGER L. & KAREN A. SNODERLY	03-B41-105
IB	ROGER L. & KAREN A. SNODERLY	03-B41-106
IC	KADESH CHAPEL CEMETARY	03-B41-107
ID	KADESH CHAPEL CEMETARY	03-B41-108
IE	REBECCA A. LOWMILLER	03-B41-96
IF	JEFF & REGINA M. VANCAMP	03-B41-97
IG	KADESH CHAPEL CEMETARY	03-B41-111
IH	HAROLD GRIFFIN, JR. & LINDA GRIFFIN	03-B41-112
II	HAROLD D. & EVELYN G. GRIFFIN	03-B41-113
IJ	RICHARD A. & PRISCILLA OLIVER	03-B41-115
IK	GARY A. MORRIS, SR.	03-B41-93
IL	RUTH A. HERCULES	03-B41-92
IM	DEWAYNE E. & ALBERTA J. KELLER	03-B41-87
IN	ETHEL I. SCHERICH	03-B41-73
IO	ETHEL I. SCHERICH	03-B41-75
IP	SANDRA W. BUTLER	03-B41-74
IQ	SANDRA W. BUTLER	03-B41-77
IR	JAY G. COLLINS, II	03-B41-85
IS	HENRY MIKELS & BONNIE W. BURKETT	03-B41-86-1
IT	JASON D. & MARY E. WHITE	03-B41-86
IU	ROBERT D. HILDEBRAND, II & LESLIE C. HILDEBRAND	03-B42-63
IV	FRANK G. & KELLY L. AINSOUGH	03-B42-71
IW	HENRY HEINZERTHO	03-B42-32
IX	APPALACHIA MIDSTREAM SERVICES, LLC	03-B42-30
IY	APPALACHIA MIDSTREAM SERVICES, LLC	03-B42-31
Iz	APPALACHIA MIDSTREAM SERVICES, LLC	03-B42-29
JA	ELIZABETH ELLEN FLUHARTY	03-B47-18
JB	JOSEPH P. SCRIP, SR. & ROBIN M. SCRIP	03-B41-80-2
JC	MARK & TRINA PROVENZANO	03-B41-80-1

06/07/2019

REVISIONS:

COMPANY:			 SWN Production Company, LLC		
OPERATOR'S			KATHY MAYHEW BRK		
WELL #:			1H		
DISTRICT:		COUNTY:	STATE:		DATE:
BUFFALO		BROOKE	WV		04-26-2019
					API NO: 47-009-00203
					DRAWN BY: D. REED
					SCALE: N/A
					DRAWING NO: 2018-341
WELL LOCATION PLAT					



GRID NORTH
 DATUM, NAD83 DATUM, ZONE 17, US FT

06/07/2019

SURFACE HOLE LOCATION (SHL):
GEOGRAPHIC (NAD83):
LATITUDE: 40.192336°
LONGITUDE: -80.622688°
BOTTOM HOLE LOCATION (BHL):
GEOGRAPHIC (NAD83):
LATITUDE: 40.237143°
LONGITUDE: -80.651181°

NOTES ON SURVEY

1. SURFACE AND ROYALTY OWNER INFORMATION AND THEIR BOUNDARIES SHOWN HEREON WERE PLOTTED FROM DEEDS AND/OR TAX PARCEL MAPS PROVIDED BY CLIENT AND/OR FIELD LOCATIONS.
2. THIS PLAT DOES NOT REPRESENT A BOUNDARY SURVEY OF THE PARCELS SHOWN HEREON.
3. ALL INSETS ARE GRID NORTH UNLESS OTHERWISE DEPICTED.

LEGEND:

- PROPOSED SURFACE HOLE / BOTTOM HOLE
- EXISTING / PRODUCING WELLHEAD
- LPL LANDING POINT LOCATION
- FLOOD PLAN
- ACCESS ROAD
- PUBLIC ROAD
- ACCESS ROAD TO PREV. SITE
- LEASE BOUNDARY
- PROPOSED PATH

WELL OPERATOR: SWN PRODUCTION COMPANY, LLC	WELL (FARM) NAME: KATHY MAYHEW BRK	WELL # 1H	SERIAL # XXXX
ADDRESS: 1300 FORT PIERPONT DRIVE, SUITE 201, MORGANTOWN, WV 26508	COUNTY - CODE: BROOKE - 009	DISTRICT: BUFFALO	API NO: 47-009-00203
SURFACE OWNER: KATHY LYNN & JAMES MAYHEW, ET AL	USGS 7 1/2 QUADRANGLE MAP NAME: BETHANY, WV & TILTONSVILLE, OH		