

LATITUDE: 40°15'00" BOTTOM HOLE (2000' SCALE)

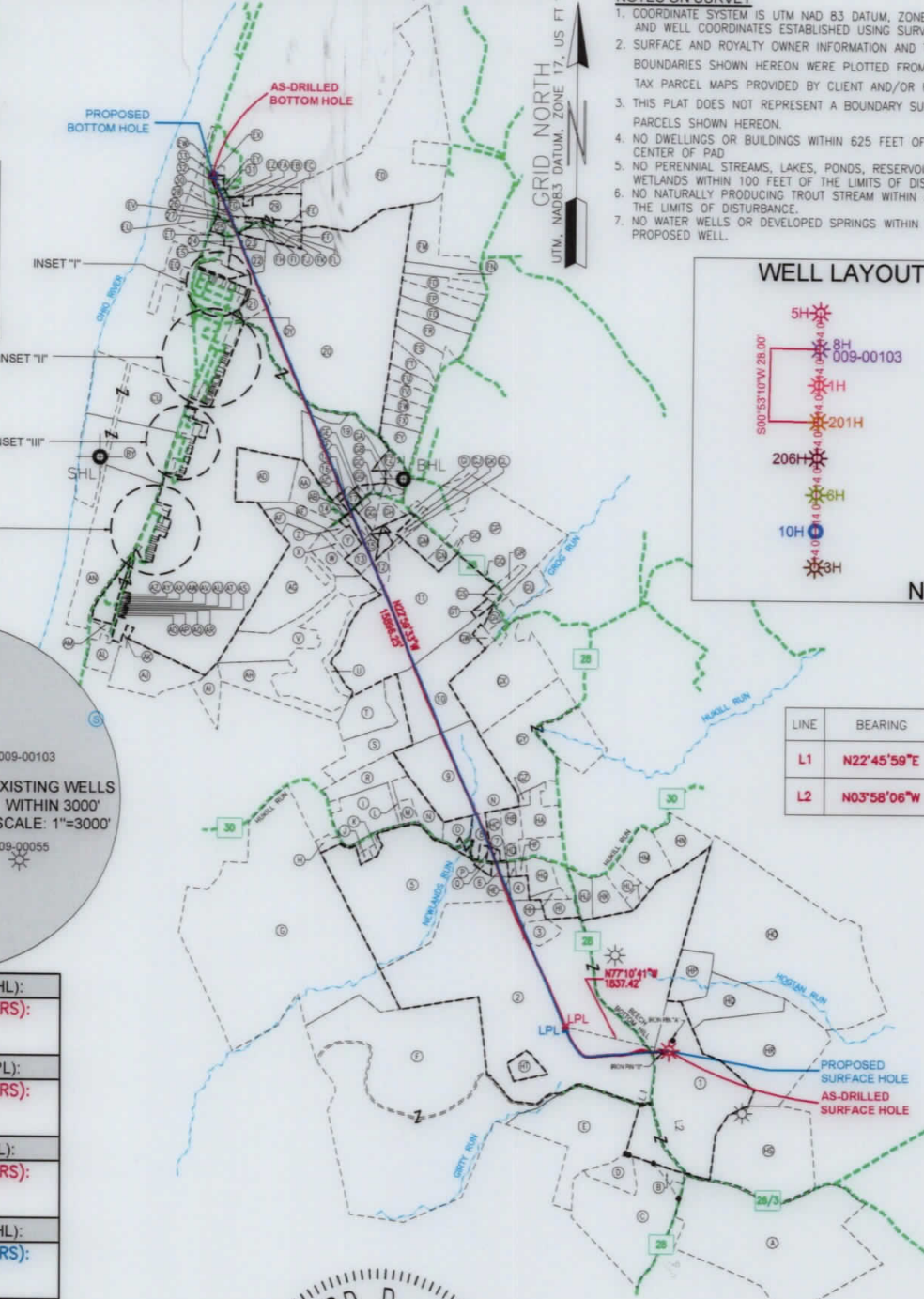
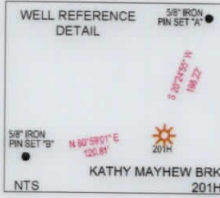
7548'

LATITUDE: 40°12'30" SURFACE HOLE (2000' SCALE)

11052'

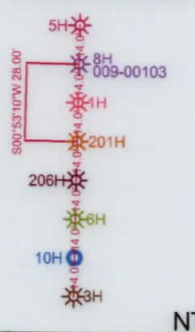


68011 Vineyard Road
St. Clairsville, Ohio 43950
740-695-6100

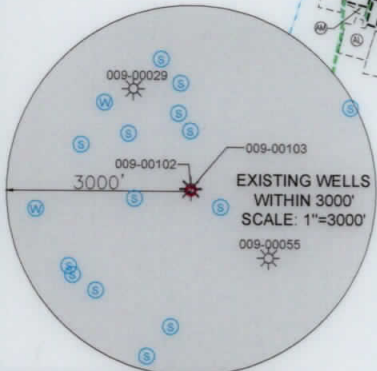


- NOTES ON SURVEY**
- COORDINATE SYSTEM IS UTM NAD 83 DATUM, ZONE 17, U.S. FOOT AND WELL COORDINATES ESTABLISHED USING SURVEY GRADE GPS.
 - SURFACE AND ROYALTY OWNER INFORMATION AND THEIR BOUNDARIES SHOWN HEREON WERE PLOTTED FROM DEEDS AND/OR TAX PARCEL MAPS PROVIDED BY CLIENT AND/OR FIELD LOCATIONS.
 - THIS PLAT DOES NOT REPRESENT A BOUNDARY SURVEY OF THE PARCELS SHOWN HEREON.
 - NO DWELLINGS OR BUILDINGS WITHIN 625 FEET OF PROPOSED CENTER OF PAD
 - NO PERENNIAL STREAMS, LAKES, PONDS, RESERVOIRS OR WETLANDS WITHIN 100 FEET OF THE LIMITS OF DISTURBANCE.
 - NO NATURALLY PRODUCING TROUT STREAM WITHIN 300 FEET OF THE LIMITS OF DISTURBANCE.
 - NO WATER WELLS OR DEVELOPED SPRINGS WITHIN 250 FEET OF PROPOSED WELL.

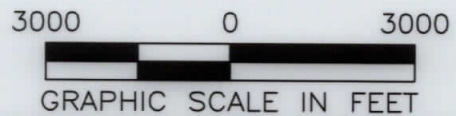
WELL LAYOUT



LINE	BEARING	DISTANCE
L1	N22°45'59"E	1932.50'
L2	N03°58'06"W	2551.48'



SURFACE HOLE LOCATION (SHL): UTM (NAD83, ZONE 17, METERS): NORTHING: 4449168.94 EASTING: 532116.75
LANDING POINT LOCATION (LPL): UTM (NAD83, ZONE 17, METERS): NORTHING: 4449283.59 EASTING: 531568.45
BOTTOM HOLE LOCATION (BHL): UTM (NAD83, ZONE 17, METERS): NORTHING: 4453710.29 EASTING: 529602.63
SURFACE HOLE LOCATION (SHL): UTM (NAD83, ZONE 17, METERS): NORTHING: 4449168.94 EASTING: 532116.75
LANDING POINT LOCATION (LPL): UTM (NAD83, ZONE 17, METERS): NORTHING: 4449267.71 EASTING: 531567.65
BOTTOM HOLE LOCATION (BHL): UTM (NAD83, ZONE 17, METERS): NORTHING: 4453711.46 EASTING: 529604.77



I, THE UNDERSIGNED, HEREBY CERTIFY THAT THIS PLAT IS CORRECT TO THE BEST OF MY KNOWLEDGE AND BELIEF AND SHOWS ALL THE INFORMATION REQUIRED BY LAW AND REGULATIONS ISSUED AND PRESCRIBED BY THE DEPARTMENT OF ENVIRONMENTAL PROTECTION.

P.S. 2275



(+) DENOTES LOCATION OF WELL ON UNITED STATES TOPOGRAPHIC MAPS	MINIMUM DEGREE OF ACCURACY: 1/200	OPERATOR'S WELL #: KATHY MAYHEW BRK 201H
WVDEP OFFICE OF OIL & GAS 601 57TH STREET CHARLESTON, WV 25034	PROVEN SURVEY SOURCE OF GRADE GPS ELEVATION: (NAVD 88, US FT)	API WELL #: 47 009 00208 STATE COUNTY PERMIT
WELL TYPE: OIL <input type="checkbox"/> WASTE DISPOSAL <input type="checkbox"/> PRODUCTION <input checked="" type="checkbox"/> DEEP <input type="checkbox"/> GAS <input checked="" type="checkbox"/> LIQUID INJECTION <input type="checkbox"/> STORAGE <input type="checkbox"/> SHALLOW <input checked="" type="checkbox"/>	WATERSHED: UPPER OHIO SOUTH	ELEVATION: 1,281.2'
DISTRICT: BUFFALO COUNTY: BROOKE	SURFACE OWNER: KATHY LYNN & JAMES MAYHEW, ET AL	QUADRANGLE: BETHANY, WV & TILTONSVILLE, OH
OIL & GAS ROYALTY OWNER: KATHY LYNN & JAMES MAYHEW, ET AL	ACREAGE: ±84.74	ACREAGE: ±84.74
DRILL <input checked="" type="checkbox"/> DRILL DEEPER <input type="checkbox"/> REDRILL <input type="checkbox"/> FRACTURE OR STIMULATE <input type="checkbox"/> PLUG OFF OLD FORMATION <input type="checkbox"/> PERFORATE NEW FORMATION <input type="checkbox"/>	CONVERT <input type="checkbox"/> PLUG & ABANDON <input type="checkbox"/> CLEAN OUT & REPLUG <input type="checkbox"/> OTHER CHANGE <input checked="" type="checkbox"/> (SPECIFY) AS-DRILLED	ESTIMATED DEPTH: 5,990' TVD 22,518' TMD
TARGET FORMATION: MARCELLUS	WELL OPERATOR: SWN PRODUCTION COMPANY, LLC	DESIGNATED AGENT: BRITTANY WOODY
ADDRESS: 1300 FORT PIERPONT DRIVE, SUITE 201	CITY: MORGANTOWN STATE: WV ZIP CODE: 26508	ADDRESS: 1300 FORT PIERPONT DRIVE, SUITE 201
CITY: MORGANTOWN STATE: WV ZIP CODE: 26508	CITY: MORGANTOWN STATE: WV ZIP CODE: 26508	

LEGEND:

EXISTING BOTTOM HOLE	ACCESS ROAD
EXISTING / PRODUCING WELLHEAD	PUBLIC ROAD
EXISTING LANDING POINT LOCATION	FLOOD PLAIN
PROPOSED SURFACE HOLE / BOTTOM HOLE	LEASE BOUNDARY
PROPOSED LANDING POINT LOCATION	AS-DRILLED PATH
	PROPOSED PATH

REVISIONS:

DATE: 01-15-2020
API NO: 47-009-00208
DRAWN BY: R. GRIMES
SCALE: 1" = 3000'
DRAWING NO: 2018-341
WELL LOCATION PLAT

WELL LOCATION PLAN	REVISIONS:
DRAWING NO: 2018-241	DATE: 01-12-2020
SCALE: 1" = 300'	API NO: 47-00-00208
DRAWN BY: R. GRIMES	

WELL OPERATOR: SWN PRODUCTION COMPANY, LLC
 ADDRESS: 1300 FORT PIERPONT DRIVE, SUITE 201
 CITY: MORGANTOWN STATE: WV ZIP CODE: 26508
 DESIGNATED AGENT: BRITNAY WOODY

TARGET FORMATION: MARCELLUS
 ESTIMATED DEPTH: 2,900' TVD 25,218' TMD
 CONVERT PLUG & ABANDON CLEAN OUT & REPLUG OTHER CHANGE (SPECIFY) AS-DRILLED
 DRILL DEEPER REDRILL FRACTURE OR STIMULATE PLUG OFF OLD FORMATION PERFORATE NEW FORMATION

OIL & GAS ROYALTY OWNER: KATHY LYNN & JAMES MAYHEW, ET AL
 SURFACE OWNER: KATHY LYNN & JAMES MAYHEW, ET AL
 DISTRICT: BUFFALO COUNTY: BROOKE
 WATERSHED: UPPER OHIO SOUTH
 WELL TYPE: OIL WASTE DISPOSAL PRODUCTION DEEP GAS LIQUID INJECTION STORAGE SHALLOW

CHARLESTON, WV 25034
 OFFICE OF OIL & GAS
 801 57TH STREET
 WDEP

UNITED STATES TOPOGRAPHIC MAPS
 ACCURACY: 1/500
 ELEVATION: (NAD 88, US FT)
 PROVEN SURVEY
 SOURCE OF GRADE GPS
 OPERATOR'S WELL #: 47
 STATE COUNTY PERMIT 009 00208
 KATHY MAYHEW BRK 201H

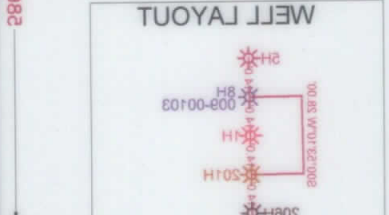
Production Company, LLC
 SWN
 Production Company, LLC
 SWN

LEGEND:
 PROPOSED LANDING POINT LOCATION
 PROPOSED SURFACE HOLE / BOTTOM HOLE
 EXISTING LANDING POINT LOCATION
 EXISTING PRODUCING WELLHEAD
 EXISTING BOTTOM HOLE
 ACCESS ROAD
 PUBLIC ROAD
 FLOOD PLAIN
 LEASE BOUNDARY
 AS-DRIILLED PATH
 PROPOSED PATH

UTM (NAD83, ZONE 17, METERS): EASTING: 529604.77 NORTHING: 4423711.46	BOTTOM HOLE LOCATION (BHL):
UTM (NAD83, ZONE 17, METERS): EASTING: 529605.83 NORTHING: 4423710.29	SURFACE HOLE LOCATION (SHL):
UTM (NAD83, ZONE 17, METERS): EASTING: 521587.82 NORTHING: 4442587.71	LANDING POINT LOCATION (LPL):
UTM (NAD83, ZONE 17, METERS): EASTING: 52118.75 NORTHING: 444188.94	SURFACE HOLE LOCATION (SHL):
UTM (NAD83, ZONE 17, METERS): EASTING: 529605.83 NORTHING: 4423710.29	BOTTOM HOLE LOCATION (BHL):
UTM (NAD83, ZONE 17, METERS): EASTING: 521588.42 NORTHING: 4442587.59	LANDING POINT LOCATION (LPL):
UTM (NAD83, ZONE 17, METERS): EASTING: 52118.75 NORTHING: 444188.94	SURFACE HOLE LOCATION (SHL):

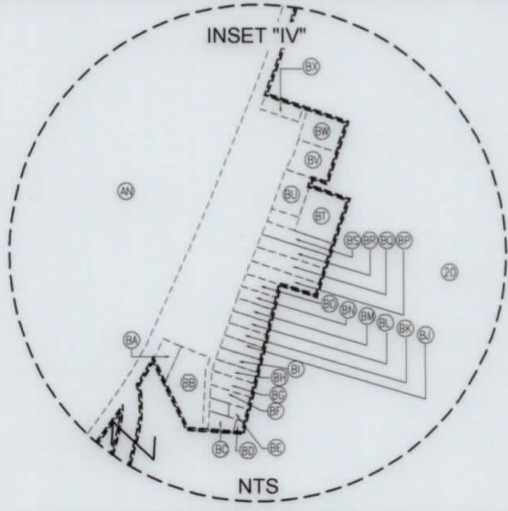
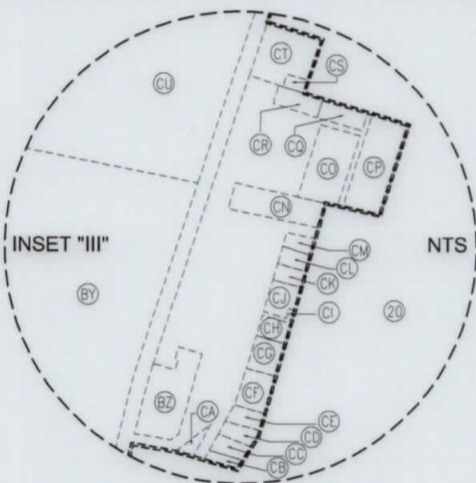
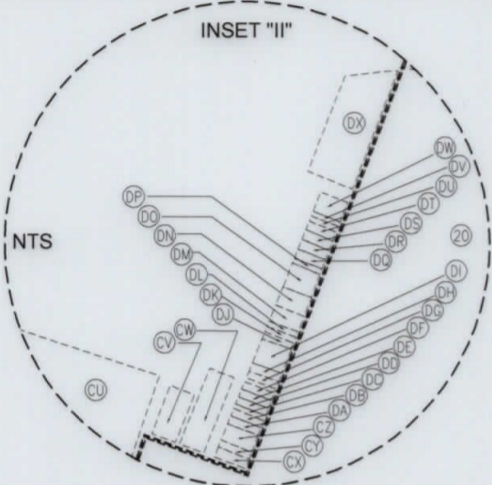
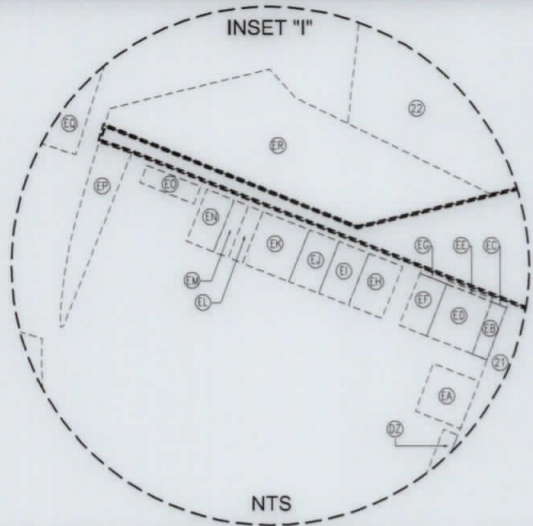


LINE	BEARING	DISTANCE
L1	N23°45'58"E	1825.90'
L2	N02°28'08"W	2551.48'



NOTES ON SURVEY:
 1. COORDINATE SYSTEM IS UTM AND 83 DATUM, ZONE 17, U.S. FOOT AND WELL COORDINATES ESTABLISHED USING SURVEY GRADE GPS.
 2. SURFACE AND ROYALTY OWNER INFORMATION AND THEIR BOUNDARIES SHOWN HEREON WERE PLOTTED FROM DEEDS AND/OR TAX PARCEL MAPS PROVIDED BY CLIENT AND/OR FIELD LOCATIONS.
 3. THIS PLAN DOES NOT REPRESENT A BOUNDARY SURVEY OF THE PARCELS SHOWN HEREON.
 4. NO DWELLINGS OR BUILDINGS WITHIN 825 FEET OF PROPOSED CENTER OF PAD.
 5. NO PERENNIAL STREAMS, LAKES, PONDS, RESERVOIRS OR WETLANDS WITHIN 100 FEET OF THE LIMITS OF DISTURBANCE.
 6. NO NATURAL PRODUCING THROUGH STREAM WITHIN 200 FEET OF THE LIMITS OF DISTURBANCE.
 7. NO WATER WELLS OR DEVELOPED SPRINGS WITHIN 250 FEET OF PROPOSED WELL.

WELL REFERENCE DETAIL
 KATHY MAYHEW BRK 201H
 8801 Vineyard Road
 St Clairsville, Ohio 43980
 740-892-6100
 www.jhaengineers.com
JHA ENGINEERS
ENVIRONMENTAL
ENGINEERS
AND
MAPPING



WELL BORE TABLE FOR SURFACE / ROYALTY OWNERS		
TRACT	SURFACE OWNER (S) / ROYALTY OWNER (R)	TAX PARCEL
1	KATHY LYNN & JAMES MAYHEW, ET AL (S/R)	03-B42-0027.0000
TRACT	SURFACE OWNER	TAX PARCEL
2	JAY GLEN COLLINS	03-B41-0080.0000
3	JOSEPH P., SR. & ROBIN M. SCRIP	03-B41-0080.0002
4	SANDRA W. BUTLER	03-B41-0071.0000
5	WILLIAM & DAWNA MILLER	03-B41-0061.0000
6	SANDRA BUTLER	03-B41-0068.0000
7	ROBERT LEE & DELMA LOU HUFFMAN	03-B41-0067.0000
8	CARL & JUDITH SPENCER	03-B41-0065.0000
9	ERNEST F. & JOANNE CAPP	03-B41-0064.0000
10	MARK PHILLIPS, GAIL ATKINSON & ET AL	03-B36.0107.0000
11	WINDSOR POWER HOUSE COAL COMPANY	03-B36-0104.0000
12	WINDSOR POWER HOUSE COAL COMPANY	03-B36L-0036.0000
13	FLOYD R. & DORIS M. LOUGHRIE	03-B36L-0032.0000
14	WINDSOR POWER HOUSE COAL COMPANY	03-B36L-0025.0000
15	WINDSOR POWER HOUSE COAL COMPANY	03-B36L-0026.0000
16	LESTER & KATHERINE WALLACE	03-B36L-0009.0000
17	NICHOLAS S. MINDA (L/E: NORA J. MINDA)	03-B36L-0006.0000
18	NICHOLAS S. MINDA (L/E: NORA J. MINDA)	03-B36L-0007.0000
19	LESTER & KATHERINE WALLACE	03-B36G-0001.0000
20	BUSINESS DEVELOPMENT CORP OF THE NORTHERN PANHANDLE	01-BB36-0023.0001
21	THE VILLAGE OF BEECH BOTTOM	01-B36B-0017.0000
22	HEALTHWAYS, INC.	01-B36B-0121.0000
23	LARRY WILLIAM COUCH (L/E: JEAN COUCH)	01-B36B-0124.0000
24	EMASES PROPERTIES, LLC	01-B36B-0123.0000
25	EMASES PROPERTIES, LLC	01-BB31-0009.0000
26	EDWARD A. CONERY	01-BB31-0013.0000
27	SYLVIA C. BENNETT	01-BB31-0012.0000
28	GARY LEE & WENDY FAITH BENNETT	01-BB31-0011.0000
29	OTIS M., JR. & EDNA JO BAKER	01-BB31-0019.0000
30	WILLIAM E. & SUSAN A. MALSON	01-BB31-0022.0000
31	WILLIAM E. & SUSAN A. MALSON	01-BB31-0023.0000
32	DONALD E. COREY, II	01-BB31-0026.0000
33	LEON W. FALCON, CRAIG A. FALCON & CARL J. FALCON	01-BB31-0043.0000

ADJOINING OWNERS TABLE		
TRACT	SURFACE OWNER	TAX PARCEL
A	JOSEPH S. & JANE M. BUREK	03-B47-0019.0000
B	JAMES LAMONT	03-B47-0001.0000
C	BETSY D. TUSTIN	03-B47-0002.0001
D	DALE T. & MARY R. WOOD	03-B46-0046.0000
E	MARY WOOD	03-B41-0084.0000
F	BARRY L. & PATRICIA A. GREATHOUSE	03-B41-0082.0000
G	ROBERT J. MILLER, JR. & ET AL	03-B41-0047.0000
H	KARL DOUGLAS STEPHENS	03-B41-0054.0002
I	WILLIAM & DAWNA MILLER	03-B41-0061.0002
J	KEVIN S. WEEKLEY	03-B41-0056.0000
K	MICHAEL PAUL ALLEN	03-B41-0061.0003
L	ERNEST & JOANN PAULINE CAPP	03-B41-0061.0001
M	ERNEST W. & MARIANNE CAPP	03-B41-0062.0000
N	ERNEST & JOANN P. CAPP	03-B41-0063.0000
O	EMILY J. HUFFNER	03-B41-0065.0001
P	CARL E. & JUDITH SPENCER	03-B41-0066.0000
Q	SANDRA BUTLER	03-B41-0061.0004
R	ERNEST & JOANN PAULINE CAPP	03-B41-0053.0000
S	ERNEST F. & JOANNE CAPP	03-B41-0052.0000
T	WINDSOR POWER HOUSE COAL COMPANY	03-B41-0049.0000
U	WINDSOR POWER HOUSE COAL COMPANY	03-B36-0103.0000
V	WINDSOR POWER HOUSE COAL COMPANY	03-B36-0101.0000
W	WINDSOR POWER HOUSE COAL COMPANY	03-B36L-0021.0000
X	WINDSOR POWER HOUSE COAL COMPANY	03-B36L-0022.0000
Y	WINDSOR POWER HOUSE COAL COMPANY	03-B36L-0023.0000
Z	WINDSOR POWER HOUSE COAL COMPANY	03-B36L-0024.0000
AA	TAMMY R. & RANDOLPH L. CLARK	03-B36L-0011.0000
AB	BARBARA J. SWIGER	03-B36L-0010.0000
AC	LESTER & KATHERINE WALLACE	03-B36L-0008.0000
AD	JEFFREY M. & KRISTINA L. BARR	03-B36L-0011.0001
AE	AMANDA HUFF	03-B36L-0017.0000
AF	CONNIE WAGNER	03-B36L-0015.0000
AG	BRIAN D. & CASEY K. RICHARDSON	03-B36L-0021.0001
AH	WINDSOR POWER HOUSE COAL COMPANY	03-B36-0102.0000
AI	WINDSOR POWER HOUSE COAL COMPANY	03-B36-0100.0000
AJ	WINDSOR POWER HOUSE COAL COMPANY	03-B36-0091.0000
AK	WINDSOR POWER HOUSE COAL COMPANY	01-BB36-0022.0000
AL	WINDSOR POWER HOUSE COAL COMPANY	01-BB36-0025.0000
AM	RALPH & MARY ANN PLANTS	01-BB36-0004.0000
AN	BUSINESS DEVELOPMENT CORP OF THE NORTHERN PANHANDLE	01-BB36-0001.0000
AO	PAUL & GENEVIEVE CUNNINGHAM	01-BB36-0017.0000
AP	PAUL & MARY G. CUNNINGHAM	01-BB36-0016.0000
AQ	FRANKLIN MILLER	01-BB36-0015.0000
AR	FRANKLIN MILLER	01-BB36-0014.0000
AS	FRANKLIN MILLER	01-BB36-0013.0000
AT	FRANKLIN MILLER	01-BB36-0012.0000
AU	FRANKLIN & CONNIE J. MILLER	01-BB36-0011.0000
AV	FRANKLIN & CONNIE J. MILLER	01-BB36-0010.0000
AW	CHERYL E. SMITH & LINDA CURIA (L/E: ROBERT & JOANN SMITH)	01-BB36-0009.0000
AX	STEVEN ANDREW & DEBBIE LYNN MURDOCK	01-BB36-0008.0000
AY	DANIEL L. & CATHY J. JOHNSTON	01-BB36-0007.0000
AZ	LELAND J. & TRACY A. DICKINSON	01-BB36-0006.0000
BA	CHRISTOPHER DEAN	01-B36K-0030.0000
BB	CHARLES G. & CHRISTINE L. HOOD	01-B36K-0031.0000

REVISIONS:

COMPANY:

SWN
Production Company, LLC

SWN ^{R-V+}
Production Company™

OPERATOR'S: KATHY MAYHEW BRK
WELL #: 201H

DATE: 01-15-2020
API NO: 47-009-00208
DRAWN BY: R. GRIMES



DISTRICT: BUFFALO

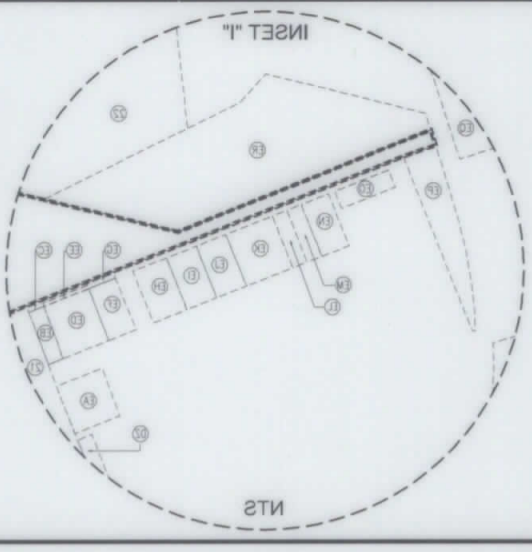
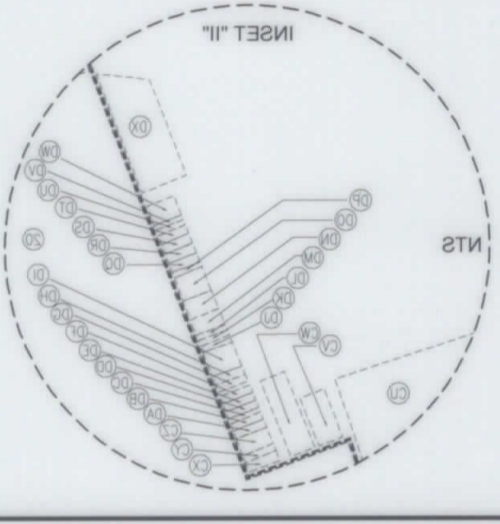
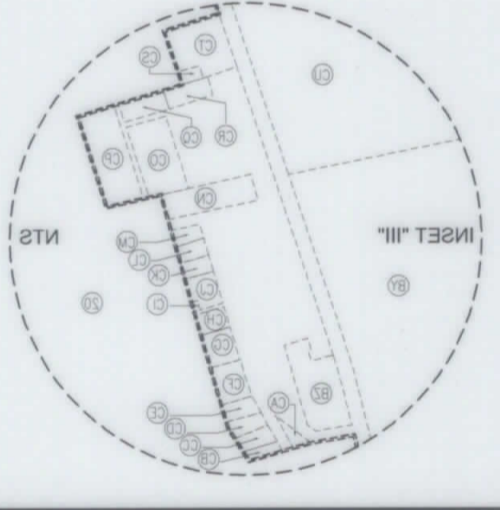
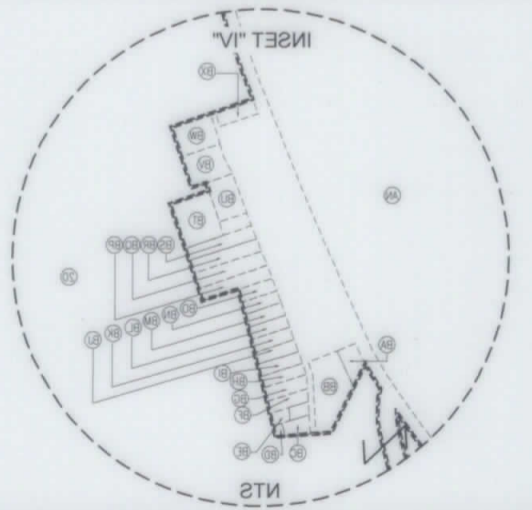
COUNTY: BROOKE

STATE: WV

SCALE: N/A
DRAWING NO: 2018-341
WELL LOCATION PLAT

PROPERTY NUMBER 2501166090
PAD ID 3001156092

WELL LOCATION PLAN	DRAWING NO: 2018-341	SCALE: N/A	DATE: 01-15-2020
DISTRICT: BUFFALO	COUNTY: BROOKE	STATE: WV	OPERATOR'S: KATHY MAYHEW BRK
WELL #: 201H	KATHY MAYHEW BRK		
COMPANY:	Production Company, LLC		
REVISIONS:	 		



TRACT	SURFACE OWNER	TAX PARCEL
BB	CHARLES C & CHRISTINE L HOOD	01-883K-0031.0000
BA	CHRISTOPHER DEAN	01-883K-0020.0000
AZ	LELAND J & TRACY A DICKINSON	01-883E-0006.0000
AY	DANIEL J & CATHY J JOHNSTON	01-883E-0007.0000
AX	STEVEN ANDREW & DEBBIE LYNN MURDOCK	01-883E-0008.0000
AW	CHERYL E SMITH & LINDA CURIA (J/E: ROBERT & JOANN SMITH)	01-883E-0009.0000
AV	FRANKLIN & CONNIE J MILLER	01-883E-0010.0000
AU	FRANKLIN & CONNIE J MILLER	01-883E-0011.0000
AT	FRANKLIN MILLER	01-883E-0012.0000
AS	FRANKLIN MILLER	01-883E-0013.0000
AR	FRANKLIN MILLER	01-883E-0014.0000
AD	FRANKLIN MILLER	01-883E-0015.0000
AP	PAUL & MARY G CUNNINGHAM	01-883E-0016.0000
AO	PAUL & DENNEVE CUNNINGHAM	01-883E-0017.0000
AN	BUSINESS DEVELOPMENT CORP OF THE NORTHERN PANHANDLE	01-883E-0001.0000
AM	RALPH & MARY ANN PLANTS	01-883E-0004.0000
AL	WINDSOR POWER HOUSE COAL COMPANY	01-883E-0025.0000
AK	WINDSOR POWER HOUSE COAL COMPANY	01-883E-0023.0000
AJ	WINDSOR POWER HOUSE COAL COMPANY	01-883E-0021.0000
AI	WINDSOR POWER HOUSE COAL COMPANY	01-883E-0100.0000
AH	WINDSOR POWER HOUSE COAL COMPANY	01-883E-0103.0000
AG	BRIAN D & CASEY K RICHARDSON	01-883E-0021.0001
AF	CONNIE WAGNER	01-883E-0012.0000
AE	AMANDA HURT	01-883E-0017.0000
AD	JEFFREY M & KRISTINA L BARR	01-883E-0011.0001
AC	LESTER & KATHERINE WALLACE	01-883E-0008.0000
AB	BARBARA J SWICER	01-883E-0010.0000
AA	TAMMY R & RANDOLPH L CLARK	01-883E-0011.0000
AZ	WINDSOR POWER HOUSE COAL COMPANY	01-883E-0024.0000
Y	WINDSOR POWER HOUSE COAL COMPANY	01-883E-0023.0000
X	WINDSOR POWER HOUSE COAL COMPANY	01-883E-0022.0000
W	WINDSOR POWER HOUSE COAL COMPANY	01-883E-0021.0000
V	WINDSOR POWER HOUSE COAL COMPANY	01-883E-0101.0000
U	WINDSOR POWER HOUSE COAL COMPANY	01-883E-0103.0000
T	WINDSOR POWER HOUSE COAL COMPANY	01-883E-0049.0000
S	ERNEST F & JOANNE CARP	01-8841-0025.0000
R	ERNEST & JOANN PAULINE CARP	01-8841-0023.0000
Q	SANDRA BUTLER	01-8841-0061.0004
P	CARL E & JUDITH SPENCER	01-8841-0066.0000
O	EMILY J HUFFNER	01-8841-0065.0001
N	ERNEST & JOANN P CARP	01-8841-0063.0000
M	ERNEST W & MARVAINE CARP	01-8841-0062.0000
L	ERNEST & JOANN PAULINE CARP	01-8841-0061.0001
K	MICHAEL PAUL ALLEN	01-8841-0061.0003
J	KEVIN E WENZLEY	01-8841-0058.0000
I	WILLIAM & DAWNA MILLER	01-8841-0061.0003
H	KARL DOUGLAS STEPHENS	01-8841-0024.0003
G	ROBERT J MILLER, JR & ET AL	01-8841-0047.0000
F	BARRY L & PATRICIA A GREATHOUSE	01-8841-0083.0000
E	MARY WOOD	01-8841-0084.0000
D	DALE T & MARY R WOOD	01-884E-0048.0000
C	BETSY D TUTTIN	01-8847-0003.0001
B	JAMES LAMONT	01-8847-0001.0000
A	JOSEPH S & JANE M BURK	01-8847-0019.0000

ADJOINING OWNERS TABLE

TRACT	SURFACE OWNER	TAX PARCEL
33	LEON W FALCON, CRAIG A FALCON & CARL J FALCON	01-8831-0043.0000
32	DONALD E COREY, II	01-8831-0026.0000
31	WILLIAM E & SUSAN A MALSON	01-8831-0023.0000
30	WILLIAM E & SUSAN A MALSON	01-8831-0023.0000
29	OTIS M, JR & EDNA JO BAKER	01-8831-0019.0000
28	GARY LEE & WENDY FAITH BENNETT	01-8831-0011.0000
27	SYLVIA C BENNETT	01-8831-0015.0000
26	EDWARD A CONERY	01-8831-0013.0000
25	EMAGES PROPERTIES, LLC	01-8831-0009.0000
24	EMAGES PROPERTIES, LLC	01-8831-0013.0000
23	LARRY WILLIAM COUCH (J/E: JEAN COUCH)	01-883E-0124.0000
22	HEALTHWAYS, INC	01-883E-0121.0000
21	THE VILLAGE OF BECH BOTTOM	01-883E-0017.0000
20	BUSINESS DEVELOPMENT CORP OF THE NORTHERN PANHANDLE	01-883E-0023.0001
19	LESTER & KATHERINE WALLACE	01-883E-0001.0000
18	NICHOLAS S MINDA (J/E: NORA J MINDA)	01-883E-0007.0000
17	NICHOLAS S MINDA (J/E: NORA J MINDA)	01-883E-0008.0000
16	LESTER & KATHERINE WALLACE	01-883E-0009.0000
15	WINDSOR POWER HOUSE COAL COMPANY	01-883E-0028.0000
14	WINDSOR POWER HOUSE COAL COMPANY	01-883E-0025.0000
13	FLOYD R & DORIS M DOUGHERT	01-883E-0023.0000
12	WINDSOR POWER HOUSE COAL COMPANY	01-883E-0026.0000
11	WINDSOR POWER HOUSE COAL COMPANY	01-883E-0104.0000
10	MARK PHILLIPS, GAIL ATKINSON & ET AL	01-883E-0107.0000
9	ERNEST F & JOANNE CARP	01-8841-0064.0000
8	CARL & JUDITH SPENCER	01-8841-0062.0000
7	ROBERT LEE & DELMAM LOU HUFFMAN	01-8841-0067.0000
6	SANDRA BUTLER	01-8841-0068.0000
5	WILLIAM & DAWNA MILLER	01-8841-0081.0000
4	SANDRA W BUTLER	01-8841-0071.0000
3	JOSEPH P, SR & ROBIN M SCRIP	01-8841-0080.0003
2	JAY GLEN COLLINS	01-8841-0080.0000
1	KATHY LYNN & JAMES MAYHEW, ET AL (S/R)	01-884E-0027.0000

WELL BORE TABLE FOR SURFACE / ROYALTY OWNERS

ADJOINING OWNERS TABLE		
TRACT	SURFACE OWNER	TAX PARCEL
BC	CHARLES G. & CHRISTINE L. HOOD	01-B36K-0050.0003
BD	JAMES D. MEADOWS	01-B36K-0050.0001
BE	JAMES D. MEADOWS	01-B36K-0050.0002
BF	MARK L. & SHARON KAY JORDAN	01-B36K-0050.0000
BG	MARK & SHARON KAY JORDAN	01-B36K-0049.0000
BH	JOHN & VIOLET E. CORSO	01-B36K-0048.0000
BI	JOHN & VIOLET E. CORSO	01-B36K-0047.0000
BJ	JOHN & VIOLET E. CORSO	01-B36K-0046.0000
BK	AYLSSA R. NEGRI	01-B36K-0045.0000
BL	AYLSSA NEGRI	01-B36K-0044.0000
BM	JOHN MILLER	01-B36K-0043.0000
BN	DONALD & ROSEMARIE MEADOWS	01-B36K-0042.0000
BO	MORRIS BLEAU	01-B36K-0041.0000
BP	MORRIS W. BLEAU	01-B36K-0040.0000
BQ	MORRIS BLEAU	01-B36K-0039.0000
BR	CARL B. LINDSEY	01-B36K-0038.0000
BS	LINDA DARLIN SPENCER	01-B36K-0037.0000
BT	MARISSA J. & ROBERT B. FORSHEY	01-B36K-0036.0000
BU	DONALD E. & PATRICIA A. GILBERT	01-B36K-0034.0000
BV	MARISSA J. FORSHEY	01-B36K-0033.0000
BW	MARISSA J. FORSHEY	01-B36K-0032.0000
BX	WANDA S. JONES	01-B36K-0014.0000
BY	BUSINESS DEVELOPMENT CORP OF THE NORTHERN PANHANDLE	01-B36K-0013.0000
BZ	DENNIS RUSCHEL	01-B36K-0002.0000
CA	THE VILLAGE OF BEECH BOTTOM	01-B36K-0003.0000
CB	DOLORES VIRGINIA COEN	01-B36K-0012.0000
CC	THE VILLAGE OF BEECH BOTTOM	01-B36K-0011.0000
CD	CURTIS D. & TINA L. OSSMAN	01-B36K-0010.0000
CE	WILLIAM JONES	01-B36K-0009.0000
CF	WILLIAM JONES	01-B36K-0008.0000
CG	NICHOLAS RYNIANEWEC	01-B36F-0096.0000
CH	GARY EDWARD & CONSTANCE L. COOPER	01-B36F-0095.0000
CI	UNKNOWN OWNER	01-B36F-0094.0000
CJ	WILLIAM E. & DEBRA L. LEONARD	01-B36F-0093.0000
CK	TARA A. SUTER	01-B36F-0092.0000
CL	TARA D. SUTER	01-B36F-0091.0000
CM	JOHN ESKEY	01-B36F-0090.0000
CN	AMY N. FREY	01-B36F-0089.0000
CO	BRUCE & DEBBI SELMON	01-B36F-0088.0000
CP	BRUCE & DEBBI SELMON	01-B36F-0085.0000
CQ	TERRY LYNN LILLY	01-B36F-0084.0000
CR	GEORGE W. & CHARLOTTE BARNHART	01-B36F-0081.0000
CS	GEORGE W. & CHARLOTTE BARNHART	01-B36F-0079.0000
CT	C & P TELEPHONE COMPANY OF WEST VIRGINIA	01-B36F-0078.0000
CU	BUSINESS DEVELOPMENT CORP OF THE NORTHERN PANHANDLE	01-B36F-0077.0000
CV	MARK T. SVETIC	01-B36F-0025.0000
CW	JAC FRED WV, LLC (A NORTH CAROLINA LLC)	03-B36F-0026.0000
CX	MICHAEL EDWARD & EMMA FEDCZAK	01-B36F-0076.0000
CY	MICHAEL EDWARD & EMMA FEDCZAK	01-B36F-0075.0000
CZ	SHELBY L. CASTO	01-B36F-0074.0000
DA	SHELBY L. CASTO	01-B36F-0073.0000
DB	PHYLLIS MARKER	01-B36F-0072.0000
DC	GLENN T. & CAROLYN MOORE	01-B36F-0071.0000
DD	CAROLYN K. MOORE	01-B36F-0070.0000
DE	JEFFREY & CHERYL WEEKLEY	01-B36F-0069.0000
DF	JEFFREY L. STOLLAR	01-B36F-0068.0000
DG	JUNE E. MORRELL	01-B36F-0067.0000
DH	JUNE E. MORRELL	01-B36F-0066.0000
DI	KENNETH R. ROWAN	01-B36F-0065.0000
DJ	ALLEN KEITH & CAROL YAHRLING	01-B36F-0064.0000
DK	JUNE E. MORRELL	01-B36F-0063.0000
DL	EDWARD A. POLAND	01-B36F-0062.0000
DM	LELAND J. & TRACEY A. DICKINSON	01-B36F-0061.0000
DN	THE VILLAGE OF BEECH BOTTOM	01-B36F-0060.0000
DO	JOYCE L. PAINTER	01-B36F-0059.0000
DP	JANET L. RICHARDSON	01-B36F-0058.0000
DD	JANET L. RICHARDSON	01-B36F-0057.0000
DR	JANET L. RICHARDSON	01-B36F-0056.0000
DS	JANET L. RICHARDSON	01-B36F-0055.0000
DT	JANET L. RICHARDSON	01-B36F-0054.0000
DJ	MONONGAHELA POWER COMPANY	01-B36F-0053.0000
DV	LARRY W. GRIMES	01-B36F-0052.0000
DW	LARRY W. GRIMES	01-B36F-0051.0000
DX	BOARD OF EDUCATION	01-B36B-0106.0000
DY	CLINTON W. & LORRAINE DEWITT	01-B36B-0061.0000
DZ	RONNIE L. OTTO	01-B36B-0060.0000
EA	DONALD L. LYNCH	01-B36B-0018.0000
EB	THE VILLAGE OF BEECH BOTTOM	01-B36B-0016.0000
EC	THE VILLAGE OF BEECH BOTTOM	ALLEY A
ED	JUSTIN & AMANDA SMART	01-B36B-0015.0000
EE	JUSTIN & AMANDA SMART	01-B36B-0013.0000
EF	GEORGE M. & JUDY LEWIS	01-B36B-0014.0000
EG	GEORGE M. & JUDY LEWIS	01-B36B-0012.0000
EH	BELINDA DAUGHERTY & ET AL	01-B36B-0011.0000
EI	BARBARA MCCUTCHAN	01-B36B-0010.0000
EJ	WILLIAM B., JR. & ELIZABETH N. CAIN	01-B36B-0009.0000
EK	SHEILA ANN LAZEAR, ROBERT S. LAZEAR & ET AL	01-B36B-0008.0000
EL	SHEILA ANN LAZEAR, ROBERT S. LAZEAR & ET AL	01-B36B-0007.0000
EM	JOHN C. & KELLY A. RICHIE	01-B36B-0006.0000
EN	JOHN C. & KELLY A. RICHIE	01-B36B-0005.0000
EO	PATRICK J. DALBO	01-B36B-0002.0000
EP	THE VILLAGE OF BEECH BOTTOM	01-B36B-0001.0000
EQ	BROWNLEE LAND VENTURES, LP	01-B36B-0115.0000
ER	JOYCE A. SMITH	01-B36B-0120.0000

ADJOINING OWNERS TABLE		
TRACT	SURFACE OWNER	TAX PARCEL
ES	HEALTHWAYS, INC.	01-B36B-0121.0000
ET	JEFFREY A. & AMY J. GIBSON	01-B36B-0122.0000
EU	ROSSO ENTERPRISE, LLC (A WEST VIRGINIA CORPORATION)	01-BB31-0008.0001
EV	GARY LEE & WENDY FAITH BENNETT	01-BB31-0010.0000
EW	WHEELING LAND DEVELOPMENT CORPORATION	01-BB31-0006.0000
EX	LEON W. FALCON, CRAIG A. FALCON & CARL J. FALCON	01-BB31-0044.0000
EY	THE VILLAGE OF BEECH BOTTOM	01-BB31-0027.0000
EZ	KEVIN A. & PATRICIA A. SCHANE	01-BB31-0024.0000
FA	KEVIN A. & PATRICIA A. SHANE	01-BB31-0020.0000
FB	LISA LANCASTER	01-BB31-0021.0000
FC	ALBERT T. & SHEILA PELL	01-BB31-0025.0000
FD	BERNARD J. LOMBARD, III	03-B31-0081.0000
FE	UNKNOWN OWNER	03-B31-0074.0000
FF	JOYCE A. CAPELLE	01-BB31-0018.0000
FG	LOUIS W. MILLER	01-BB31-0014.0000
FH	LOUIS J. & ARLINE F. MILLER	01-BB31-0016.0000
FI	LOUIS J. & ARLINE F. MILLER	01-BB31-0017.0000
FJ	EDWARD A. CONERY	01-B36B-0125.0000
FK	LOUIS & ARLINE MILLER	03-B36-0005.0000
FL	LOUIS & ARLINE MILLER	03-B36-0006.0000
FM	STEPHEN A. FODOR	03-B36-0176.0000
FN	JOHN R. HOFFMAN & ALICE J. BUCHANAN	03-B36-0175.0000
FO	PAUL D. & KIMBERLY D. LEONARD	03-B36-0173.0000
FP	BRANNON P. & EMILY M. LEONARD	03-B36-0172.0000
FQ	BRANNON P. & EMILY M. LEONARD	03-B36-0171.0000
FR	HARLEY J. LEMASTERS	03-B36-0170.0000
FS	HARLEY J. LEMASTERS	03-B36-0047.0000
FT	HARLEY LEMASTERS	03-B36-0046.0000
FU	HARLEY LEMASTERS	03-B36-0045.0000
FV	HARLEY LEMASTERS	03-B36-0044.0000
FW	HARLEY LEMASTERS	03-B36-0043.0000
FX	HARLEY J. LEMASTERS	03-B36-0042.0000
FY	HARLEY J. LEMASTERS	03-B36-0041.0000
FZ	JOHN BADO	03-B36-0002.0000
GA	JOHN BADO	03-B36-0001.0000
GB	HUBERT ESTES & ERMA HEADEN	03-B36L-0002.0000
GC	LESTER & KATHERINE WALLACE	03-B36L-0003.0000
GD	LESTER & KATHERINE WALLACE	03-B36L-0004.0000
GE	LESTER & KATHERINE WALLACE	03-B36L-0005.0000
GF	WINDSOR POWER HOUSE COAL COMPANY	03-B36L-0027.0000
GG	WINDSOR POWER HOUSE COAL COMPANY	03-B36L-0028.0000
GH	FLOYD R. & DORIS M. LOUGHRIE	03-B36L-0030.0000
GI	ANTHONY ALLEN WHITEHEAD	03-B36L-0044.0000
GJ	CHRISTOPHER & MAUREEN GOLICK	03-B36L-0043.0000
GK	KEITH L. HAMILTON	03-B36L-0034.0000
GL	KEITH L. HAMILTON	03-B36L-0035.0000
GM	KEITH HAMILTON	03-B36L-0037.0000
GN	FLOYD R. & DORIS M. LOUGHRIE	03-B36L-0038.0000
GO	TAMMY S. MASSEY	03-B36L-0039.0000
GP	BRIAN L. TESLOVICH	03-B36-0145.0000
GQ	COLUMBIA GAS COMPANY	03-B36-0144.0000
GR	LYNN COULTER, DAVID COULTER & ET AL	03-B36-0143.0000
GS	BEECH BOTTOM VOLUNTEER FIRE DEPARTMENT	03-B36-0105.0000
GT	TREVOR SEAN RICHMAN	03-B36-0106.0000
GU	MARK A. & MELODY J. ADAMS	03-B36-0142.0000
GV	FREDERICK B. & JULIE M. DAVIS	03-B36-0108.0000
GW	DAVID MCCLURE	03-B36-0110.0000
GX	CAROL L. DUFFY	03-B36-0113.0000
GY	LORETTA JOAN BASIL	03-B41-0099.0000
GZ	ERNEST F. & JOANNE P. CAPP	03-B41-0098.0000
HA	ELIZABETH ELLEN FLUHARTY	03-B41-0095.0000
HB	DANIEL R. GORBY	03-B41-0061.0006
HC	COREY CONLEY	03-B41-0061.0005
HD	SANDRA W. BUTLER	03-B41-0061.0009
HE	SANDRA BUTLER	03-B41-0069.0000
HF	RONALD C. BUTLER, CHRISTINA BUTLER & JAMES R. BUTLER	03-B41-0070.0000
HG	SANDRA W. BUTLER	03-B41-0072.0000
HH	SANDRA W. BUTLER	03-B41-0078.0000
HI	JAY G. COLLINS	03-B41-0079.0000
HJ	JAY G. COLLINS, II	03-B41-0085.0000
HK	HENRY MIKELS & BONNIE J. BURKETT	03-B41-0086.0001
HL	JASON D. & MARY E. WHITE	03-B41-0086.0000
HM	ROBERT D., II & LESLIE C. HILDEBRAND	03-B42-0063.0000
HN	FRANK G. & KELLY L. AINSCOUGH	03-B42-0071.0000
HO	HENRY HEINZEROTH	03-B42-0032.0000
HP	APPALACHIA MIDSTREAM SERVICES, LLC	03-B42-0030.0000
HQ	APPALACHIA MIDSTREAM SERVICES, LLC	03-B42-0031.0000
HR	APPALACHIA MIDSTREAM SERVICES, LLC	03-B42-0029.0000
HS	ELIZABETH ELLEN FLUHARTY	03-B47-0018.0000
HT	MARK & TRINA PROVENZANO	03-B41-0080.0001

REVISIONS:

COMPANY:

SWN
Production Company, LLC

SWN ^{R-V+}
Production Company™

OPERATOR'S

KATHY MAYHEW BRK

WELL #:

201H

DISTRICT:
BUFFALO

COUNTY:
BROOKE

STATE:
WV

DATE: 01-15-2020
API NO: 47-009-00208
DRAWN BY: R. GRIMES
SCALE: N/A
DRAWING NO: 2018-341
WELL LOCATION PLAT

PROPERTY NUMBER 2501166090
PAD ID 3001156092

WELL LOCATION PLAT	DRAWING NO: 2018-341	SCALE: N/A	DRAWN BY: R. GRIMES	API NO: 47-009-00208	DATE: 01-12-2020
BUFFALO	DISTRICT:	BROOKE	COUNTY:	STATE: WV	OPERATOR'S: KATHY MAYHEW BRK
	WELL #:	201H	COMPANY: Production Company, L.L.C.		
	REVISIONS:		Production Company, L.L.C.		

TRACT	SURFACE OWNER	TAX PARCEL
ER	JOYCE A SMITH	01-8388-0120.0000
EP	THE VILLAGE OF BEECH BOTTOM	01-8388-0001.0000
EO	BROWNLEE LAND VENTURES, LP	01-8388-0112.0000
EN	JOHN C. & KELLY A. RICHIE	01-8388-0005.0000
EM	JOHN C. & KELLY A. RICHIE	01-8388-0006.0000
EL	SHEILA ANN LAZEAR, ROBERT S. LAZEAR & ET AL	01-8388-0007.0000
EK	SHEILA ANN LAZEAR, ROBERT S. LAZEAR & ET AL	01-8388-0008.0000
EJ	WILLIAM B. JR. & ELIZABETH N. CAIN	01-8388-0009.0000
EI	BARBARA MCCUTCHAN	01-8388-0010.0000
EH	BELINDA DAUGHERTY & ET AL	01-8388-0011.0000
EG	GEORGE M. & JUDY LEWIS	01-8388-0012.0000
EF	GEORGE M. & JUDY LEWIS	01-8388-0013.0000
EE	JUSTIN & AMANDA SMART	01-8388-0014.0000
ED	JUSTIN & AMANDA SMART	01-8388-0015.0000
EC	THE VILLAGE OF BEECH BOTTOM	ALLEY A
EB	THE VILLAGE OF BEECH BOTTOM	01-8388-0016.0000
EA	DONALD J. LYNCH	01-8388-0018.0000
EZ	RONNIE J. OTTO	01-8388-0060.0000
DY	CLINTON W. & LORRAINE DEWITT	01-8388-0081.0000
DX	BOARD OF EDUCATION	01-8388-0106.0000
DW	LARRY W. GRIMES	01-8388-0021.0000
DV	LARRY W. GRIMES	01-8388-0022.0000
DU	MONDONGALEA POWER COMPANY	01-8388-0023.0000
DT	JANET L. RICHARDSON	01-8388-0024.0000
DS	JANET L. RICHARDSON	01-8388-0025.0000
DR	JANET L. RICHARDSON	01-8388-0026.0000
DP	JANET L. RICHARDSON	01-8388-0027.0000
DD	JANET L. RICHARDSON	01-8388-0028.0000
DC	GLENN T. & CAROLYN MDORRE	01-8388-0071.0000
DB	PHYLIS MARKER	01-8388-0072.0000
DA	SHELBY L. CASTO	01-8388-0073.0000
CZ	SHELBY L. CASTO	01-8388-0074.0000
CY	MICHAEL EDWARD & EMMA FEDCSAK	01-8388-0075.0000
CX	MICHAEL EDWARD & EMMA FEDCSAK	01-8388-0076.0000
CW	JAC FRED W. LLC (A NORTH CAROLINA LLC)	02-8388-0028.0000
CV	BUSINESS DEVELOPMENT CORP OF THE NORTHERN PANHANDLE	01-8388-0077.0000
CT	C & P TELEPHONE COMPANY OF WEST VIRGINIA	01-8388-0078.0000
CS	GEORGE W. & CHARLOTTE BARNHART	01-8388-0079.0000
CR	GEORGE W. & CHARLOTTE BARNHART	01-8388-0081.0000
CO	TERRY LYNN LILLY	01-8388-0084.0000
CP	BRUCE & DEBBI SELMON	01-8388-0085.0000
CO	BRUCE & DEBBI SELMON	01-8388-0086.0000
CM	JOHN ESKEY	01-8388-0087.0000
CL	TARA D. SUTER	01-8388-0088.0000
CK	TARA A. SUTER	01-8388-0089.0000
CJ	WILLIAM E. & DEBRA J. LEONARD	01-8388-0092.0000
CI	UNKNOWN OWNER	01-8388-0094.0000
CH	GARY EDWARD & CONSTANCE J. COOPER	01-8388-0095.0000
CG	NICHOLAS RYKAIWECZ	01-8388-0096.0000
CF	WILLIAM JONES	01-8388-0098.0000
CE	WILLIAM JONES	01-8388-0099.0000
CD	CURTIS D. & TIM J. OSSMAN	01-8388-0100.0000
CC	THE VILLAGE OF BEECH BOTTOM	01-8388-0101.0000
CB	DOLORIS VIRGINIA COEN	01-8388-0102.0000
CA	THE VILLAGE OF BEECH BOTTOM	01-8388-0103.0000
BZ	DENNIS RUSCHEL	01-8388-0002.0000
BY	BUSINESS DEVELOPMENT CORP OF THE NORTHERN PANHANDLE	01-8388-0017.0000
BX	WANDA S. JONES	01-8388-0019.0000
BW	MARISSA J. FORSHEY	01-8388-0020.0000
BV	MARISSA J. FORSHEY	01-8388-0021.0000
BU	DONALD E. & PATRICIA A. GILBERT	01-8388-0022.0000
BT	MARISSA J. & ROBERT B. FORSHEY	01-8388-0023.0000
BS	LINDA DARLIN SPECER	01-8388-0024.0000
BR	CARL B. LINDSEY	01-8388-0025.0000
BR	MORRIS BLEAU	01-8388-0026.0000
BO	MORRIS BLEAU	01-8388-0027.0000
BP	MORRIS BLEAU	01-8388-0028.0000
BQ	MORRIS BLEAU	01-8388-0029.0000
BN	DONALD & ROSEMARIE MEADOWS	01-8388-0043.0000
BM	JOHN MILLER	01-8388-0044.0000
BL	YALISSA NEGRI	01-8388-0045.0000
BK	YALISSA NEGRI	01-8388-0046.0000
BJ	JOHN & VIOLET E. CORSO	01-8388-0047.0000
BI	JOHN & VIOLET E. CORSO	01-8388-0048.0000
BH	JOHN & VIOLET E. CORSO	01-8388-0049.0000
BA	MARK & SHARON KAY JORDAN	01-8388-0050.0000
BA	MARK J. & SHARON KAY JORDAN	01-8388-0051.0000
BB	JAMES D. MEADOWS	01-8388-0052.0000
BB	JAMES D. MEADOWS	01-8388-0053.0000
BC	CHARLES G. & CHRISTINE L. HOOD	01-8388-0054.0000

TRACT	SURFACE OWNER	TAX PARCEL
HT	MARK & TRINA PROVENZANO	02-8388-0080.0001
HS	ELIZABETH ELLEN FLUHARTY	02-847-0018.0000
HR	APPALACHIA MIDSTREAM SERVICES, LLC	02-845-0028.0000
HQ	APPALACHIA MIDSTREAM SERVICES, LLC	02-845-0029.0000
HP	APPALACHIA MIDSTREAM SERVICES, LLC	02-845-0030.0000
HO	HENRY HEINZROTH	02-845-0032.0000
HN	FRANK G. & KELLY J. ANSCOUGH	02-845-0071.0000
HM	ROBERT D. II & LESLIE C. HILDBRAND	02-845-0082.0000
HL	JASON D. & MARY E. WHITE	02-841-0086.0000
HK	HENRY MIKELZ & BONNIE J. BURKETT	02-841-0088.0001
HH	JAY C. COLLINS, II	02-841-0089.0000
HG	JAY C. COLLINS, II	02-841-0090.0000
HJ	JAY C. COLLINS, II	02-841-0091.0000
HK	JAY C. COLLINS, II	02-841-0092.0000
HI	JAY C. COLLINS, II	02-841-0093.0000
HH	JAY C. COLLINS, II	02-841-0094.0000
HF	RONALD C. BUTLER, CHRISTINA BUTLER & JAMES R. BUTLER	02-841-0070.0000
HE	SANDRA BUTLER	02-841-0088.0000
HD	SANDRA W. BUTLER	02-841-0089.0000
HC	COREY CONLEY	02-841-0091.0005
HB	DANIEL R. DORBY	02-841-0081.0006
HA	ELIZABETH ELLEN FLUHARTY	02-841-0082.0000
GZ	ERNEST F. & JOANNE P. CAPP	02-841-0088.0000
GY	LORETTA JOAN BASIL	02-841-0098.0000
GX	CAROL J. DUFFY	02-841-0112.0000
GW	DAVID MCCURE	02-838-0110.0000
GV	FREDERICK B. & JULIE M. DAVIS	02-838-0108.0000
GU	MARK A. & MELDYL J. ADAMS	02-838-0142.0000
GT	TREVOR SEAN RICHMAN	02-838-0106.0000
GS	BECH BOTTOM VOLUNTEER FIRE DEPARTMENT	02-838-0102.0000
GR	LYNN COULTER, DAVID COULTER & ET AL	02-838-0143.0000
GO	COLUMBIA GAS COMPANY	02-838-0144.0000
GP	BRIAN J. TETLOWICH	02-838-0145.0000
GQ	TAMMY S. MASSEY	02-838-0039.0000
GN	FLOYD R. & DORIS M. LOUGHRAN	02-838-0038.0000
GM	KEITH HAMILTON	02-838-0037.0000
GL	KEITH L. HAMILTON	02-838-0032.0000
GK	KEITH L. HAMILTON	02-838-0024.0000
GJ	CHRISTOPHER & MAUREEN GOLICK	02-838-0043.0000
GI	ANTHONY ALLEN WHITEHEAD	02-838-0044.0000
GH	FLOYD R. & DORIS M. LOUGHRAN	02-838-0030.0000
GF	WINDSOR POWER HOUSE COAL COMPANY	02-838-0028.0000
GE	WINDSOR POWER HOUSE COAL COMPANY	02-838-0027.0000
GD	WINDSOR POWER HOUSE COAL COMPANY	02-838-0026.0000
GC	WINDSOR POWER HOUSE COAL COMPANY	02-838-0025.0000
GB	LESTER & KATHERINE WALLACE	02-838-0005.0000
GA	LESTER & KATHERINE WALLACE	02-838-0004.0000
GC	LESTER & KATHERINE WALLACE	02-838-0003.0000
GC	LESTER & KATHERINE WALLACE	02-838-0002.0000
GA	HUBERT ESTES & ERMA HEADEN	02-838-0001.0000
FZ	JOHN BADO	02-838-0002.0000
FY	HARLEY J. LEMASTERS	02-838-0041.0000
FX	HARLEY J. LEMASTERS	02-838-0042.0000
FV	HARLEY J. LEMASTERS	02-838-0043.0000
FU	HARLEY J. LEMASTERS	02-838-0044.0000
FT	HARLEY J. LEMASTERS	02-838-0045.0000
FS	HARLEY J. LEMASTERS	02-838-0046.0000
FR	HARLEY J. LEMASTERS	02-838-0047.0000
FQ	BRAINON P. & EMILY M. LEONARD	02-838-0121.0000
FP	BRAINON P. & EMILY M. LEONARD	02-838-0122.0000
FOD	PAUL D. & KIMBERLY D. LEONARD	02-838-0123.0000
FO	JOHN R. HOFFMAN & ALICE J. BUCHANAN	02-838-0125.0000
FM	STEPHEN A. FODOR	02-838-0126.0000
FL	LOUIS & ARLINE MILLER	02-838-0006.0000
FK	LOUIS & ARLINE MILLER	02-838-0007.0000
FJ	EDWARD A. CONEY	02-838-0125.0000
FI	LOUIS J. & ARLINE F. MILLER	01-8831-0017.0000
FI	LOUIS J. & ARLINE F. MILLER	01-8831-0018.0000
FH	LOUIS J. & ARLINE F. MILLER	01-8831-0019.0000
FG	LOUIS W. MILLER	01-8831-0014.0000
FE	JOYCE A. CAPLETT	01-8831-0018.0000
FF	UNKNOWN OWNER	02-831-0074.0000
FD	BERNARD J. LOMBARD, III	02-831-0081.0000
FC	ALBERT T. & SHEILA PELL	01-8831-0022.0000
FB	LISA LANCASTER	01-8831-0023.0000
FA	KEVIN A. & PATRICIA A. SHANE	01-8831-0020.0000
EZ	KEVIN A. & PATRICIA A. SHANE	01-8831-0021.0000
EY	THE VILLAGE OF BEECH BOTTOM	01-8831-0024.0000
EX	LEON W. FALCON, CRAIG A. FALCON & CARL J. FALCON	01-8831-0044.0000
EW	WHEELING LAND DEVELOPMENT CORPORATION	01-8831-0008.0000
EV	GARY LEE & WENDY FAITH BENNETT	01-8831-0010.0000
EU	ROSSO ENTERPRISE, LLC (A WEST VIRGINIA CORPORATION)	01-8831-0008.0001
ET	JEFFREY A. & AMY J. GIBSON	01-8388-0122.0000
ES	HEALTHWAYS, INC.	01-8388-0121.0000