

NOTES ON SURVEY

1. TIES TO WELLS AND CORNERS ARE BASED ON GRID NORTH FOR THE WV STATE PLANE COORDINATE SYSTEM NORTH ZONE NAD '27.
2. LEASE BOUNDARY SHOWN HEREON TAKEN FROM A PLAT DATED 06/11/1971 AS PREPARED BY JACKSON M. JARVIS, P.E. 2397 FOR WELL #11387.
3. SURFACE OWNER AND ADJOINER INFORMATION TAKEN FROM THE ASSESSOR AND COUNTY CLERK RECORDS OF HARRISON COUNTY IN JULY, 2010.
4. WELL LAT./LONG. (NAD'27) ESTABLISHED BY DGPS(SUBMETER MAPPING GRADE).

JOSEPH & STEPHANIE RICHARDS
9.15 ACRES±
TM 467-34

JOSEPH & STEPHANIE RICHARDS
73.93 ACRES±
TM 467-35
DB 1439 PG 1234

DAVID L. HINKLE & LISLE C. LEIGHTON
175.50 ACRES±
TM 467-52
DB 1282 PG 389

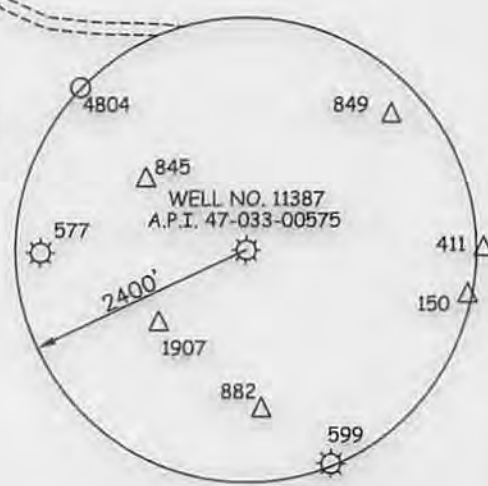
CHARLES R. SUTTON ET AL
105.17 ACRES±
TM 467-49
DB 1234 PG 635

JOSHUA A. HOLCOMB
5.76 ACRES±
TM 467-51
DB 1380 PG 954

JOSHUA A. HOLCOMB
8.87 ACRES±
TM 467-51.1
DB 1380 PG 954

CATHERINE MAURO
96.45 ACRES±
TM 487-4.1
DB 1244 PG 135

WELL NO. 11387
A.P.I. 47-033-00575



SIDNEY HAYMOND LEASE
200 ACRES±
WELL NO. 11387
A.P.I. 47-033-00575

(S.P.C. NORTH ZONE) (UTM(M) ZONE 17 NORTH)

NAD'27 S.P.C.(FT) N. 227,672 E. 1,762,635
NAD'27 GEO. LAT-(N) 39.12206 LONG-(W) 80.33663
NAD'83 UTM (M) N. 4,330,542 E. 557,360



I THE UNDERSIGNED, HEREBY CERTIFY THAT THIS PLAT IS CORRECT TO THE BEST OF MY KNOWLEDGE AND BELIEF AND SHOWS ALL THE INFORMATION REQUIRED BY LAW AND THE REGULATIONS ISSUED AND PRESCRIBED BY THE DIVISION OF ENVIRONMENTAL PROTECTION.

P.S. 677 *Gregory A. Smith*



(+) DENOTES LOCATION OF WELL ON UNITED STATES TOPOGRAPHIC MAPS.
DATE FEBRUARY 10, 20 14
REVISED _____ 20 _____
OPERATORS WELL NO. WV 11387
API WELL NO. 47 - 33 - 00575R
STATE COUNTY PERMIT

MINIMUM DEGREE OF ACCURACY 1 / 200 FILE NO. 8137P11387
HORIZONTAL & VERTICAL CONTROL DETERMINED BY DGPS (MAPPING GRADE) SCALE 1" = 500'

STATE OF WEST VIRGINIA
DIVISION OF ENVIRONMENTAL PROTECTION
OFFICE OF OIL AND GAS

WELL TYPE: OIL _____ GAS X LIQUID INJECTION _____ WASTE DISPOSAL _____ IF "GAS" PRODUCTION X STORAGE _____ DEEP _____ SHALLOW X

LOCATION: ELEVATION 1,246' WATERSHED TRIBUTARY OF LOST CREEK

DISTRICT GRANT COUNTY HARRISON QUADRANGLE BERLIN 7.5'

SURFACE OWNER DAVID L. HINKLE & LISLE C. LEIGHTON ACREAGE 175.50±

ROYALTY OWNER MRS. LEE B. COLEMAN ACREAGE 200±

PROPOSED WORK: LEASE NO. LC0008514

DRILL _____ CONVERT _____ DRILL DEEPER _____ REDRILL _____ FRACTURE OR STIMULATE X PLUG OFF OLD FORMATION _____ PERFORATE NEW FORMATION X PLUG AND ABANDON _____ CLEAN OUT AND REPLUG _____ OTHER _____

PHYSICAL CHANGE IN WELL (SPECIFY) _____ TARGET FORMATION BALLTOWN ESTIMATED DEPTH 3,200'

WELL OPERATOR DOMINION TRANSMISSION DESIGNATED AGENT JAMES BLASINGAME

ADDRESS P.O. BOX 2450 ADDRESS P.O. BOX 2450

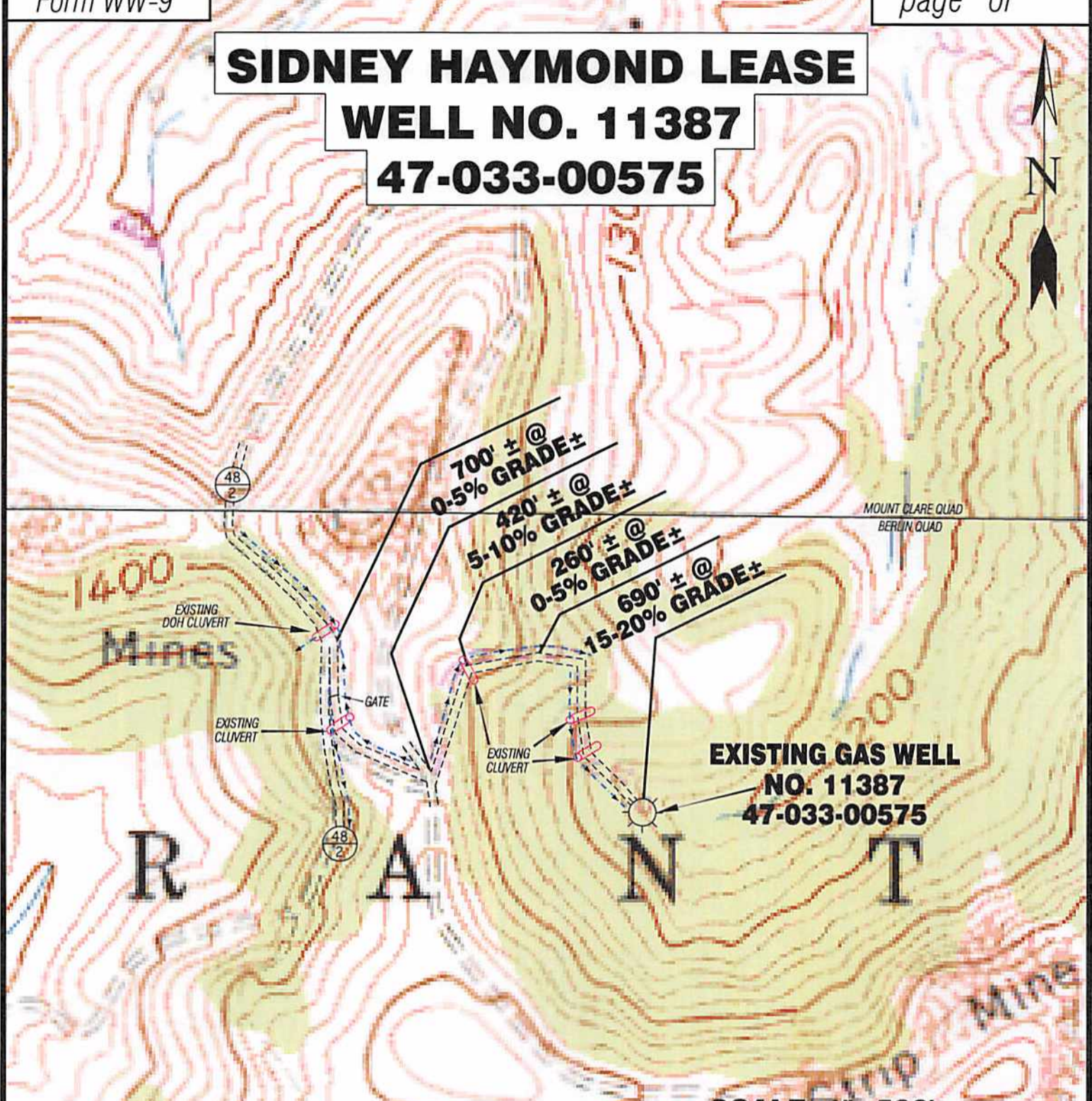
CLARKSBURG, WV 26301 CLARKSBURG, WV 26301 04/25/2014

COUNTY NAME PERMIT

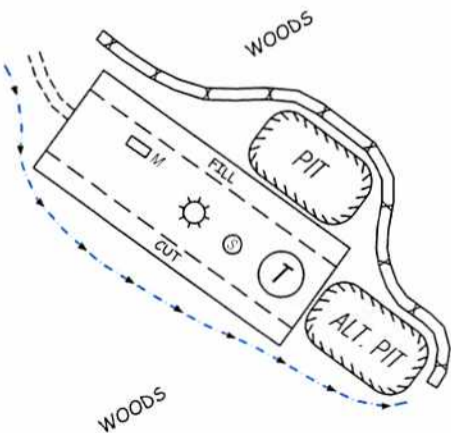
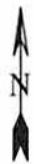
SIDNEY HAYMOND LEASE

WELL NO. 11387

47-033-00575



Detail Sketch for WELL NO. 11387
47-033-00575



NOT TO SCALE

SCALE: 1" = 500'



Received

MAR 24 2014

Office of Oil and Gas
WV Dept. of Environmental Protection

ALL ROADS SHOWN HEREON ARE EXISTING UNLESS OTHERWISE NOTED AND SHALL BE MAINTAINED IN ACCORDANCE WITH WV D.E.P. OIL AND GAS BMP MANUAL ENTRANCES AT COUNTY/STATE ROADS SHALL BE MAINTAINED IN ACCORDANCE WITH WV D.O.T. REGULATION. SEPARATE PERMITS MAY BE REQUIRED BY THE D.O.T.

SEDIMENT BASINS (TRAPS) AND APPROPRIATE EROSION CONTROL BARRIERS ARE TO BE CONSTRUCTED AT ALL CULVERT AND CROSS DRAIN INLETS AND OUTLETS AS REQUIRED IN THE WV D.E.P. OIL AND GAS BMP MANUAL. FIELD CONDITIONS (ROCK OUTCROPS AND BEDROCK) MAY PROHIBIT INLET TRAPS BEING INSTALLED. WHEN THESE CONDITIONS EXIST ADDITIONAL EROSION CONTROL MEASURES SHALL BE EVALUATED AND UTILIZED AS NEEDED.

EARTHWORK CONTRACTORS ARE RESPONSIBLE FOR NOTIFICATION TO THE OPERATOR AND INSPECTOR PRIOR TO ANY DEVIATION FROM THIS PLAN.

TEMPORARY SEED & MULCH ALL SLOPES AFTER CONSTRUCTION OF LOCATION.

CUT & STACK ALL MARKETABLE TIMBER.

STACKED BRUSH MAY BE USED FOR SEDIMENT CONTROL.

APPLICATIONS FOR SEPARATE PLC PERMITS ON THE ACCESS ROAD STREAM CROSSINGS HAVE BEEN PREPARED (IF APPLIES)

- = EXISTING CULVERT
- = PROPOSED CULVERT 15" MIN. UNLESS OTHERWISE NOTED
- = PROPOSED STREAM CROSSING



Professional Energy Consultants
A DIVISION OF SMITH LAND SURVEYING

SURVEYORS PROJECT MGMT. **SLS** ENGINEERS ENVIRONMENTAL

P.O. Box 150
Glenville, WV 26031
(304) 482-5834

8606 Dines Station Road
Shadyside, OH 43847
(740) 971-9611

HONESTY. INTEGRITY. QUALITY.

DRAWN BY K.G.M.	FILE NO. 8137	DATE 02/26/14	CADD FILE: 8135REC11387.DWG
--------------------	------------------	------------------	--------------------------------

04/25/2014