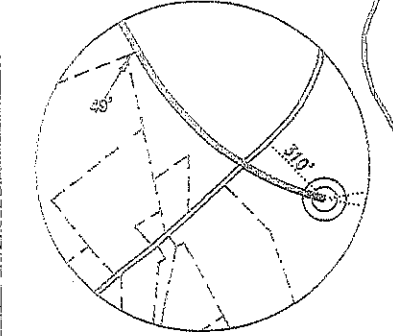
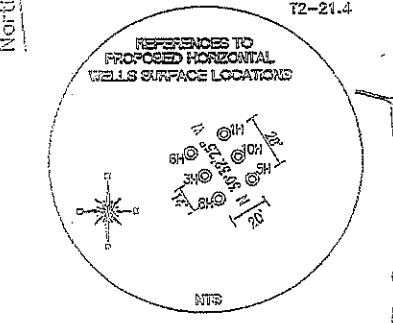
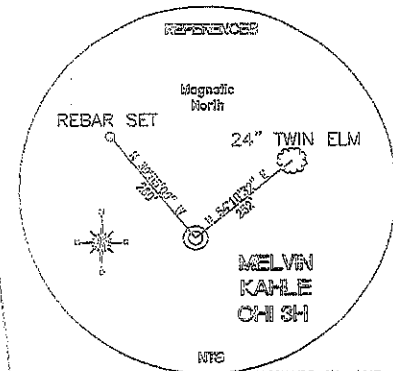


TOP HOLE (UTM 83)
N) 4455800.9
E) 531951.5
BOTTOM HOLE (UTM 83)
N) 5557538.3
E) 530843.2

TOP HOLE (NAD 83) N) 574504.6 E) 1653582.5 LAT.) 40°04'18.7" LONG.) 80°37'31.1" DEC. LAT.) 40.071866 DEC. LONG.) 80.625293	KOP (NAD 83) N) 574636.9 E) 1653100.3 LAT.) 40°04'20.0" LONG.) 80°37'37.3" DEC. LAT.) 40.072212 DEC. LONG.) 80.627022
TOP HOLE (NAD 27) N) 574467.7 E) 1685017.4 LAT.) 40°04'18.5" LONG.) 80°37'31.8" DEC. LAT.) 40.071793 DEC. LONG.) 80.625495	KOP (NAD 27) N) 574500.1 E) 1684535.3 LAT.) 40°04'19.7" LONG.) 80°37'38.0" DEC. LAT.) 40.072139 DEC. LONG.) 80.627224
TP (NAD 83) N) 575076.3 E) 1652861.6 LAT.) 40°04'24.5" LONG.) 80°37'40.4" DEC. LAT.) 40.073410 DEC. LONG.) 80.627895	BOTTOM HOLE (NAD 83) N) 580266.7 E) 1650041.7 LAT.) 40°05'15.2" LONG.) 80°38'17.5" DEC. LAT.) 40.087560 DEC. LONG.) 80.638205
TP (NAD 27) N) 575039.4 E) 1684296.6 LAT.) 40°04'24.0" LONG.) 80°37'41.1" DEC. LAT.) 40.073337 DEC. LONG.) 80.628098	BOTTOM HOLE (NAD 27) N) 580229.9 E) 1681476.8 LAT.) 40°05'15.0" LONG.) 80°38'18.3" DEC. LAT.) 40.087487 DEC. LONG.) 80.638406

REFERENCE LINES
RL #1
N 74°22'09" W 791'



BERNEICE C. HALL
94.35 TOTAL ACRES
LEASE NUMBER
1-292229-001
TAX MAP AND PARCEL
R18-5

EDWARD A. HATCHER
51.75 TOTAL ACRES
DEED BOOK / PAGE
815/411
TAX MAP AND PARCEL
T2-21

RUTH HALL
175.55 TOTAL ACRES
DEED BOOK / PAGE
814/339
TAX MAP AND PARCEL
T2-22

MARY ANN AND
GARY E. LAUDERMILT
1.88 TOTAL ACRES
LEASE NUMBER
1-345165-000
TAX MAP AND PARCEL
T2-26.1

470 LAND CO., L.L.C.
50.07 TOTAL ACRES
TAX MAP AND PARCEL
T7-155

KAREN J. BUTLER
5.214 TOTAL ACRES
LEASE NUMBER
1-309980-000
TAX MAP AND PARCEL
T7-160

BEVERLY K. SMITH
4.149 TOTAL ACRES
LEASE NUMBER
1-272708-000
TAX MAP AND PARCEL
T2-21.1

BEVERLY K. AND
DAVID H. SMITH
39.568 TOTAL ACRES
LEASE NUMBER
1-272708-000
TAX MAP AND PARCEL
T2-25

MELVIN W. KAHLE
50 TOTAL ACRES
LEASE NUMBER
1-324654-000
TAX MAP AND PARCEL
T2-30

MELVIN
KAHLE
OHI 3H

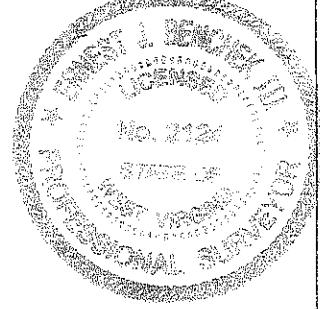
MELVIN W AND
CAROL M KAHLE
84.99 TOTAL ACRES
LEASE NUMBER
1-324654-000
TAX MAP AND PARCEL
T7-170

MARY A DICKEY
99.95 TOTAL ACRES
LEASE NUMBER
1-268375-000
TAX MAP AND PARCEL
T7-171

REFERENCE NOTES
Boundaries as shown taken from deeds, tax maps and field locations. A full boundary survey is not expressed nor implied. All bearings are based on true north. Ownership taken from public records Ohio County, West Virginia NOVEMBER 2011
State Plane Coordinates & NAD 83 Lat/Long by differential submeter mapping grade GPS
Drafted by: E.A.M.

FILE #: CHE 035
DRAWING #: 1923
SCALE: 1"=1600'
MINIMUM DEGREE OF ACCURACY: 1/200
PROVEN SOURCE SUBMETER MAPPING OF ELEVATION: GRADE GPS

I, THE UNDERSIGNED, HEREBY CERTIFY THAT THIS PLAT IS CORRECT TO THE BEST OF MY KNOWLEDGE AND BELIEF AND SHOWS ALL THE INFORMATION REQUIRED BY LAW AND THE REGULATIONS ISSUED AND PRESCRIBED BY THE DEPARTMENT OF ENVIRONMENTAL PROTECTION.
Signed:
L.L.S. #2124 : Ernest J. Benchek III



(+) DENOTES LOCATION OF WELL ON UNITED STATES TOPOGRAPHIC MAPS WVDEP
OFFICE OF OIL & GAS
601 5TH STREET
CHARLESTON, WV 25304

Well Type: Oil Waste Diposal Production Deep Gas Liquid Injection Storage Shallow

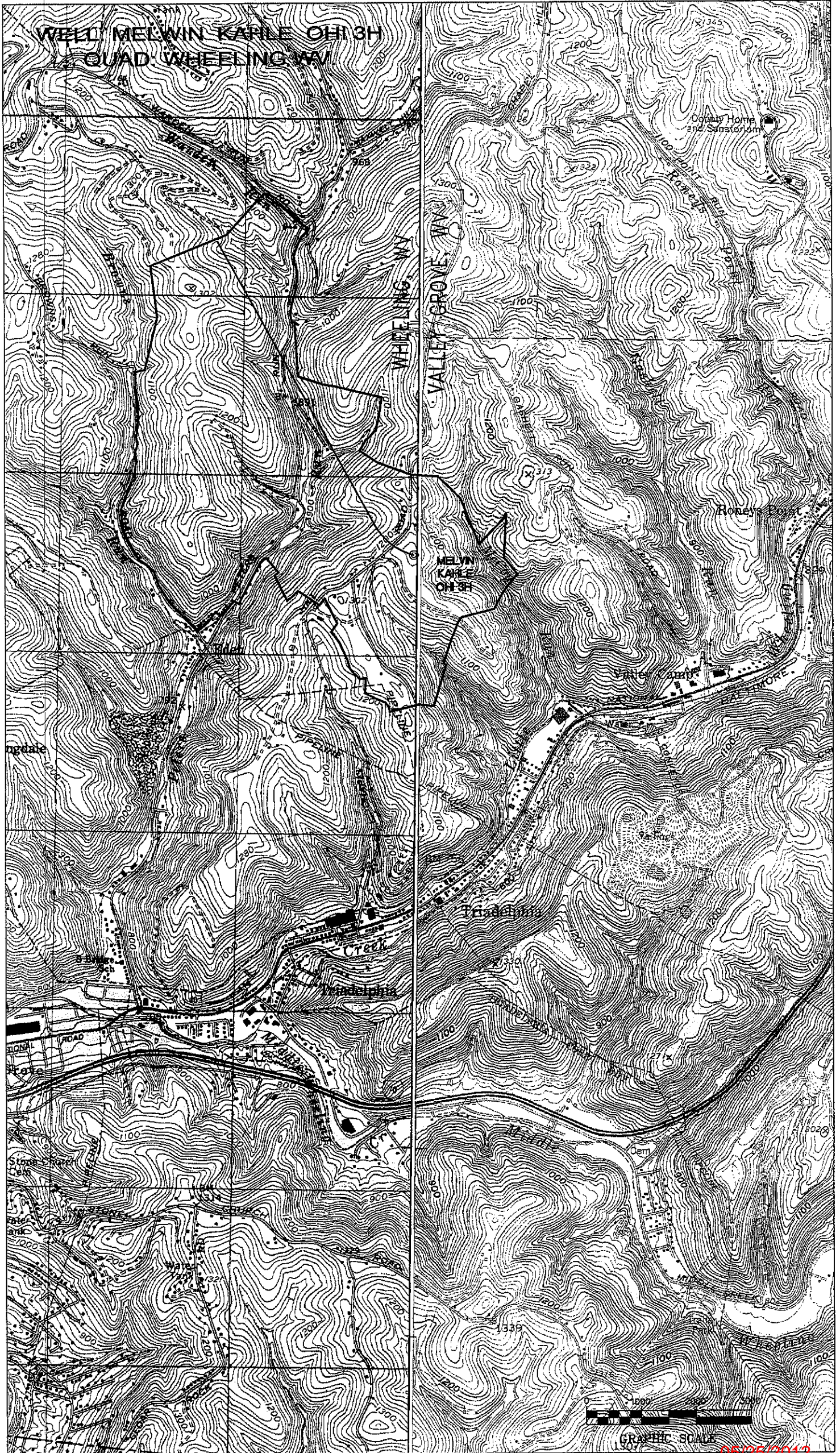
WATERSHED: UPPER OHIO SOUTH ELEVATION : 1,280'
COUNTY/DISTRICT: OHIO/TRIADELPHIA QUADRANGLE: WHEELING WV.
SURFACE OWNER: MELVIN W AND CAROL M KAHLE ACREAGE: 84.99 +/-
OIL & GAS ROYALTY OWNER: MELVIN W AND CAROL M KAHLE ACREAGE: 461.291 +/-
LEASE NUMBERS:

DATE: DECEMBER 19, 2011
OPERATOR'S WELL #: MELVIN KAHLE OHI 3H
API WELL #: 47 69 00124 H6A
STATE COUNTY PERMIT

DRILL CONVERT DRILL DEEPER REDRILL FRACTURE OR STIMULATE
PLUG OFF FORMATION PERFORATE NEW FORMATION PLUG & ABANDON
CLEAN OUT & REPLUG OTHER CHANGE (SPECIFY):

TARGET FORMATION: MARCELLUS ESTIMATED DEPTH: TVD: 6.265' TMD: 12.872'
WELL OPERATOR : CHESAPEAKE APPALACHIA, LLC. DESIGNATED AGENT : ERIC B. GILLESPIE
ADDRESS: PO BOX 18496 ADDRESS: Po Box 6070
CITY: OKLAHOMA CITY STATE: OK ZIP CODE: 73154-0496 CITY: CHARLESTON STATE: WV ZIP CODE: 25301

64-00124 H6A



05/25/2012