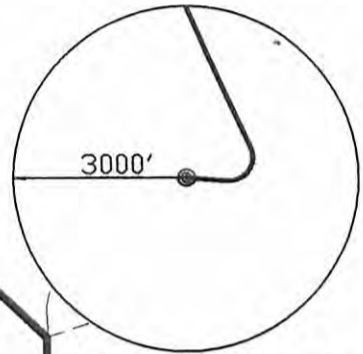
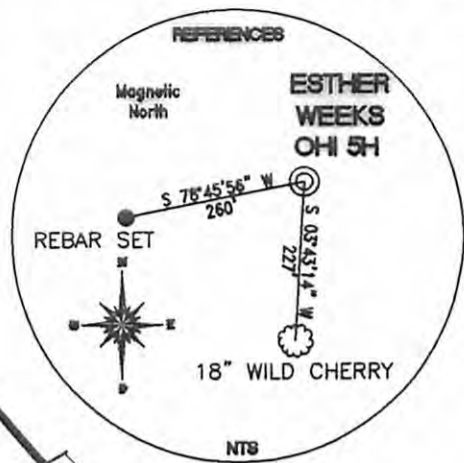
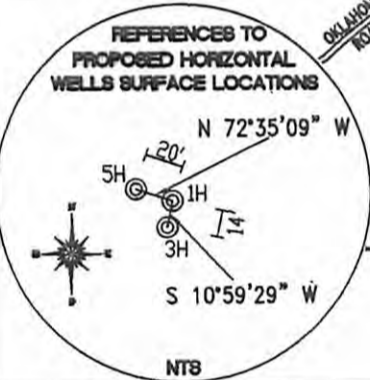
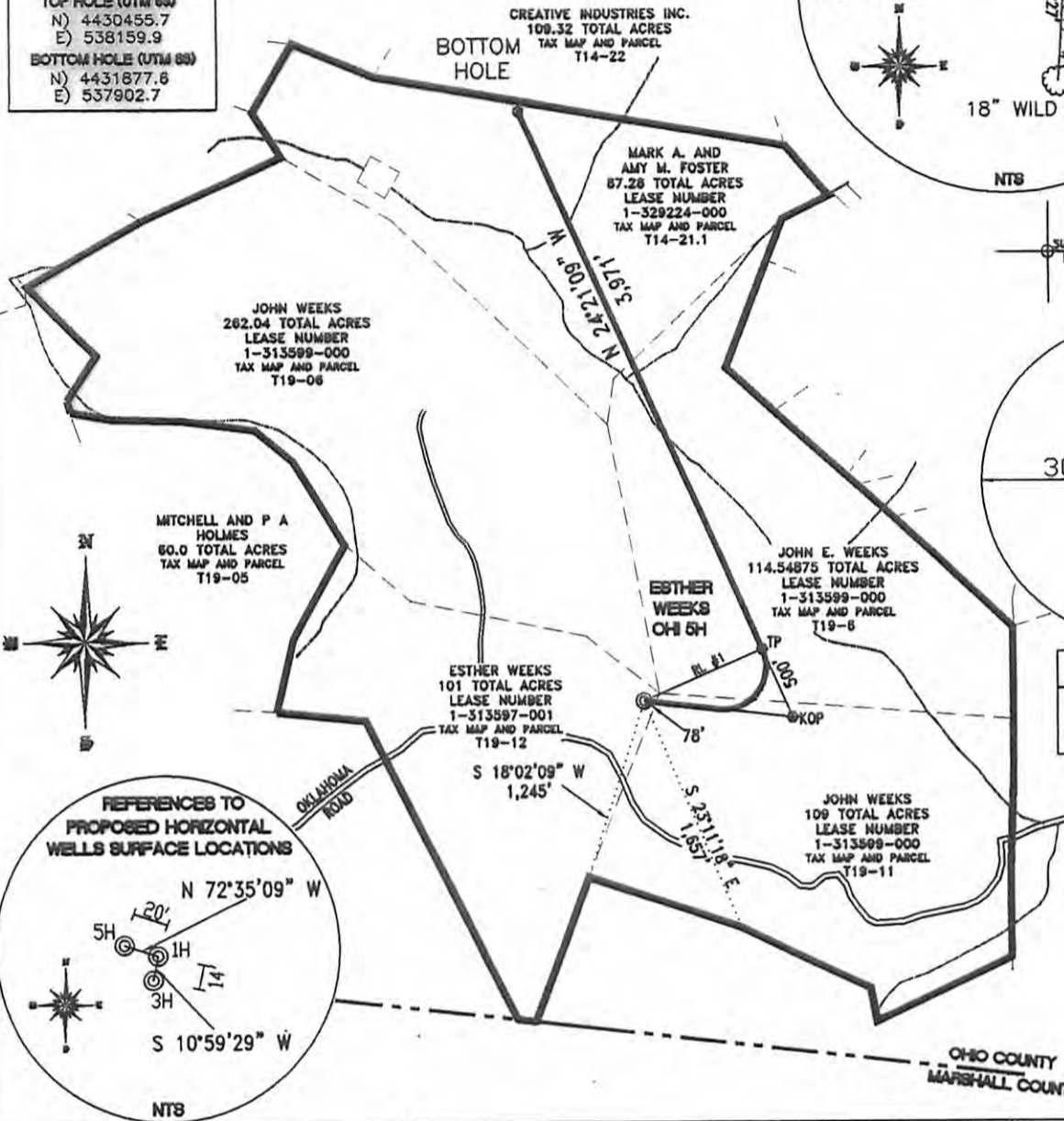


TOP HOLE (MAD 88)	KOP (MAD 88)	TP (MAD 88)	BOTTOM HOLE (MAD 88)
N) 557339.0 E) 1673728.7 LAT.) 40°01'31.5" LONG.) 80°33'09.3" DEC. LAT.) 40.025417 DEC. LONG.) 80.552594	N) 557229.5 E) 1674740.5 LAT.) 40°01'30.5" LONG.) 80°32'56.3" DEC. LAT.) 40.025149 DEC. LONG.) 80.548978	N) 557685.1 E) 1674534.3 LAT.) 40°01'35.0" LONG.) 80°32'59.0" DEC. LAT.) 40.026393 DEC. LONG.) 80.549731	N) 561303.2 E) 1672896.7 LAT.) 40°02'10.6" LONG.) 80°33'20.6" DEC. LAT.) 40.036272 DEC. LONG.) 80.555731
TOP HOLE (MAD 87)	KOP (MAD 87)	TP (MAD 87)	BOTTOM HOLE (MAD 87)
N) 557302.0 E) 1705163.0 LAT.) 40°01'31.2" LONG.) 80°33'10.1" DEC. LAT.) 40.025343 DEC. LONG.) 80.552799	N) 557192.6 E) 1706174.8 LAT.) 40°01'30.3" LONG.) 80°32'57.1" DEC. LAT.) 40.025075 DEC. LONG.) 80.549182	N) 557648.1 E) 1705968.6 LAT.) 40°01'34.7" LONG.) 80°32'59.8" DEC. LAT.) 40.026319 DEC. LONG.) 80.549937	N) 561266.2 E) 1704331.1 LAT.) 40°02'10.3" LONG.) 80°33'21.4" DEC. LAT.) 40.036198 DEC. LONG.) 80.555936

Latitude: 40° 02' 30"

Longitude: 80° 32' 30"

TOP HOLE (UTM 88)
N) 4430455.7
E) 538159.9
BOTTOM HOLE (UTM 88)
N) 4431877.6
E) 537902.7



REFERENCE LINES
RL #1
N 66°45'21\"/>

REFERENCE NOTES
Boundaries as shown taken from deeds, tax maps and field locations. A full boundary survey is not expressed nor implied. All bearings are based on true north. Ownership taken from public records Ohio County, West Virginia NOVEMBER 2011
State Plane Coordinates & NAD 83 Lat/Long by differential submeter mapping grade GPS
Drafted by: EAM

FILE #: CHE 021
DRAWING #: 1888
SCALE: 1"=1200'
MINIMUM DEGREE OF ACCURACY: 1/200
PROVEN SOURCE SUBMETER MAPPING OF ELEVATION: GRADE GPS

I, THE UNDERSIGNED, HEREBY CERTIFY THAT THIS PLAT IS CORRECT TO THE BEST OF MY KNOWLEDGE AND BELIEF AND SHOWS ALL THE INFORMATION REQUIRED BY LAW AND THE REGULATIONS ISSUED AND PRESCRIBED BY THE DEPARTMENT OF ENVIRONMENTAL PROTECTION.
Signed: *[Signature]*
L.L.S. #2124 : Ernest J. Benchek III



(+) DENOTES LOCATION OF WELL ON UNITED STATES TOPOGRAPHIC MAPS
WVDEP
OFFICE OF OIL & GAS
601 57TH STREET
CHARLESTON, WV 25304

Well Type: Oil Waste Diposal Production Deep
 Gas Liquid Injection Storage Shallow

WATERSHED: UPPER OHIO SOUTH ELEVATION : 1,260'
COUNTY/DISTRICT: OHIO/LIBERTY QUADRANGLE: VALLEY GROVE WV:
SURFACE OWNER: ESTHER WEEKS AND JOHN WEEKS ACREAGE: 101.0 +/-
OIL & GAS ROYALTY OWNER: ESTHER WEEKS ACREAGE: 411.83 +/-
LEASE NUMBERS: _____

DRILL CONVERT DRILL DEEPER REDRILL FRACTURE OR STIMULATE
PLUG OFF FORMATION PERFORATE NEW FORMATION PLUG & ABANDON
CLEAN OUT & REPLUG OTHER CHANGE (SPECIFY): _____

TARGET FORMATION: MARCELLUS ESTIMATED DEPTH: TVD: 6,684' TMD: 11,052'
WELL OPERATOR : CHESAPEAKE APPALACHIA, LLC. DESIGNATED AGENT : ERIC B. GILLESPIE
ADDRESS: PO BOX 18496 ADDRESS: Po Box 6070
CITY: OKLAHOMA CITY STATE: OK ZIP CODE: 73154-0496 CITY: CHARLESTON STATE: WV ZIP CODE: 25301

DATE: DECEMBER 07, 2011
OPERATOR'S WELL #: ESTHER WEEKS OHI 5H
API WELL #: 47 69 00129H6A
STATE COUNTY PERMIT

CANCELLED

06/13/2014