



---

**west virginia** department of environmental protection

---

Office of Oil and Gas  
601 57th Street SE  
Charleston, WV 25304  
(304) 926-0450  
(304) 926-0452 fax

Earl Ray Tomblin, Governor  
Randy C. Huffman, Cabinet Secretary  
[www.dep.wv.gov](http://www.dep.wv.gov)

August 29, 2013

**WELL WORK PLUGGING PERMIT**

**Plugging**

This permit, API Well Number: 47-8501821, issued to DEEM, J. F. OIL & GAS, LLC, is evidence of permission granted to perform the specified well work at the location described on the attached pages and located on the attached plat, subject to the provisions of Chapter 22 of the West Virginia Code of 1931, as amended, and all rules and regulations promulgated thereunder, and to all conditions and provisions outlined in the pages attached hereto. Notification shall be given by the operator to the Oil and Gas Inspector at least 24 hours prior to the construction of roads, locations, and/or pits for any permitted work. In addition, the well operator shall notify the same inspector 24 hours before any actual well work is commenced and prior to running and cementing casing. Spills or emergency discharges must be promptly reported by the operator to 1-800-642-3074 and to the Oil and Gas inspector.

Upon completion of the plugging well work, the above named operator will reclaim the site according to the provisions of WV Code 22-6-30. The above named operator will also file, as required in WV Code 22-6-23, an affidavit on form WR-38 by two experienced persons in the operator's employment and the Oil and Gas inspector that the work authorized under this permit was performed and a description given. Failure to abide by all statutory and regulatory provisions governing all duties and operations here under may result in suspensions or revocation of this permit and in addition may result in civil and/or criminal penalties being imposed upon the operator.

This permit will expire in two (2) years from date of issue. If there are any questions, please free to contact me at (304) 926-0499 ext. 1654.

James Martin  
Chief

Operator's Well No: 1  
Farm Name: DAVIS, KENNETH  
**API Well Number: 47-8501821**  
**Permit Type: Plugging**  
Date Issued: 08/29/2013

**Promoting a healthy environment.**

WW-4B  
Rev. 2/01  
*now*

1) Date July 29, 2013  
2) Operator's  
Well No. Kenneth Davis # 1  
3) API Well No. 47-085-01821

STATE OF WEST VIRGINIA  
DEPARTMENT OF ENVIRONMENTAL PROTECTION  
OFFICE OF OIL AND GAS

APPLICATION FOR A PERMIT TO PLUG AND ABANDON

4) Well Type: Oil \_\_\_ / Gas x / Liquid injection \_\_\_ / Waste disposal \_\_\_ /  
(If "Gas, Production \_\_\_ or Underground storage \_\_\_) Deep \_\_\_ / Shallow \_\_\_

5) Location: Elevation 980 Watershed Brushy Fork of Bone Creek  
District Union County Ritchie Quadrangle Auburn

6) Well Operator J F DEEM OIL & GAS CO 7) Designated Agent J F DEEM  
Address 4541 Emerson Avenue Address 4541 Emerson Ave  
Parkersburg, WV 26104 Parkersburg, WV 26104

8) Oil and Gas Inspector to be notified 9) Plugging Contractor  
Name David Cowan Name Lucas Well Service Inc  
Address Rt 1, Box 202 Address P O Box 4652  
Harrisville, WV 26362 Parkersburg, WV 26104

10) Work Order: The work order for the manner of plugging this well is as follows:

See Attached

RECEIVED  
Office of Oil and Gas  
AUG 27 2013  
WV Department of  
Environmental Protection

Notification must be given to the district oil and gas inspector 24 hours before permitted work can commence.

Work order approved by inspector *David W. Cowan* Date 8-19-13

Kenneth Davis 1

Manner of Plugging

47-085-01821

Cement 1882 - 1732 1650'  
 Gel 1650' - 1030'  
 Cement 1732 - 925  
 Cement 1030' - 825'  
 925 - 825'  
 1700'  
 Cut 4 1/2" casing @ 925 (or free point) and pull  
 Gel 825 - 125  
 Cement 125 - surface  
 Erect monument w/API Number

5 1/2" CASING MAY ONLY BE CEMENTED UP  
 TO 1710' ∴ YOU NEED TO FREE ASSUME  
 FREE POINT WILL BE ≈ 1700', AND PULL  
 1700' OF 5 1/2"

JWM

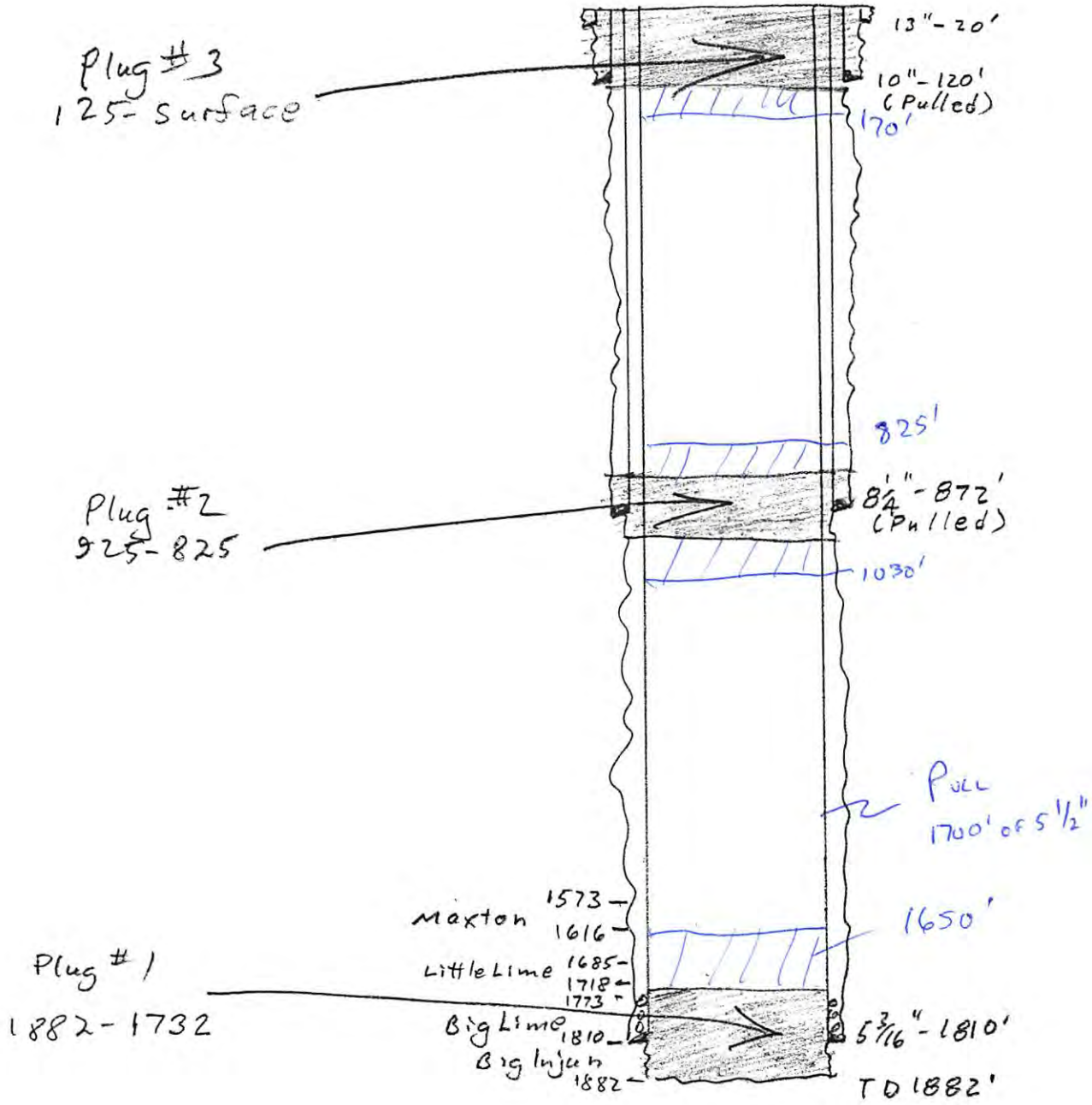
CEMENT FROM 1882 - 1650'  
 GEL FROM 1650' - 1030'  
 CEMENT FROM 1030' - 825'  
 GEL FROM 825' - 170'  
 CEMENT FROM 170' - SURFACE  
 ERECT MONUMENT W/API NUMBER

RECEIVED  
 Office of Oil and Gas  
 AUG 27 2013  
 WV Department of  
 Environmental Protection

(COVERS  
 ELEVATION  
 OF OLD CASING  
 SEAT)

Kenneth Davis |  
47-085-01821

8501821P



RECEIVED  
Office of Oil and Gas  
AUG 27 2013  
WV Department of  
Environmental Protection

Geol. Dept.  
 Date 1/10/58



STATE OF WEST VIRGINIA  
 DEPARTMENT OF MINES  
 OIL AND GAS DIVISION 22

8501821P

RECEIVED

DEC 16 1957

UNITED CARBON CO.  
 GEOLOGICAL DEPT.

94

Quadrangle Holbrook

WELL RECORD

Permit No. RIT- 1821

Oil or Gas Well Gas  
 (KIND)

Company Plymouth Oil Co.  
 Address Sinton, Texas  
 Farm Kenneth Davis Acres 116  
 Location (waters) Brushy Fork of Bone Crk.  
 Well No. 1 Elev. 980  
 District Union County Ritchie  
 The surface of tract is owned in fee by K. & Maxine Davis  
 Address \_\_\_\_\_  
 Mineral rights are owned by K. & Maxine Davis  
 Address \_\_\_\_\_  
 Drilling commenced 10 - 8 - 57  
 Drilling completed 10 - 22 - 57  
 Date Shot From \_\_\_\_\_ To \_\_\_\_\_  
 With \_\_\_\_\_  
 Open Flow /10ths Water in \_\_\_\_\_ Inch  
 /10ths Merc. in \_\_\_\_\_ Inch  
 Volume 672 m Cu. Ft.  
 Rock Pressure 640 lbs. 72 hrs.  
 Oil \_\_\_\_\_ bbls., 1st 24 hrs.  
 Fresh water \_\_\_\_\_ feet  
 Salt water \_\_\_\_\_ feet

Casing and Tubing	Used in Drilling	Left in Well	Packers
Size			
16			Kind of Packer
18	20	20	Bottom Hole
10	120		Size of
8 1/4	872		
6 3/4			Depth set
5 8/16	1810	1810	
3			Perf. top
2			Perf. bottom
Liners Used			Perf. top
			Perf. bottom

CASING CEMENTED 5 1/2 SIZE 100 No. Ft. 10-25 Date \_\_\_\_\_  
 COAL WAS ENCOUNTERED AT \_\_\_\_\_ FEET \_\_\_\_\_ INCHES  
 \_\_\_\_\_ FEET \_\_\_\_\_ INCHES FEET \_\_\_\_\_ INCHES  
 \_\_\_\_\_ FEET \_\_\_\_\_ INCHES FEET \_\_\_\_\_ INCHES

Formation	Color	Hard or Soft	Top	Bottom	Oil, Gas or Water	Depth Found	Remarks
Red Rock			0	17			
Lime			17	28			
Slate & Shells			28	110			
Red Rock			110	130			
Slate & Shells			130	190			
Red Rock			190	220			
Slate & Shells			220	270			
Red Rock			270	300			
Lime			300	325			
Slate & Shells			325	400			
Red Rock			400	470			
Slate & Shells			470	490			
Slate			490	500			
Lime			500	510			
Red Rock			510	535			
Sand			535	560			
Lime			560	610			
Slate & Shells			610	640			
Lime			640	675			
Red Rock			675	680			
Slate & shells			680	720			
Sand			720	730			
Slate			730	740			
Red Rock & Lime			740	775			
Slate & Shells			775	850			
Black Slate			850	872			
Sand			872	882			
Slate			882	910			

RECEIVED  
 Office of Oil and Gas  
 AUG 27 2013  
 WV Department of Environmental Protection



RIT-1821

Formation	Color	Hard or Soft	Top 22	Bottom	Oil, Gas or Water	Depth Found	Remarks
Red Rock			910	912			8501821P
Slate & Shell			912	955			
Grey Lime			955	1000			
Slate & Shells			1000	1012			
Gritty Lime			1012	1040			
Slate & Shells			1040	1100			
Gritty Lime			1100	1115			
Black Slate			1115	1120			
Sandy Lime & Slate			1120	1190			
Sand			1190	1267			
Slate & Shell			1267	1455			
Sand			1455	1487			
Slate			1487	1573			
Sand ( Maxton )			1573	1616			
Slate			1616	1657			
Lime			1657	1680			
Slate			1680	1685			
Lime ( Little Lime )			1685	1718			
Slate ( Pencil Cave )			1718	1733			
Lime ( Big Lime )			1733	1810			
Sand ( Big Injun			1810				
				1882	Gas	1866-1875	
Slate			1882	1888			
		Plugged Back to	1882				
		Before Fracturing		Open Flow		149	Mofd
		Fractured With	280 BBIs	Oil and 10,000 Lbs.			Sand
		After Fracturing		Open Flow		672	Mofd

RECEIVED  
Office of Oil and Gas  
AUG 27 2013  
WV Department of  
Environmental Protection

Date Dec 3, 1957

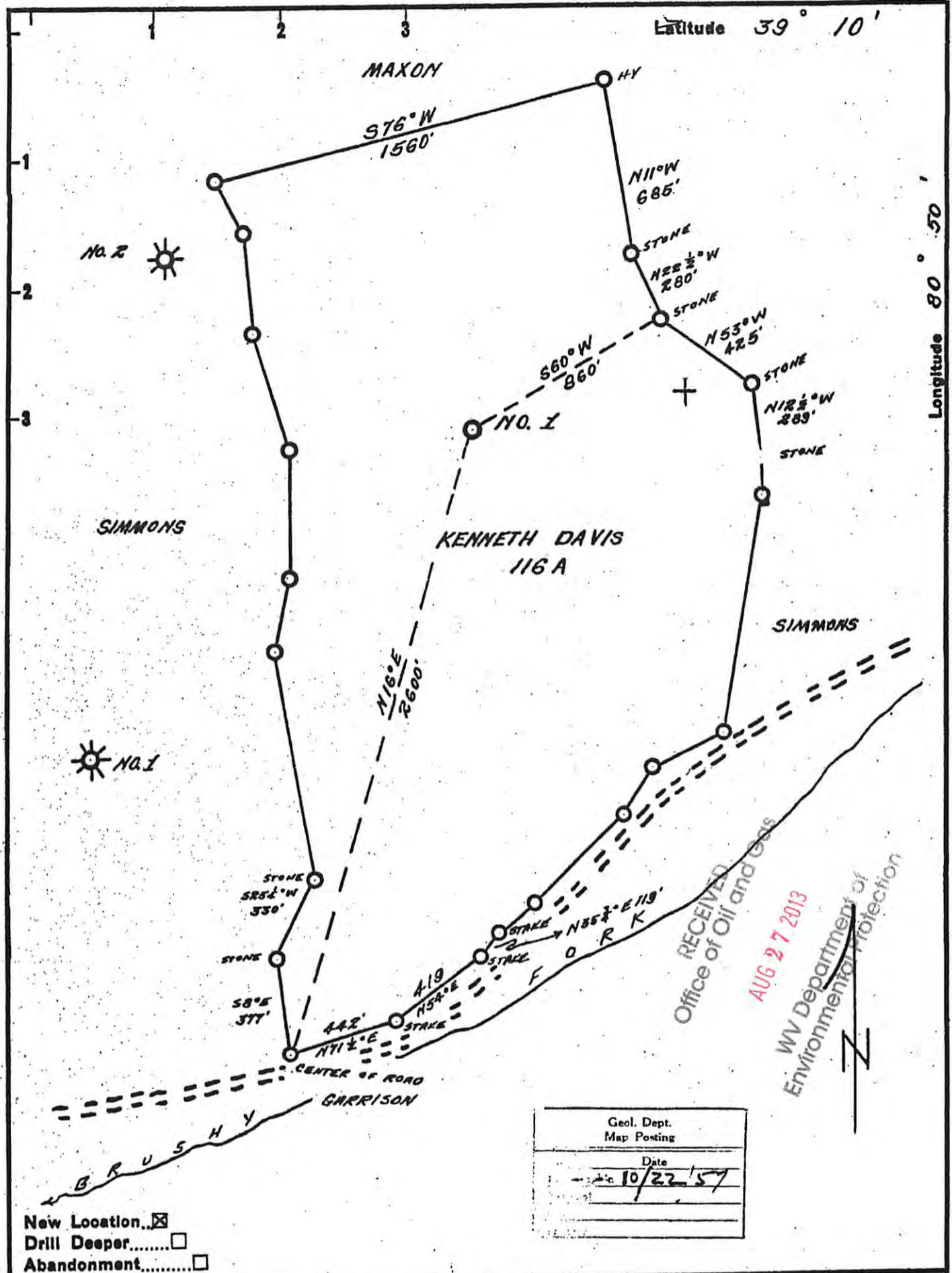
APPROVED Plymouth Oil Co., Owner

By C. S. Hill (Title)

Engr

8501821P

400



Company PLYMOTH OIL CO.

Address PITTSBURGH, PA.

Farm KENNETH DAVIS

Tract \_\_\_\_\_ Acres 116 Lease No. \_\_\_\_\_

Well (Farm) No. 1 Serial No. \_\_\_\_\_

Elevation (Spirit Level) 980'

Quadrangle HOLBROOK

County RITCHIE District UNION

Engineer Donald W. Morris  
BY J. F. DEEM

Engineer's Registration No. 1653

File No. \_\_\_\_\_ Drawing No. \_\_\_\_\_

Date OCT. 3, 1957 Scale 1" = 30 FEET

STATE OF WEST VIRGINIA  
DEPARTMENT OF MINES  
OIL AND GAS DIVISION  
CHARLESTON

**WELL LOCATION MAP**  
FILE NO. Rit-1821

+ Denotes location of well on United States Topographic Maps, scale 1 to 62,500, latitude and longitude lines being represented by border lines as shown.

- Denotes one inch spaces on border line of original tracing.

94

8501821P

CK# 14418

\$200.00  
for (2)

WW-4A  
Revised 6-07

1) Date: July 29, 2013  
2) Operator's Well Number  
Kenneth Davis # 1  
3) API Well No.: 47 - 085 - 01821

**STATE OF WEST VIRGINIA**  
**DEPARTMENT OF ENVIRONMENTAL PROTECTION, OFFICE OF OIL AND GAS**  
**NOTICE OF APPLICATION TO PLUG AND ABANDON A WELL**

4) Surface Owner(s) to be served:	5) (a) Coal Operator
(a) Name <u>Sally MacAllabaster</u> ✓	Name _____
Address <u>723 Reed Street</u>	Address _____
<u>Philadelphia, Pa 19147</u>	_____
(b) Name _____	(b) Coal Owner(s) with Declaration
Address _____	Name _____
_____	Address _____
(c) Name _____	Name _____
Address _____	Address _____
_____	_____
6) Inspector	(c) Coal Lessee with Declaration
Address _____	Name _____
_____	Address _____
Telephone _____	_____

**TO THE PERSONS NAMED ABOVE: You should have received this Form and the following documents:**

- (1) The application to Plug and Abandon a Well on Form WW-4B, which sets out the parties involved in the work and describes the well its and the plugging work order; and
- (2) The plat (surveyor's map) showing the well location on Form WW-6.

The reason you received these documents is that you have rights regarding the application which are summarized in the instructions on the reverses side. However, you are not required to take any action at all.

Take notice that under Chapter 22-6 of the West Virginia Code, the undersigned well operator proposes to file or has filed this Notice and Application and accompanying documents for a permit to plug and abandon a well with the Chief of the Office of Oil and Gas, West Virginia Department of Environmental Protection, with respect to the well at the location described on the attached Application and depicted on the attached Form WW-6. Copies of this Notice, the Application, and the plat have been mailed by registered or certified mail or delivered by hand to the person(s) named above (or by publication in certain circumstances) on or before the day of mailing or delivery to the Chief.

Well Operator J F DEEM OIL & GAS CO  
 By: JF Deem  
 Its: OWNER  
 Address 4541 EMERSON AVENUE  
PARKERSURG, WV 26104  
 Telephone 304 428-0005



Subscribed and sworn before me this 12th day of August, 2013  
Melinda K. Johnson Notary Public  
 My Commission Expires July 9, 2013

Oil and Gas Privacy Notice

Office of Oil and Gas  
WV Dept. of Environmental Protection

The Office of Oil and Gas processes your personal information, such as name, address and phone number, as a part of our regulatory duties. Your personal information may be disclosed to other State agencies or third parties in the normal course of business or as needed to comply with statutory or regulatory requirements, including Freedom of Information Act requests. Our office will appropriately secure your personal information. If you have any questions about our use of your personal information, please contact DEP's Chief Privacy Officer at [deprivacyoffier@wv.gov](mailto:deprivacyoffier@wv.gov).

Received



STATE OF WEST VIRGINIA  
DEPARTMENT OF ENVIRONMENTAL PROTECTION  
OFFICE OF OIL AND GAS

CONSTRUCTION AND RECLAMATION PLAN AND SITE REGISTRATION APPLICATION FORM  
GENERAL PERMIT FOR OIL AND GAS PIT WASTE DISCHARGE

Operator Name J F Deem Oil & Gas Co OP Code 307118

Watershed Brushy Fork of Bone Creek Quadrangle Auburn

Elevation 980 County Ritchie District Union

Description of anticipated Pit Waste: Fluids from plugging operations

Will a synthetic liner be used in the pit? As needed 20 MIL LINER

Proposed Disposal Method For Treated Pit Wastes:  
 Land Application  
 Underground Injection ( UIC Permit Number \_\_\_\_\_ )  
 Reuse (at API Number \_\_\_\_\_ )  
 Off Site Disposal (Supply form WW-9 for disposal location)  
 Other (Explain \_\_\_\_\_ )

RECEIVED  
Office of Oil and Gas  
AUG 27 2013  
WV Department of  
Environmental Protection

Proposed Work For Which Pit Will Be Used:  
 Drilling  Swabbing  
 Workover  Plugging  
 Other (Explain \_\_\_\_\_ )

I certify that I understand and agree to the terms and conditions of the GENERAL WATER POLLUTION PERMIT issued on August 1, 2005, by the Office of Oil and Gas of the West Virginia Department of Environmental Protection. I understand that the provisions of the permit are enforceable by law. Violations of any term or condition of the general permit and/or other applicable law or regulation can lead to enforcement action.

I certify under penalty of law that I have personally examined and am familiar with the information submitted on this application form and all attachments thereto and that, based on my inquiry of those individuals immediately responsible for obtaining the information, I believe that the information is true, accurate, and complete. I am aware that there are significant penalties for submitting false information, including the possibility of fine or imprisonment.

Company Official Signature J F Deem

Company Official (Typed Name) J F DEEM

Company Official Title OWNER

Subscribed and sworn before me this \_\_\_\_\_ day of August, 2013

Melinda K. Johnson Notary Public

My commission expires July 9, 2013



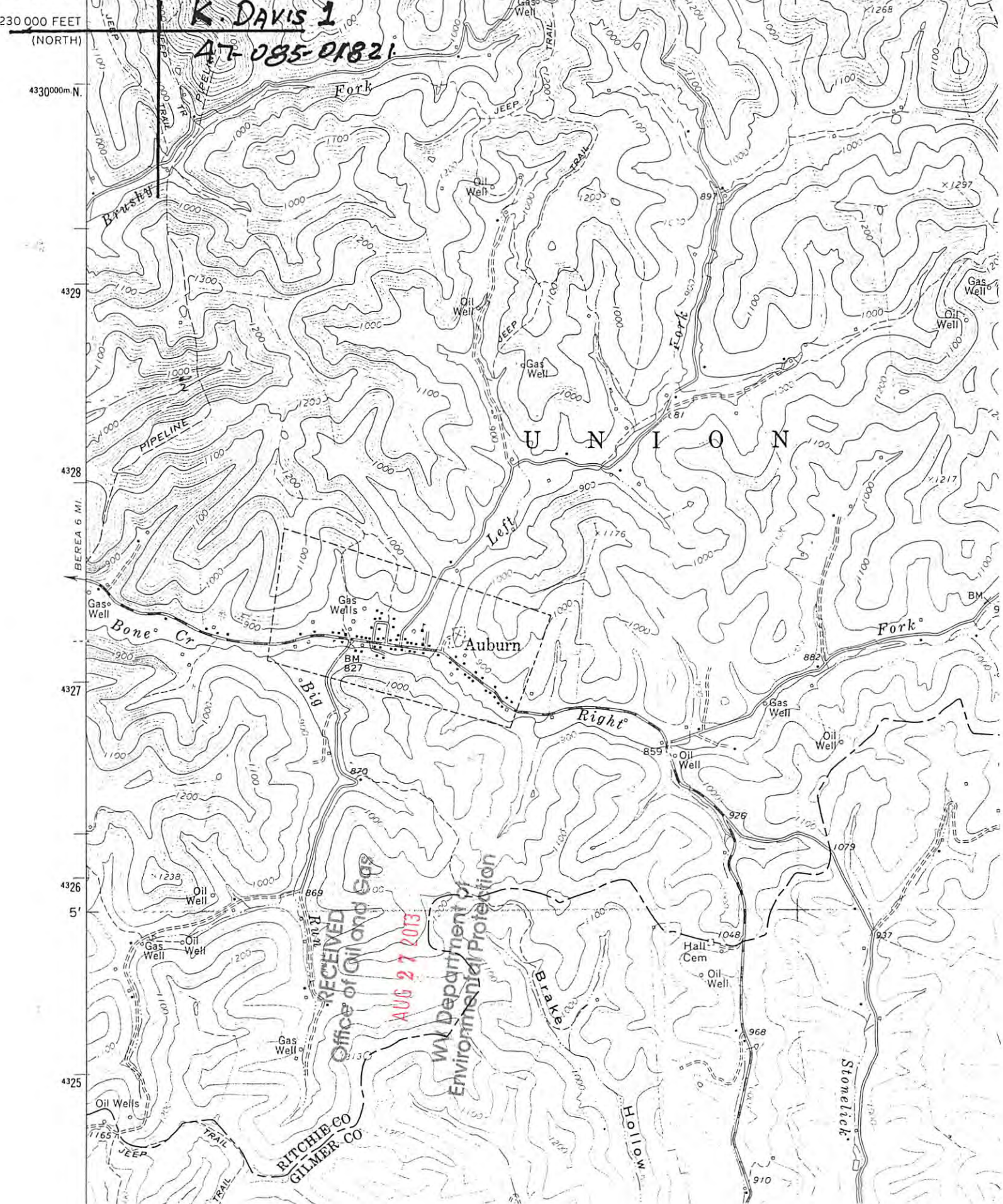
111 NW  
LLMAN

DEPARTMENT OF THE INTERIOR  
GEOLOGICAL SURVEY

8501821A

STATE

80° 52' 30" 5110000 E. 512 513 1 620 000 FEET (NORTH) 514 50' 515  
39° 07' 30"



K. DAVIS 1  
AT-085-01821

U N I O N

RECEIVED  
Office of Oil and Gas

AUG 27 2013

WV Department of  
Environmental Protection

RITCHIE CO  
GILMER CO

HOLLOW

Stomelick

WW-7  
8-30-06



West Virginia Department of Environmental Protection  
Office of Oil and Gas  
**WELL LOCATION FORM: GPS**

API: 47-085-01821 WELL NO.: Davis # 1

FARM NAME: Kenneth Davis

RESPONSIBLE PARTY NAME: J F Deem

COUNTY: Ritchie DISTRICT: Union

QUADRANGLE: Auburn

SURFACE OWNER: Kenneth Davis

ROYALTY OWNER: Kenneth Davis

UTM GPS NORTHING: 4,330,573

UTM GPS EASTING: 511,196 GPS ELEVATION: 299M *980'*

The Responsible Party named above has chosen to submit GPS coordinates in lieu of preparing a new well location plat for a plugging permit or assigned API number on the above well. The Office of Oil and Gas will not accept GPS coordinates that do not meet the following requirements:

- Datum: NAD 1983, Zone: 17 North, Coordinate Units: meters, Altitude: height above mean sea level (MSL) – meters.
- Accuracy to Datum – 3.05 meters
- Data Collection Method:

Survey grade GPS \_\_\_\_\_ : Post Processed Differential \_\_\_\_\_  
Real-Time Differential \_\_\_\_\_

Mapping Grade GPS X : Post Processed Differential \_\_\_\_\_  
Real-Time Differential \_\_\_\_\_

4. **Letter size copy of the topography map showing the well location.**

I the undersigned, hereby certify this data is correct to the best of my knowledge and belief and shows all the information required by law and the regulations issued and prescribed by the Office of Oil and Gas.

J F Deem  
Signature

Owner  
Title

8-5-13  
Date

RECEIVED  
Office of Oil and Gas

AUG 27 2013

WV Department of  
Environmental Protection