

85.09966



Antero Resources
 O'Neil Unit 2H
 Ritchie County WV
 Northing: 14233111.24
 Easting: 1673146.77
 Original Wellpath

WELL DETAILS: O'Neil Unit 2H

+N/S	0.0	Ground Level	1142.0
+E/W	0.0	Easting	1673146.77 56° 11' 43.515 N 80° 53' 4.112 W
		Latitude	39° 53' 4.112 W
		Longitude	
		Spot	

PROJECT DETAILS: Ritchie County WV

Geologic System: Universal Transverse Mercator (US Survey Feet)
 Datum: NAD 1983 (NAD83 CONUS)
 Ellipsoid: Clarke 1866
 Zone: Zone 17N (84 W to 78 W)
 System Datum: Mean Sea Level

REFERENCE INFORMATION

Coordinate (N/E) Reference: Well O'Neil Unit 2H, Grid from
 Vertical TPO Reference: O'Neil Unit 2H, 1142.0 ± 25.8 @ 1157.0m
 Master Station Reference: O'Neil Unit 2H, 1142.0 ± 25.8 @ 1157.0m
 Observation Method: Intersect, Ground

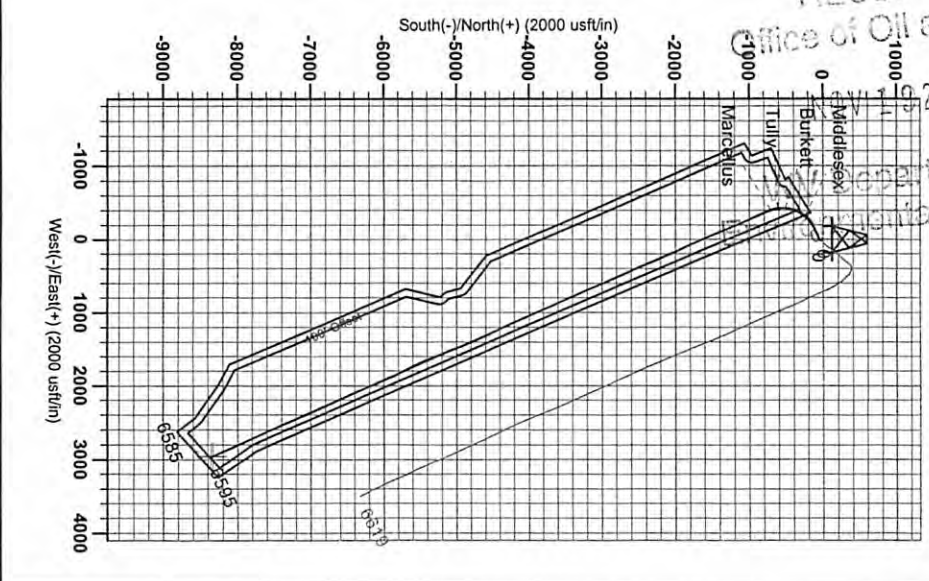
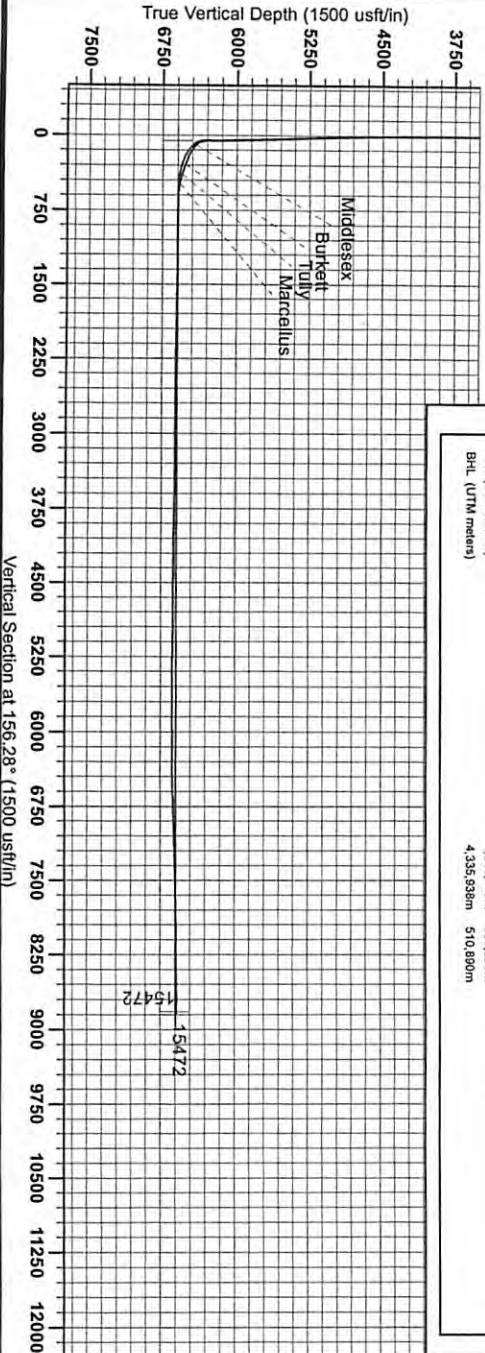
LEGEND

— O'Neil Unit 2H, Original Wellpath, Plan 5 Post Gyro YO
 -□- Original Wellpath

DESIGN TARGET DETAILS (NAD 83)

Name	TVD	+N/S	+E/W	Northing	Easting	Latitude	Longitude
SHL O'Neil Unit 2H	0.0	0.0	0.0	14233111.24	1673146.7739° 11' 43.515 N 80° 53' 4.112 W	2958.614228748 07° 16' 51.053 389° 10' 20' 782 760° 52' 28.665 W	
Actual SHL O'Neil Unit 2H 65655.0							
SHL (UTM meters)				4,338,479m	509,991m		
BHL (UTM meters)				4,335,838m	510,890m		

Genie Lightfoot
 14:42, July 18 2013
 Scientific Drilling
 421 South Eagle Lane
 Oklahoma City, OK



RECEIVED
 Office of Oil and Gas
 July 19 2013
 Department
 Geological Pro

To convert Magnetic North to Grid, Subtract 8.37°
 To convert True North to Grid, Subtract 0.07°

Azimuth to Grid North
 Magnetic North: -8.37°
 Magnetic Field
 Strength: 52492.2aNT
 Dip Angle: 66.03°
 Date: 7/16/2012
 Model: IGRF-2010

01/10/2014