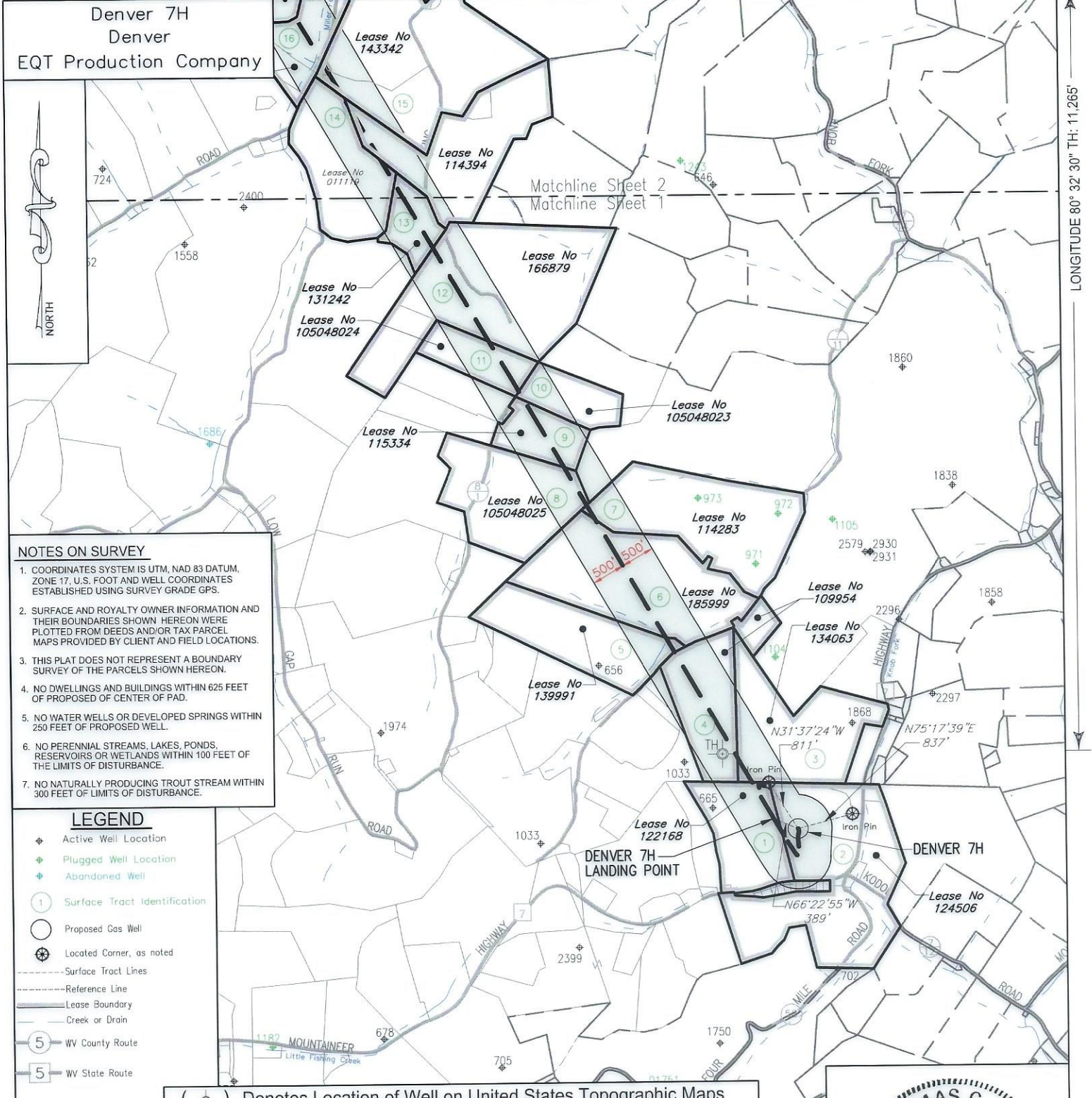


Denver 7H  
Denver  
EQT Production Company



- NOTES ON SURVEY**
1. COORDINATES SYSTEM IS UTM, NAD 83 DATUM, ZONE 17, U.S. FOOT AND WELL COORDINATES ESTABLISHED USING SURVEY GRADE GPS.
  2. SURFACE AND ROYALTY OWNER INFORMATION AND THEIR BOUNDARIES SHOWN HEREON WERE PLOTTED FROM DEEDS AND/OR TAX PARCEL MAPS PROVIDED BY CLIENT AND FIELD LOCATIONS.
  3. THIS PLAT DOES NOT REPRESENT A BOUNDARY SURVEY OF THE PARCELS SHOWN HEREON.
  4. NO DWELLINGS AND BUILDINGS WITHIN 625 FEET OF PROPOSED OF CENTER OF PAD.
  5. NO WATER WELLS OR DEVELOPED SPRINGS WITHIN 250 FEET OF PROPOSED WELL.
  6. NO PERENNIAL STREAMS, LAKES, PONDS, RESERVOIRS OR WETLANDS WITHIN 100 FEET OF THE LIMITS OF DISTURBANCE.
  7. NO NATURALLY PRODUCING TROUT STREAM WITHIN 300 FEET OF LIMITS OF DISTURBANCE.

- LEGEND**
- Active Well Location
  - Plugged Well Location
  - Abandoned Well
  - Surface Tract Identification
  - Proposed Gas Well
  - Located Corner, as noted
  - Surface Tract Lines
  - Reference Line
  - Lease Boundary
  - Creek or Drain
  - WV County Route
  - WV State Route

( ) Denotes Location of Well on United States Topographic Maps



I, the undersigned, hereby certify that this plat is correct to the best of my knowledge and belief and shows all the information required by law and the regulations issued and prescribed by the Department of Environmental Protection.

*Thomas C. Smit*  
L. L. S. 687



SEAL

FILE NO: \_\_\_\_\_  
 DRAWING NO: \_\_\_\_\_  
 SCALE: 1" = 2000'  
 MINIMUM DEGREE OF ACCURACY: 1:2500  
 PROVEN SOURCE OF ELEVATION: NGS CORS Station

STATE OF WEST VIRGINIA  
 DEPARTMENT OF ENVIRONMENTAL PROTECTION  
 OIL AND GAS DIVISION

DATE: MAY 02 20 23  
 OPERATORS WELL NO: Denver 7H  
 API WELL NO: 47 - 103 - 03365  
 STATE COUNTY PERMIT

WELL TYPE:  OIL  GAS  LIQUID INJECTION  WASTE DISPOSAL  
 (IF GAS) PRODUCTION:  STORAGE  DEEP  SHALLOW

LOCATION ELEVATION: 1,351' WATERSHED: LOWER WEST VIRGINIA FORK FISH CREEK QUADRANGLE: LITTLETON  
 DISTRICT: Center COUNTY: Wetzel

SURFACE OWNER: EQT Production Company ACREAGE: 128±  
 ROYALTY OWNER: Bounty Minerals, LLC, et al. LEASE NO: 124506 ACREAGE: 128±

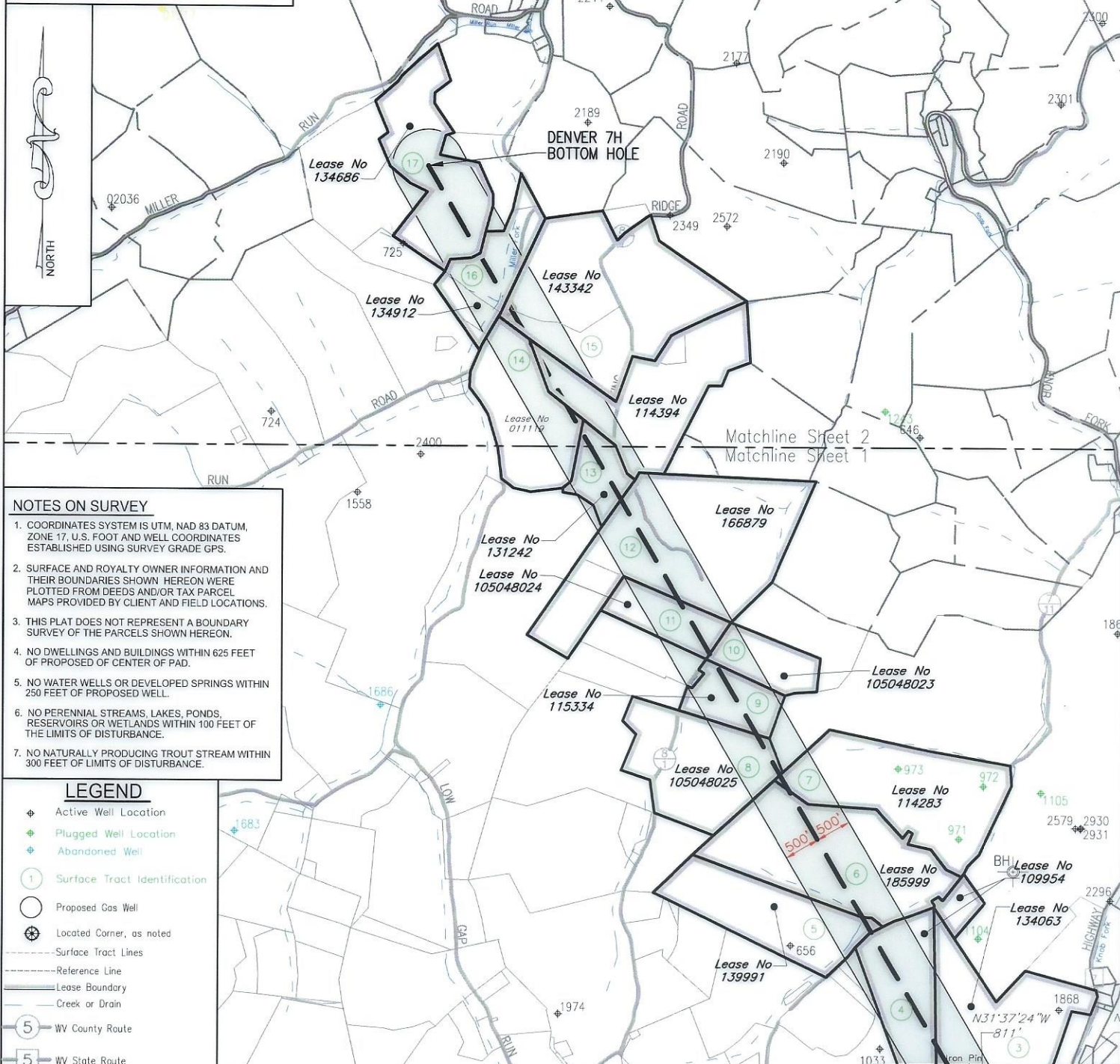
PROPOSED WORK:  DRILL  CONVERT  DRILL DEEPER  FRACTURE OR STIMULATE  PLUG OFF OLD FORMATION  
 PERFORATE NEW FORMATION  OTHER PHYSICAL CHANGE IN WELL (SPECIFY)

PLUG AND ABANDON  CLEAN OUT AND REPLUG TARGET FORMATION: Marcellus ESTIMATED DEPTH: 7,471'

WELL OPERATOR: EQT Production Company DESIGNATED AGENT: Joseph C Mallow  
 ADDRESS: 400 Woodcliff Drive ADDRESS: 427 Midstate Drive  
 Canonsburg, PA 15317 Clarksburg, WV 26301

06/16/2023

Denver 7H  
Denver  
EQT Production Company



**NOTES ON SURVEY**

- COORDINATES SYSTEM IS UTM, NAD 83 DATUM, ZONE 17, U.S. FOOT AND WELL COORDINATES ESTABLISHED USING SURVEY GRADE GPS.
- SURFACE AND ROYALTY OWNER INFORMATION AND THEIR BOUNDARIES SHOWN HEREON WERE PLOTTED FROM DEEDS AND/OR TAX PARCEL MAPS PROVIDED BY CLIENT AND FIELD LOCATIONS.
- THIS PLAT DOES NOT REPRESENT A BOUNDARY SURVEY OF THE PARCELS SHOWN HEREON.
- NO DWELLINGS AND BUILDINGS WITHIN 625 FEET OF PROPOSED OF CENTER OF PAD.
- NO WATER WELLS OR DEVELOPED SPRINGS WITHIN 250 FEET OF PROPOSED WELL.
- NO PERENNIAL STREAMS, LAKES, PONDS, RESERVOIRS OR WETLANDS WITHIN 100 FEET OF THE LIMITS OF DISTURBANCE.
- NO NATURALLY PRODUCING TROUT STREAM WITHIN 300 FEET OF LIMITS OF DISTURBANCE.

- LEGEND**
- ⊕ Active Well Location
  - ⊕ Plugged Well Location
  - ⊕ Abandoned Well
  - ① Surface Tract Identification
  - Proposed Gas Well
  - ⊕ Located Corner, as noted
  - Surface Tract Lines
  - Reference Line
  - Lease Boundary
  - Creek or Drain
  - ⑤ WV County Route
  - ⑤ WV State Route

( ⊕ ) Denotes Location of Well on United States Topographic Maps



I, the undersigned, hereby certify that this plat is correct to the best of my knowledge and belief and shows all the information required by law and the regulations issued and prescribed by the Department of Environmental Protection.

*Thomas C. Smith*  
L. L. S. 687



FILE NO:  
DRAWING NO:  
SCALE: 1" = 2000'  
MINIMUM DEGREE OF ACCURACY: 1:2500  
PROVEN SOURCE OF ELEVATION: NGS CORS Station

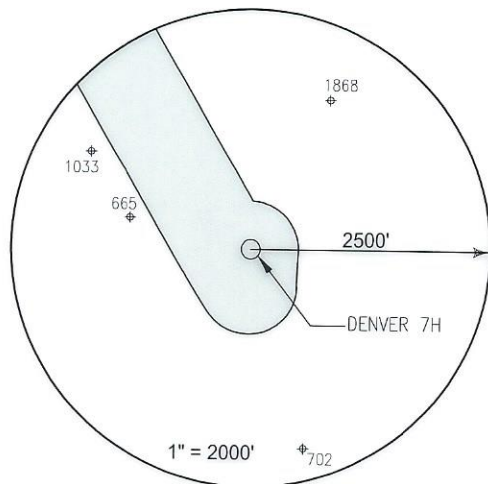
STATE OF WEST VIRGINIA  
DEPARTMENT OF ENVIRONMENTAL PROTECTION  
OIL AND GAS DIVISION

DATE: MAY 02 20 23  
OPERATORS WELL NO: Denver 7H  
API WELL NO: 47 - 103 - 03365  
STATE COUNTY PERMIT

WELL TYPE:  OIL  GAS  LIQUID INJECTION  WASTE DISPOSAL  
(IF GAS) PRODUCTION:  STORAGE  DEEP  SHALLOW  
LOCATION ELEVATION: 1,351' WATERSHED: LOWER WEST VIRGINIA FORK FISH CREEK QUADRANGLE: LITTLETON  
DISTRICT: Center COUNTY: Wetzel  
SURFACE OWNER: EQT Production Company ACREAGE: ~~128±~~ 06/16/2023  
ROYALTY OWNER: Bounty Minerals, LLC, et al. LEASE NO: 124506 ACREAGE: 128±  
PROPOSED WORK:  DRILL  CONVERT  DRILL DEEPER  FRACTURE OR STIMULATE  PLUG OFF OLD FORMATION  
 PERFORATE NEW FORMATION  OTHER PHYSICAL CHANGE IN WELL (SPECIFY)  
 PLUG AND ABANDON  CLEAN OUT AND REPLUG TARGET FORMATION: Marcellus ESTIMATED DEPTH: 7,471'  
WELL OPERATOR: EQT Production Company DESIGNATED AGENT: Joseph C Mallow  
ADDRESS: 400 Woodcliff Drive ADDRESS: 427 Midstate Drive  
Canonsburg, PA 15317 Clarksburg, WV 26301

Denver 7H  
Denver  
EQT Production Company

Tract ID.	Tax Map No.	Parcel No.	County	District	Surface Tract Owner	Acres
1	15	41.0	Wetzel	Center	Margo Coman	39.00
2	16	38.0	Wetzel	Center	EQT Production Company	117.39
3	15	27.1	Wetzel	Center	Harry & Marilyn Kennedy	61.30
4	15	26.0	Wetzel	Center	Thomas Moore & Cora Lynn Childers	50.90
5	15	6.0	Wetzel	Center	Billy L. White	53.39
6	15	7.0	Wetzel	Center	Steven P. Barbe & James R. Barbe	99.00
7	15	7.1	Wetzel	Center	Steven P. Barbe & James R. Barbe	81.75
8	11	37.0	Wetzel	Center	Ray S. Sapp	57.50
9	11	38.0	Wetzel	Center	Dean Wayne Miller	20.30
10	11	39.0	Wetzel	Center	Ray S Sapp	21.75
11	11	33.0	Wetzel	Center	Ray S Sapp	22.50
12	11	22.1	Wetzel	Center	Edith Miller EST	104.50
13	11	21.0	Wetzel	Center	Love E. Jett, II	16.30
14	11	19.0	Wetzel	Center	Roger Gene & Avis Lovern Sapp	62.00
15	11	6.1	Wetzel	Center	Larry L & Lois Jane Deem	94.5
16	11	5.1	Wetzel	Center	Robert E Dorsey Sr.	20
17	8	39.0	Wetzel	Center	Robert E Dorsey Sr.	56.00



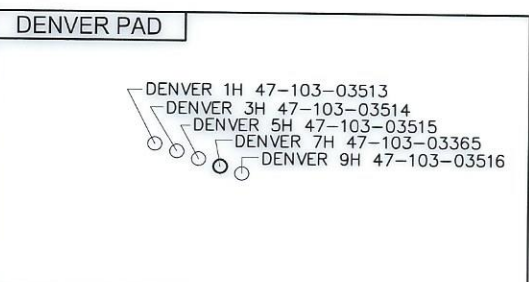
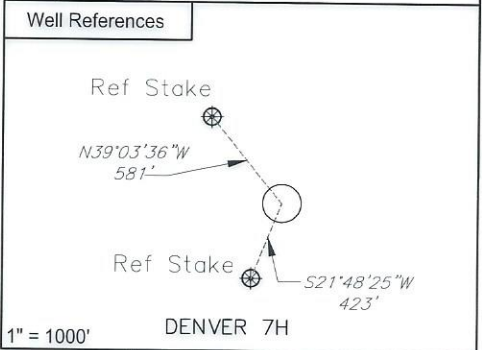
Lease	Owner	Acres
124506	Bounty Minerals, LLC, et al.	128 ac
122168	Ridgetop Royalties, LLC	40 ac
134063	Patricia Haddix, et al.	61.3 ac
109954	Cora Lynn Childers, et al.	50.87813 ac
139991	Golden Eagle Resources II, LLC, et al.	53 ac
185999	William H. Wood, et al.	99 ac
114283	Noble Marcellus LP	81.75 ac
105048025	Ray S. Sapp	57.50 ac
115334	Rodney J. Nichols, et al.	45.8 ac
105048023	Ray S. Sapp, et al.	21.75 ac
105048024	Ray S. Sapp, et al.	22.125 ac
166879	Shiben Estates, Inc.	104.5 ac
131242	Timothy J. Ashcraft, et al.	16.3 ac
011119	Bounty Minerals, LLC	58 ac
114394	Green Dot Farm, Inc., et al.	68 ac
143342	Green Dot Farm, Inc., et al.	125 ac
134912	XTO Energy Inc., et al.	28 ac
134686	Green Dot Farm, Inc., et al.	125 ac

**Notes:**  
DENVER 7H Top Hole coordinates are  
NAD 27 N: 415,392.427 E: 1,701,500.200  
NAD 27 Lat: 39.635658 Long: -80.559899  
NAD 83 UTM N: 4,387,421.867 E: 537,782.232

DENVER 7H Landing Point coordinates are  
NAD 27 N: 415,548.275 E: 1,701,143.802  
NAD 27 Lat: 39.636074 Long: -80.561171  
NAD 83 UTM N: 4,387,467.532 E: 537,672.860

DENVER 7H Bottom Hole coordinates are  
NAD 27 N: 428,721.904 E: 1,693,492.733  
NAD 27 Lat: 39.671988 Long: -80.588902  
NAD 83 UTM N: 4,391,442.043 E: 535,274.976

West Virginia Coordinates system of 1927 (North Zone)  
based upon Differential GPS Measurements  
Plat orientation, Corner and well ties are based upon  
the grid north meridian  
Well location references are based upon the grid north  
meridian.  
UTM coordinates are NAD83, Zone 17, Meters.



I, the undersigned, hereby certify that this plat is correct to the best of my knowledge and belief and shows all the information required by law and the regulations issued and prescribed by the Department of Environmental Protection.

*L. L. S.*  
L. L. S. 687



FILE NO:  
DRAWING NO:  
SCALE: 1" = 1000'  
MINIMUM DEGREE OF ACCURACY:  
1:2500  
PROVEN SOURCE OF ELEVATION:  
NGS CORS Station



DATE: MAY 02 20 23  
OPERATORS WELL NO: Denver 7H  
API WELL NO  
47 - 103 - 03365  
STATE COUNTY PERMIT

WELL TYPE:  OIL  GAS  LIQUID INJECTION  WASTE DISPOSAL  
(IF GAS) PRODUCTION:  STORAGE  DEEP  SHALLOW

LOCATION ELEVATION: 1,351' WATERSHED: LOWER WEST VIRGINIA FORK FISH CREEK QUADRANGLE: LITTLETON  
DISTRICT: Center COUNTY: Wetzel

SURFACE OWNER: EQT Production Company ACREAGE: 117.39 ±  
ROYALTY OWNER: Bounty Minerals, LLC, et al. LEASE NO: 124506 ACREAGE: 128 ±

PROPOSED WORK:  DRILL  CONVERT  DRILL DEEPER  FRACTURE OR STIMULATE  PLUG OFF OLD FORMATION  
 PERFORATE NEW FORMATION  OTHER PHYSICAL CHANGE IN WELL (SPECIFY)  
 PLUG AND ABANDON  CLEAN OUT AND REPLUG TARGET FORMATION: Marcellus ESTIMATED DEPTH: 7,471'

WELL OPERATOR: EQT Production Company DESIGNATED AGENT: Joseph C Mallow  
ADDRESS: 400 Woodcliff Drive ADDRESS: 427 Midstate Drive  
Canonsburg, PA 15317 Clarksburg, WV 26301

06/16/2023