

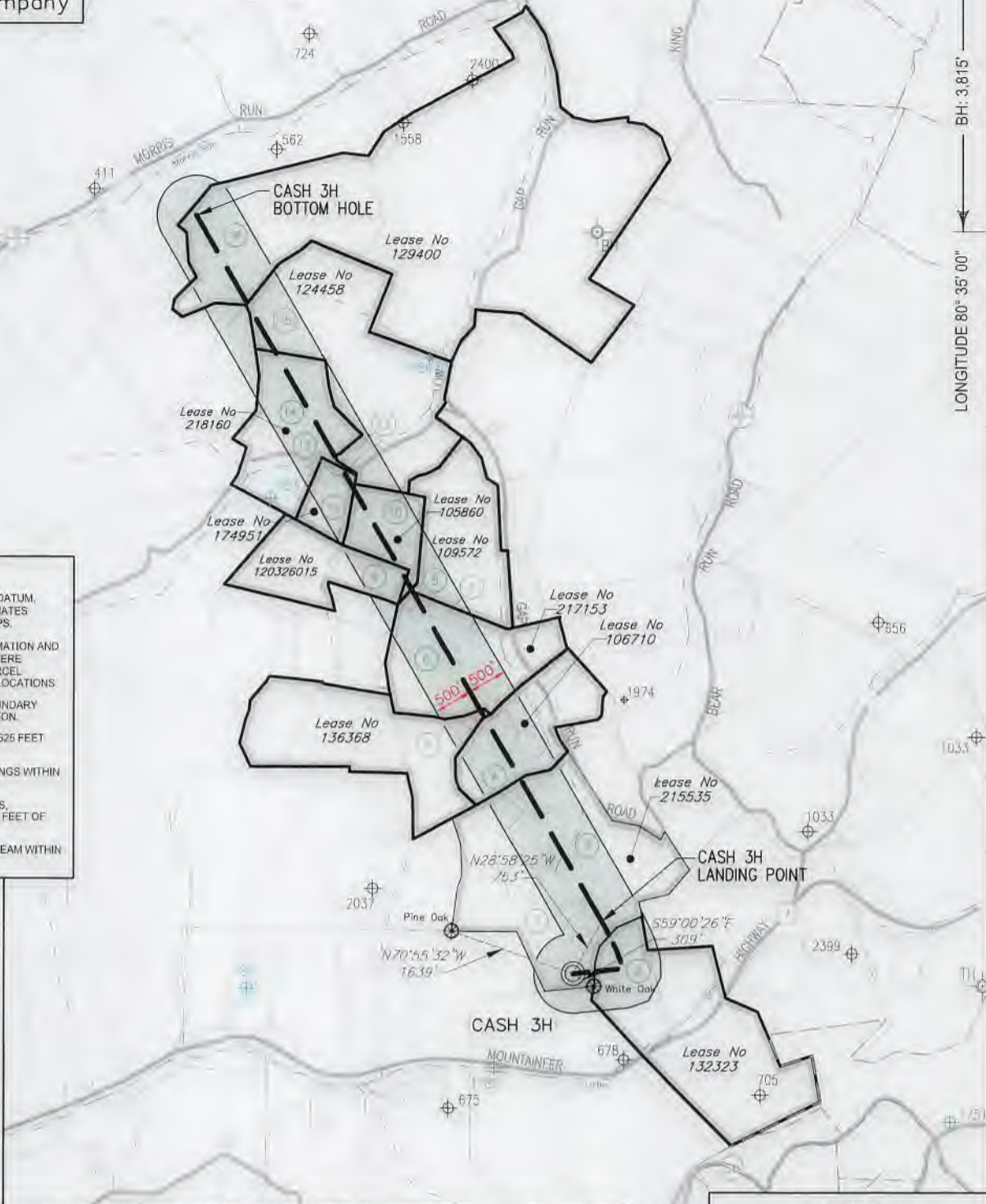
Cash 3H  
Cash  
EQT Production Company



- NOTES ON SURVEY**
1. COORDINATES SYSTEM IS UTM, NAD 83 DATUM, ZONE 17, U.S. FOOT AND WELL COORDINATES ESTABLISHED USING SURVEY GRADE GPS.
  2. SURFACE AND ROYALTY OWNER INFORMATION AND THEIR BOUNDARIES SHOWN HEREON WERE PLOTTED FROM DEEDS AND/OR TAX PARCEL MAPS PROVIDED BY CLIENT AND FIELD LOCATIONS.
  3. THIS PLAT DOES NOT REPRESENT A BOUNDARY SURVEY OF THE PARCELS SHOWN HEREON.
  4. NO DWELLINGS AND BUILDINGS WITHIN 625 FEET OF PROPOSED CENTER OF PAD.
  5. NO WATER WELLS OR DEVELOPED SPRINGS WITHIN 250 FEET OF PROPOSED WELL.
  6. NO PERENNIAL STREAMS, LAKES, PONDS, RESERVOIRS OR WETLANDS WITHIN 100 FEET OF THE LIMITS OF DISTURBANCE.
  7. NO NATURALLY PRODUCING TROUT STREAM WITHIN 300 FEET OF LIMITS OF DISTURBANCE.

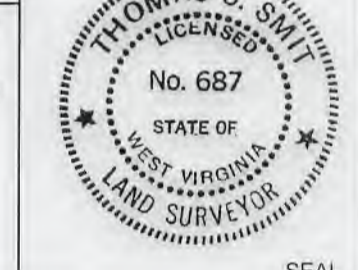
- LEGEND**
- ⊕ Active Well Location
  - ⊕ Inactive Well Location
  - ⊕ Abandoned Well
  - ⊕ Salt Water Well (Hydrofractured)
  - Proposed Gas Well
  - ⊕ Located Corner, un-noted
  - Surface Tract Lines (Surveyed)
  - Surface Tract Lines (Tax Map)
  - Reference Line
  - Lease Boundary
  - Creek or Drain
  - 5 WV County Route
  - 5 WV State Route

( ⊕ ) Denotes Location of Well on United States Topographic Maps



I, the undersigned, hereby certify that this plat is correct to the best of my knowledge and belief and shows all the information required by law and the regulations issued and prescribed by the Department of Environmental Protection.

*Thomas C. Smit*  
L. L. S. 687



FILE NO:  
DRAWING NO:  
SCALE: 1" = 2000'  
MINIMUM DEGREE OF ACCURACY: 1:2500  
PROVEN SOURCE OF ELEVATION: NGS CORS Station

STATE OF WEST VIRGINIA  
DEPARTMENT OF ENVIRONMENTAL PROTECTION  
OIL AND GAS DIVISION

DATE: JULY 12 20 22  
OPERATORS WELL NO: Cash 3H  
API WELL NO: 460  
47 - 103 - 03524  
STATE COUNTY PERMIT

WELL TYPE:  OIL  GAS  LIQUID INJECTION  WASTE DISPOSAL  
(IF GAS) PRODUCTION:  STORAGE  DEEP  SHALLOW  
LOCATION ELEVATION: 1501' WATERSHED: Little Fishing Creek QUADRANGLE: Littleton  
DISTRICT: Center COUNTY: Wetzel  
SURFACE OWNER: John R. & Phyllis R. Bohrer ACREAGE: 52.95 ±  
ROYALTY OWNER: Green Dot Farm, Inc., et al. LEASE NO: 215535 ACREAGE: 121.18±  
PROPOSED WORK:  DRILL  CONVERT  DRILL DEEPER  FRACTURE OR STIMULATE  PLUG OFF OLD FORMATION  
 PERFORATE NEW FORMATION  OTHER PHYSICAL CHANGE IN WELL (SPECIFY)  
 PLUG AND ABANDON  CLEAN OUT AND REPLUG TARGET FORMATION: Marcellus ESTIMATED DEPTH: 7,577'

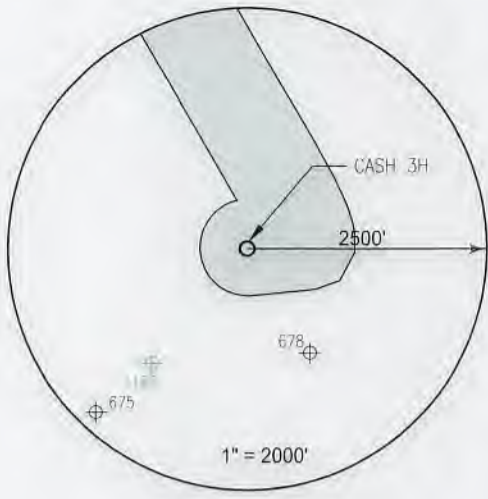
WELL OPERATOR: EQT Production Company DESIGNATED AGENT: Joseph C Mallow  
ADDRESS: 400 Woodcliff Drive ADDRESS: 427 Midstate Drive  
Canonsburg, PA 15317 Clarksburg, WV 26301

08/19/2022

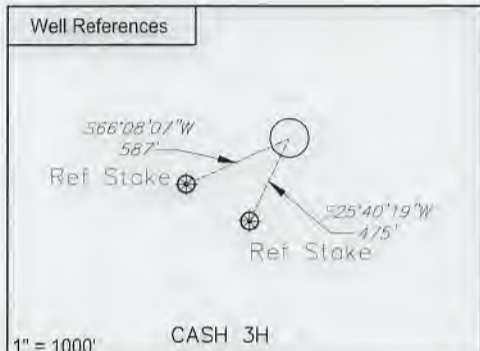


Cash 3H  
Cash  
EQT Production Company

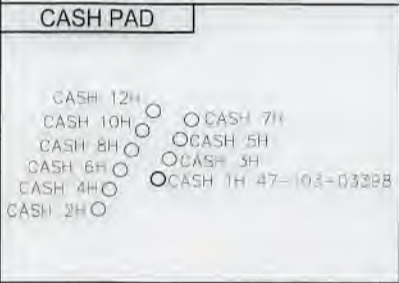
Tract ID.	Tax Map No.	Parcel No.	County	District	Surface Tract Owner	Acres
1	15	58.0	Wetzel	Center	John R. & Phyllis R. Bohrer	52.95
2	15	59.1	Wetzel	Center	Michael D. & Amber N. Amos	24.74
3	15	46.0	Wetzel	Center	Robert E Sr & Brenda S Dorsey	82.00
4	15	31.0	Wetzel	Center	Eleanor M Morris	30.00
5	15	30.0	Wetzel	Center	Owen E. & Saloma D. Schmucker	25.75
6	15	17.0	Wetzel	Center	Jonathan W White	41.50
7	15	16.0	Wetzel	Center	Jonathan W White	5.70
8	15	3.0	Wetzel	Center	Connie S White	47.50
9	15	12.0	Wetzel	Center	Edwin D. Michael	11.10
10	15	2.0	Wetzel	Center	David William Morris	18.50
11	15	65.0	Wetzel	Center	Drilling Appalachian Corporation	13.00
12	15	65.1	Wetzel	Center	Zane A. & Debra K. Sauriol	2.00
13	11	30.1	Wetzel	Center	Randy C. & Windy A. Huggins	3.01
14	11	29.0	Wetzel	Center	Edward M., II & Judith Q. Kauffman, Jeffrey M. Kauffman and Jennifer M. Stake	42.50
15	11	30.0	Wetzel	Center	Edward M., II & Judith Q. Kauffman, Jeffrey M. Kauffman and Jennifer M. Stake	93.48
16	11	15.0	Wetzel	Center	Green Dot Farm, Inc.	133.00



Lease	Owner	Acres
215535	Green Dot Farm, Inc., et al	121.18 ac
132323	AMP IV, LP, et al	100 ac
106710	Adelaide Yvonne Emery Aulich, et al	39.5 ac
136368	Owen E. Schmucker and Saloma D. Schmucker, et al	77.41875 ac
217153	Venable Royalty, LTD and V14, LP	47.144 ac
105860	Stone Hill Minerals Holdings, LLC, et al	18.5 ac of 1,694.69 ac lease
109672	AMP IV, LP, et al	47.5 ac of 369.34 ac lease
120326015	Mary Colleen Olson, et al	125.1625 ac
174951	Green Dot Farm, Inc	15 ac
124458	Dorothy L. Barratt, et al	96 ac
218180	Green Dot Farm, Inc	46.14 ac
129400	Timothy J. Ashcraft, et al	338 ac



**Notes:**  
 CASH 3H coordinates are  
 NAD 27 N: 413,415.969 E: 1,694,696.682  
 NAD 27 Lat: 39.630009 Long: -80.583970  
 NAD 83 UTM N: 4,386,785.047 E: 535,719.460  
 CASH 3H Landing Point coordinates are  
 NAD 27 N: 414,074.736 E: 1,695,061.415  
 NAD 27 Lat: 39.631830 Long: -80.582703  
 NAD 83 UTM N: 4,386,987.607 E: 535,827.240  
 CASH3H Bottom Hole coordinates are  
 NAD 27 N: 422,980.918 E: 1,689,888.830  
 NAD 27 Lat: 39.656107 Long: -80.601454  
 NAD 83 UTM N: 4,389,674.619 E: 534,206.131  
 West Virginia Coordinates system of 1927 (North Zone)  
 based upon Differential GPS Measurements  
 Plat orientation, Corner and well ties are based upon  
 the grid north meridian  
 Well location references are based upon the grid north  
 meridian.  
 UTM coordinates are NAD83, Zone 17, Meters.



I, the undersigned, hereby certify that this plat is correct to the best of my knowledge and belief and shows all the information required by law and the regulations issued and prescribed by the Department of Environmental Protection.

*L. L. S. 687*  
 L. L. S. 687



FILE NO:  
 DRAWING NO:  
 SCALE: 1" = 1000'  
 MINIMUM DEGREE OF ACCURACY:  
 1:2500  
 PROVEN SOURCE OF ELEVATION:  
 NGS CORS Station



DATE: JULY 12 20 22  
 OPERATORS WELL NO: Cash 3H  
 API WELL NO: 47 - 103 - 03524  
 STATE COUNTY PERMIT

WELL TYPE:  OIL  GAS  LIQUID INJECTION  WASTE DISPOSAL  
 (IF GAS) PRODUCTION:  STORAGE  DEEP  SHALLOW  
 LOCATION ELEVATION: 1501' WATERSHED: Little Fishing Creek QUADRANGLE: Littleton  
 DISTRICT: Center COUNTY: Wetzel  
 SURFACE OWNER: John R. & Phyllis R. Bohrer ACREAGE: 52.95 ±  
 ROYALTY OWNER: Green Dot Farm, Inc., et al. LEASE NO: 215535 ACREAGE: 121.18 ±  
 PROPOSED WORK:  DRILL  CONVERT  DRILL DEEPER  FRACTURE OR STIMULATE  PLUG OFF OLD FORMATION  
 PERFORATE NEW FORMATION  OTHER PHYSICAL CHANGE IN WELL (SPECIFY)  
 PLUG AND ABANDON  CLEAN OUT AND REPLUG TARGET FORMATION: Marcellus ESTIMATED DEPTH: 7,577'  
 WELL OPERATOR: EQT Production Company DESIGNATED AGENT: Joseph C. Mallow  
 ADDRESS: 400 Woodcliff Drive ADDRESS: 427 Midstate Drive  
 Canonsburg, PA 15317 Clarksburg, WV 26301

08/19/2022



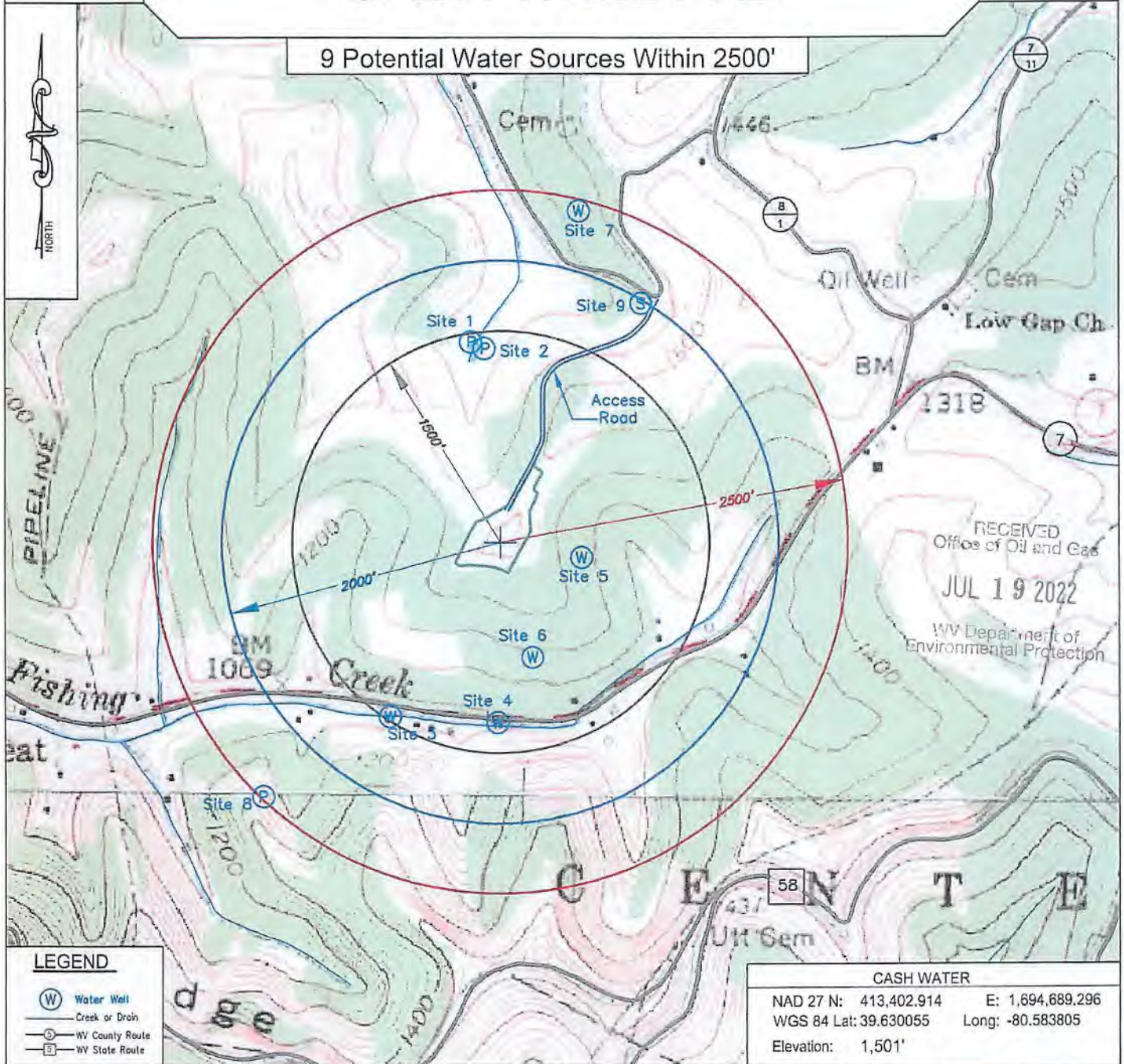
Topo Quad: Littleton  
 County: Wetzel  
 District: Center

Scale: 1"=1000'  
 Date: April 22, 2021  
 Project NO: \_\_\_\_\_

# CASH WELL PAD

Water

9 Potential Water Sources Within 2500'



Keystone Consultants, LLC  
 32 East Main Street  
 Carnegie, PA 15106  
 412 278-2100

Prepared For:  
 EQT Production Company  
 400 Woodcliff Drive  
 Canonsburg, PA 15317

