

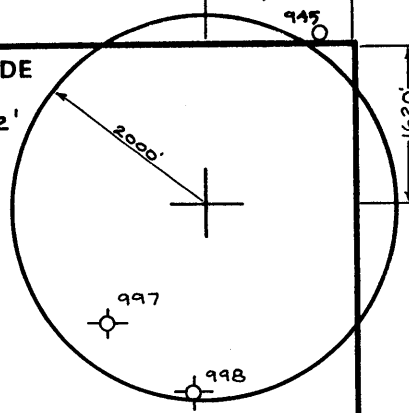
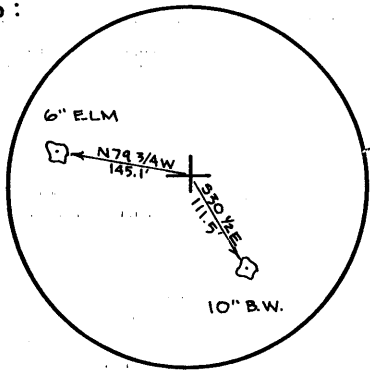
MD 2/1/85

LOCATION TIES:

39-17-30 ←

LATITUDE

7 1/2'



LONGITUDE

81-20-00 ←

L. WESTBROOK

F. MATHENY

R. HOY

L. PUGH

D. OLIVER

25 AC.

27 AC.

(N76 1/2 E 210 P.)

N88-09E
1707'

S73-46E
1019'

S82-04E
1650'

S84-57W
658'

7" PINE IN
RE ON SPINE
OF RIDGE

S56-05E
1766'

(S2W 24 1/4 P.)
CREEK

(S77 1/2 E 9.7 P.)
1/2" I.P.

RIGHT FORK BULL

2" I.P. BASE B.W.

"759"
RD. INT.

NOTE: CALLS SHOWN IN PARENTHESES ARE FROM DEED.

FILE NO. _____
 DRAWING NO. 84165
 SCALE 1" = 500
 MINIMUM DEGREE OF ACCURACY 1:200
 PROVEN SOURCE OF ELEVATION ROAD INT. :
ELEV. = 759

I THE UNDERSIGNED, HEREBY CERTIFY THAT THIS PLAT IS CORRECT TO THE BEST OF MY KNOWLEDGE AND BELIEF AND SHOWS ALL THE INFORMATION REQUIRED BY LAW AND THE REGULATIONS ISSUED AND PRESCRIBED BY THE DEPARTMENT OF MINES.
 (SIGNED) William Ambrose
 R.P.E. _____ L.L.S. 568

PLACE SEAL HERE

(+) DENOTES LOCATION OF WELL ON UNITED STATES TOPOGRAPHIC MAPS

FORM IV-6 (8-78)



DATE 19 DECEMBER, 19 84
 OPERATOR'S WELL NO. CLOVIS #1
 API WELL NO. _____
47 - 107 - 1362
 STATE COUNTY PERMIT

STATE OF WEST VIRGINIA
 DEPARTMENT OF MINES
 OIL AND GAS DIVISION

CANCELLED

WELL TYPE: OIL GAS LIQUID INJECTION _____ WASTE DISPOSAL _____
 (IF "GAS,") PRODUCTION STORAGE _____ DEEP _____ SHALLOW _____
 LOCATION: ELEVATION 816' WATER SHED RIGHT FORK BULL CREEK
 DISTRICT UNION COUNTY WOOD
 QUADRANGLE WILLOW ISLAND
 SURFACE OWNER GORDON CLOVIS, ET UX. ACREAGE 52
 OIL & GAS ROYALTY OWNER _____ LEASE ACREAGE _____
 LEASE NO. _____
 PROPOSED WORK: DRILL CONVERT _____ DRILL DEEPER _____ REDRILL _____ FRACTURE OR STIMULATE _____ PLUG OFF OLD FORMATION _____ PERFORATE NEW FORMATION _____ OTHER PHYSICAL CHANGE IN WELL (SPECIFY) _____

PLUG AND ABANDON _____ CLEAN OUT AND REPLUG _____
 TARGET FORMATION DEVONIAN SHALE ESTIMATED DEPTH 5000'
 WELL OPERATOR CUYAHOGA EXPLORATION DESIGNATED AGENT ROGER HUNTER
 ADDRESS ROUTE 1 MARIETTA ADDRESS P.O. BOX 1386 CHARLESTON
OHIO 201 45750 WEST VIRGINIA 25325

JUN 29 1987

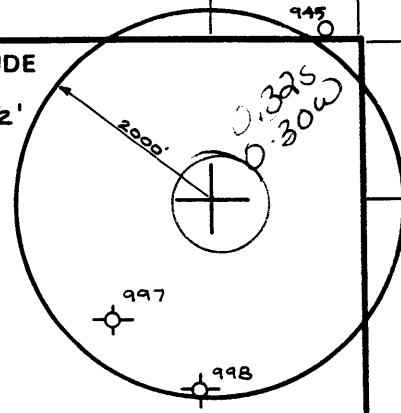
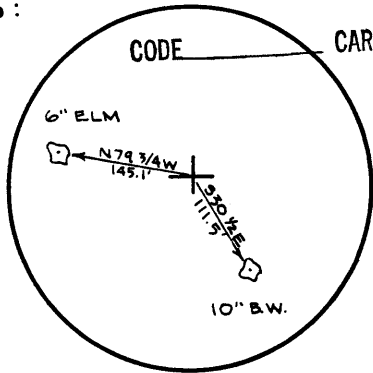
WOOD 1362

LOCATION TIES:

39-17-30 ←

LATITUDE

7 1/2'



L. WESTBROOK

(N76 1/2 E 210 P.)

27 AC.

F. MATHENY

25 AC.

N88-09E 1707'

S73-46E 1019'

S82-04E 1670'

S84-57W 658'

S56-05E 1766'

7" PINE IN RE ON SPINE OF RIDGE

CREEK (S2N 24 1/4 P.)

RIGHT FORK BULL CREEK

2" I.P. BASE B.W.

R. HOY

L. PUGH

D. OLIVER

759' RD. INT.

NOTE: CALLS SHOWN IN PARENTHESES ARE FROM DEED.

FILE NO. _____
 DRAWING NO. 84165
 SCALE 1" = 500
 MINIMUM DEGREE OF ACCURACY 1:200
 PROVEN SOURCE OF ELEVATION ROAD INT.
ELEV. = 759

I THE UNDERSIGNED, HEREBY CERTIFY THAT THIS PLAT IS CORRECT TO THE BEST OF MY KNOWLEDGE AND BELIEF AND SHOWS ALL THE INFORMATION REQUIRED BY LAW AND THE REGULATIONS ISSUED AND PRESCRIBED BY THE DEPARTMENT OF MINES.

(SIGNED) William Ambrose
 R.P.E. _____ L.L.S. 568

PLACE SEAL HERE

(+) DENOTES LOCATION OF WELL ON UNITED STATES TOPOGRAPHIC MAPS

FORM IV-6 (8-78)



DATE 19 DECEMBER, 19 84
 OPERATOR'S WELL NO. CLOVIS #1
 API WELL NO. _____
47-107 - 1362
 STATE COUNTY PERMIT

STATE OF WEST VIRGINIA
 DEPARTMENT OF MINES
 OIL AND GAS DIVISION

WELL TYPE: OIL GAS LIQUID INJECTION _____ WASTE DISPOSAL _____
 (IF "GAS,") PRODUCTION STORAGE _____ DEEP _____ SHALLOW _____

LOCATION: ELEVATION 816' WATER SHED RIGHT FORK BULL CREEK
 DISTRICT UNION 8 COUNTY WOOD
 QUADRANGLE WILLOW ISLAND Marietta 15' 073 sc8

SURFACE OWNER GORDON CLOVIS, ET UX. 68% ACREAGE 52

OIL & GAS ROYALTY OWNER _____ LEASE ACREAGE _____

PROPOSED WORK: DRILL CONVERT _____ DRILL DEEPER _____ REDRILL FRACTURE OR STIMULATE _____ PLUG OFF OLD FORMATION _____ PERFORATE NEW FORMATION _____ OTHER PHYSICAL CHANGE IN WELL (SPECIFY) _____

PLUG AND ABANDON _____ CLEAN OUT AND REPLUG _____
 TARGET FORMATION DEVONIAN SHALE ESTIMATED DEPTH 5000'
 WELL OPERATOR CUYAHOGA EXPLORATION DESIGNATED AGENT ROGER HUNTER
 ADDRESS ROUTE 1 MARIETTA ADDRESS P.O. BOX 1386 CHARLESTON
261 OHIO 45750 WEST VIRGINIA 25325

MAR 25 1985

RECEIVED

12 1985



1) Date: January 24, 19 85
 2) Operator's Well No. Clovis #1
 3) API Well No. 47 - 1078 - 1362
 State County Permit

**OIL & GAS DIV.
DEPT. OF MINES**

**STATE OF WEST VIRGINIA
DEPARTMENT OF MINES, OIL AND GAS DIVISION
APPLICATION FOR A WELL WORK PERMIT**

- 4) WELL TYPE: A Oil / Gas
 B (If "Gas", Production / Underground storage / Deep / Shallow)
 5) LOCATION: Elevation: 816' Watershed: Right Fork Bull Creek
 District: Union County: Wetzel ~~Lincoln~~ Wood Quadrangle: Willow Island
 6) WELL OPERATOR Cuyahoga Exp. & Dev. Corp 7) DESIGNATED AGENT Roger Hunter
 Address Route #1 Address P. O. Box 1386
Marietta, OH 45750 12/25 Charleston, WV 25325
 8) OIL & GAS INSPECTOR TO BE NOTIFIED 9) DRILLING CONTRACTOR:
 Name Glen Robinson Name not yet determined
 Address Rt. 1, #6 Mr. Pleasants Estates Address _____
Mineral Wells, WV 26150
 10) PROPOSED WELL WORK: Drill / Drill deeper / Redrill / Stimulate
 Plug off old formation / Perforate new formation
 Other physical change in well (specify) _____
 11) GEOLOGICAL TARGET FORMATION, Devonian Shale/Benson Formation
 12) Estimated depth of completed well, 5,000 feet
 13) Approximate trata depths: Fresh, 2,106 feet; salt, 1,500 feet.
 14) Approximate coal seam depths: not applicable Is coal being mined in the area? Yes / No

15) CASING AND TUBING PROGRAM

CASING OR TUBING TYPE	SPECIFICATIONS				FOOTAGE INTERVALS		CEMENT FILL-UP OR SACKS (Cubic feet)	PACKERS
	Size	Grade	Weight per ft.	New	Used	For drilling		
Conductor	11 3/4		38.0	X		60'	60'	Kinds <u>TS NEAT</u>
Fresh water	9 5/8		36.0	X		200'	200'	
Coal								Sizes
Intermediate	7		20.0	X		2500'	2500'	300 sacks
Production	4.5		10.5	X		5000'	5000'	300 sacks
Tubing								Perforations: <u>as required by rule 1501</u>
Liners								

**OFFICE USE ONLY
DRILLING PERMIT**

Permit number 47-107-1362

March 19, 19 85
Date

This permit covering the well operator and well location shown below is evidence of permission granted to drill in accordance with the pertinent legal requirements subject to the conditions contained herein and on the reverse hereof. Notification must be given to the District Oil and Gas Inspector, (Refer to No. 8) Prior to the construction of roads, locations and pits for any permitted work. In addition, the well operator or his contractor shall notify the proper district oil and gas inspector 24 hours before actual permitted work has commenced.)

The permitted work is as described in the Notice and Application, plat, and reclamation plan, subject to any modifications and conditions specified on the reverse hereof.

Permit expires March 19, 1987 unless well work is commenced prior to that date and prosecuted with due diligence.

Bond:	Agent:	Plat:	Casing	Fee
<u>52</u>	<u>mx/mk</u>	<u>MA 1219</u>		

Margaret J. Lissi
Administrator, Office of Oil and Gas

NOTE: Keep one copy of this permit posted at the drilling location.

See the reverse side of the APPLICANT'S COPY for instructions to the well operator.

File